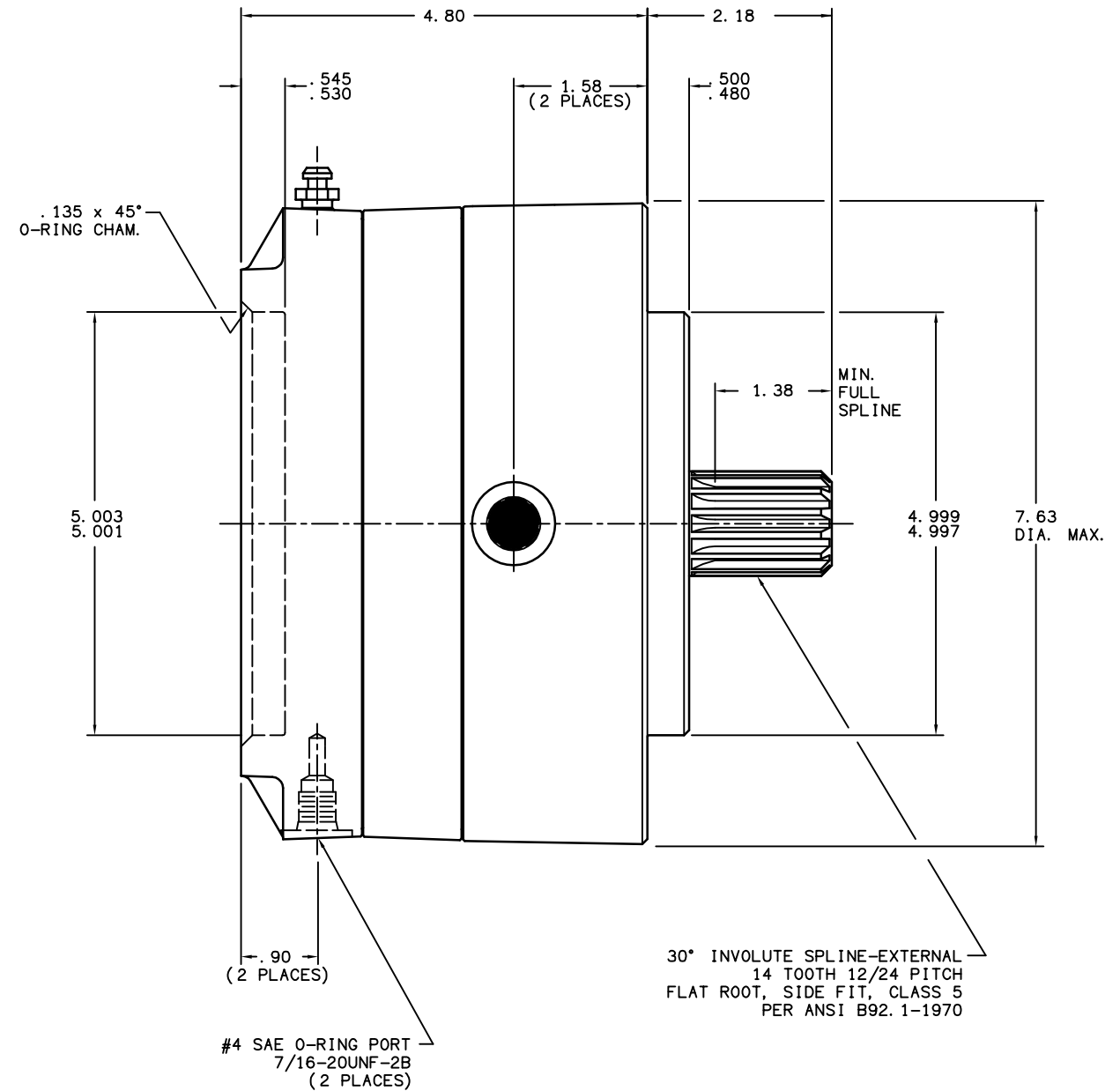
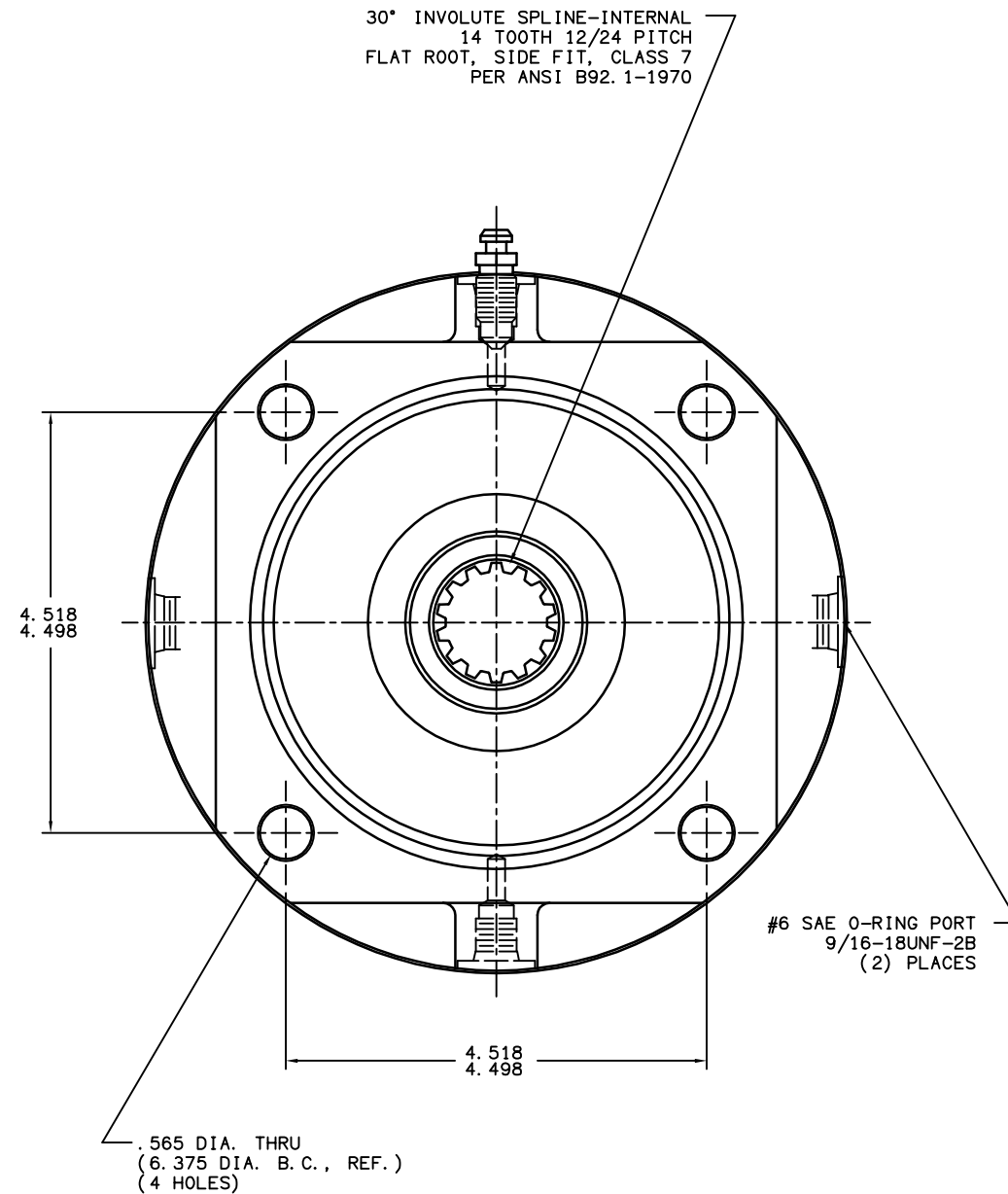


PART NUMBER  
13-547-108  
NPI OR ECN NO.  
ECO S-1686



**NOTES:**

- 1.) LINING REPAIR KIT P/N 12-501-004
- 2.) BEARING REPAIR KIT P/N 12-501-006
- 3.) O-RING REPAIR KIT P/N 12-501-002
- 4.) SPRING REPAIR KIT P/N 12-501-008

**SPECIFICATIONS:**

TYPE: WET MULTIPLE DISC BRAKE, SPRING APPLY, HYDRAULIC RELEASE

TORQUE RATING: WET 6,500 LB-IN STATIC (BREAKAWAY) AT 0 PSI BACK PRESSURE  
DRY 9,800 LB-IN DRY TORQUE FOR BRAKE RATING & SPECIFICATIONS ONLY

RELEASE PRESSURE: 210 PSI INITIAL, 290 PSI FULL

MAXIMUM OPERATING PRESSURE: 3,000 PSI

MAXIMUM SPEED: 3,900 RPM

APPROXIMATE WEIGHT: 40 LBS.

FOR USE WITH MINERAL BASE HYDRAULIC OIL ONLY.

**COOLING OIL RECOMMENDATIONS:**

OIL TYPE: MINERAL BASE HYDRAULIC  
OIL SUCH AS MOBIL DTE 24,  
CITGO A/W 32 OR EQUIVALENT

FLOW THRU CAPACITY: 1.0 - 7.0 GPM

MAXIMUM CASE PRESSURE: 15 PSI

SUMP OIL VOLUME:  
HORIZONTAL: 4 FL. OZ.  
VERTICAL: CONTACT FACTORY



COMPONENT AND SYSTEM RECOMMENDATIONS MADE BY MICO, INC. ARE BASED ON INFORMATION SUPPLIED BY POTENTIAL USER AND/OR SYSTEM DESIGNER. THE POTENTIAL USER AND/OR DESIGNER MUST MAKE FINAL ACCEPTANCE AND APPROVAL OF COMPONENTS AND SYSTEM AFTER TESTING PERFORMANCE ON AN ACTUAL APPLICATION FOR WHICH SYSTEM WAS DESIGNED.

MICO, INC. CLAIMS PROPRIETARY RIGHTS TO THE MATERIAL DISCLOSED IN THIS DOCUMENT. THIS DOCUMENT IS PROVIDED IN CONFIDENCE AND MAY NOT BE REPRODUCED OR DISCLOSED WITHOUT WRITTEN PERMISSION FROM MICO, INC. COPYRIGHT MICO, INC. ALL RIGHTS RESERVED.

TITLE MULTIPLE DISC BRAKE 3C-141498-CZ			
SCALE 1:2	CHECKED G. J. 03/07/03	PART NUMBER 13-547-108	REV D
DRN G. J. 9/23/98	APP ENG GAA 03/06/03	CUSTOMER COPY	