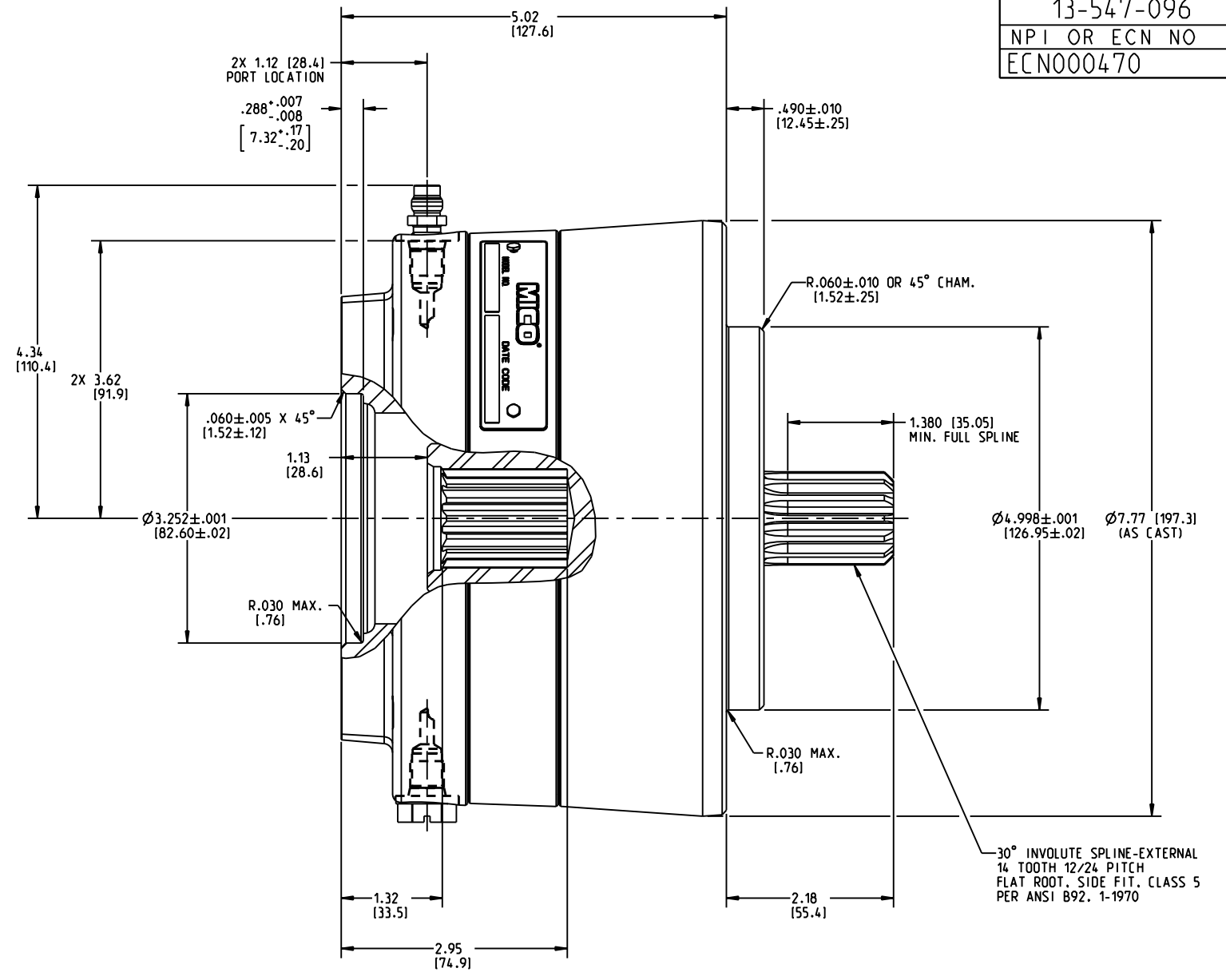
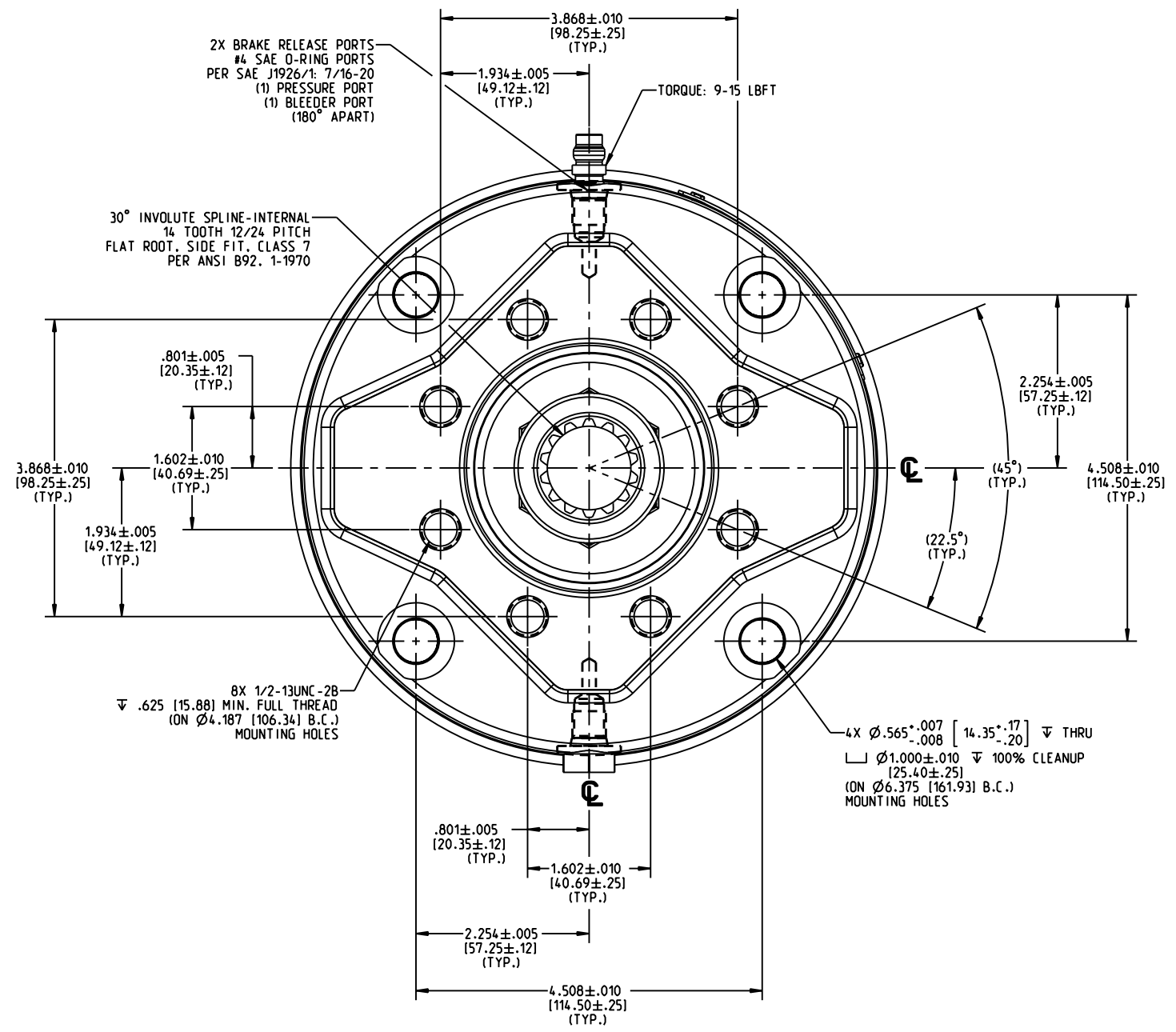


DRAWING NUMBER
13-547-096
NPI OR ECN NO
ECN000470



- NOTES:**
1. USE MINERAL BASE HYDRAULIC OIL ONLY FOR BRAKE RELEASE.
 2. DIMENSIONS MAY VARY BETWEEN UNITS AND ARE FOR REFERENCE PURPOSES ONLY. MILLIMETER VALUES MAY NOT BE AN EXACT CONVERSION OF INCH VALUES
 3. LINING REPAIR KIT P/N 12-501-004
 4. BEARING REPAIR KIT P/N 12-501-006
 5. O-RING REPAIR KIT P/N 12-501-002
 6. SPRING REPAIR KIT P/N 12-501-008

SPECIFICATIONS:

TYPE: DRY MULTIPLE DISC BRAKE, SPRING APPLY, HYDRAULIC RELEASE

TORQUE RATING: 8,000 LBIN STATIC (BREAKAWAY) AT 0 PSI BACK PRESSURE
ACTUAL TORQUE MAY VARY BY UP TO 10% DUE TO MANUFACTURING TOLERANCES.

RELEASE PRESSURE: 180 PSI INITIAL, 250 PSI FULL

MAXIMUM OPERATING PRESSURE: 3,000 PSI

MAXIMUM SPEED: 3,900 RPM

LINING MATERIAL: SINTERED BRONZE

APPROXIMATE WEIGHT: 40 LB

INCH
(MILLIMETER)

MICO[®]
North Mankato, Minnesota USA

SCALE 0.500	TITLE 3C-141480-M MULTIPLE DISC BRAKE	SIZE B	DRAWING NUMBER 13-547-096	REV F
DWN RGBSI 2012-06-29	APVD PROD ENGRG PJS 2012-10-11		CUSTOMER COPY	
X NO	APVD ENGRG BLF 2012-09-20			

COMPONENT AND SYSTEM RECOMMENDATIONS MADE BY MICO, INC ARE BASED ON INFORMATION SUPPLIED BY POTENTIAL USER AND/OR SYSTEM DESIGNER. THE POTENTIAL USER AND/OR DESIGNER MUST MAKE FINAL ACCEPTANCE AND APPROVAL OF COMPONENTS AND SYSTEM AFTER TESTING PERFORMANCE ON AN ACTUAL APPLICATION FOR WHICH SYSTEM WAS DESIGNED.

MICO, INC CLAIMS PROPRIETARY RIGHTS TO THE MATERIAL DISCLOSED IN THIS DOCUMENT. THIS DOCUMENT IS PROVIDED IN CONFIDENCE AND MAY NOT BE REPRODUCED OR DISCLOSED WITHOUT WRITTEN PERMISSION FROM MICO, INC. COPYRIGHT MICO, INC. ALL RIGHTS RESERVED.