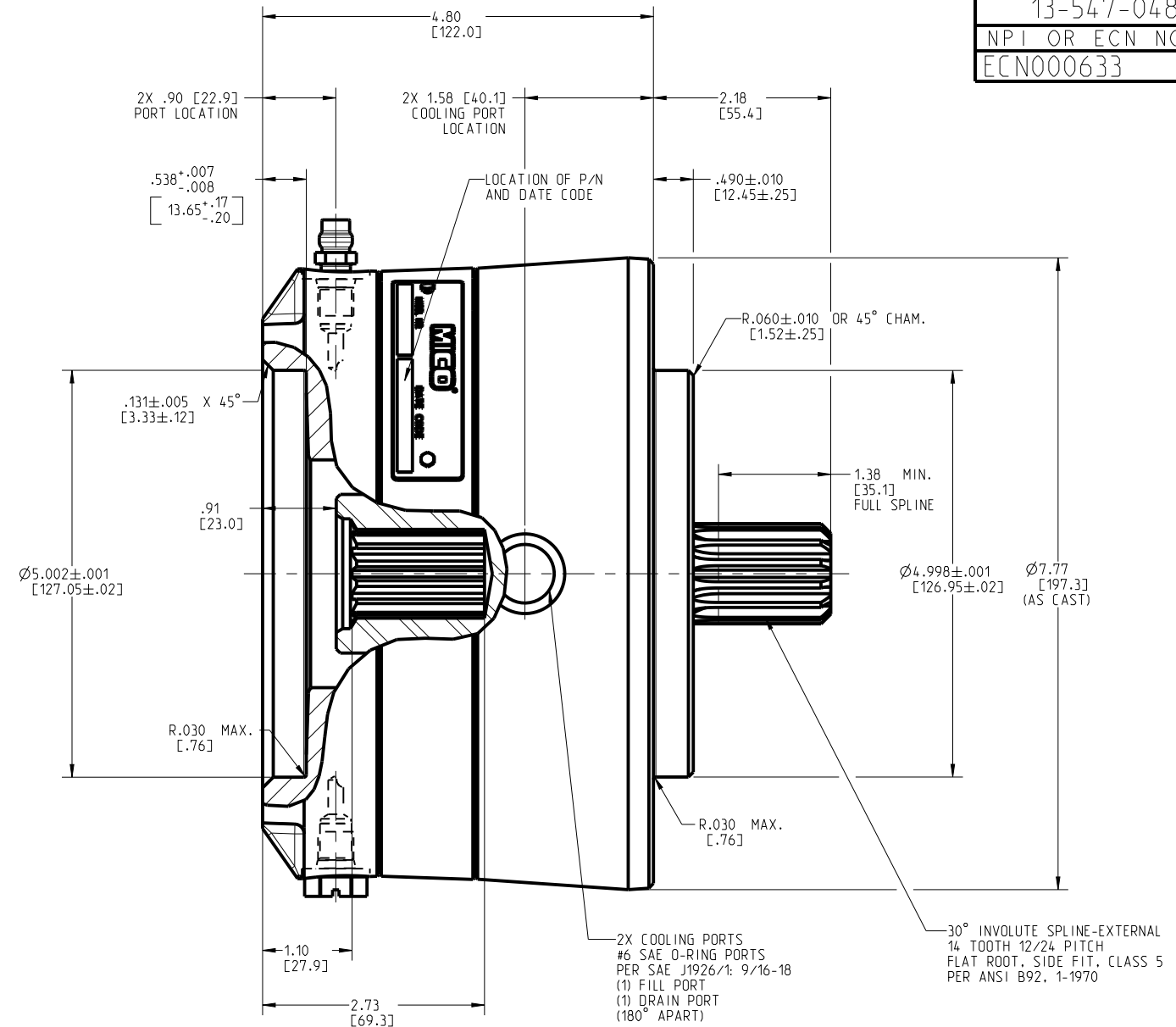
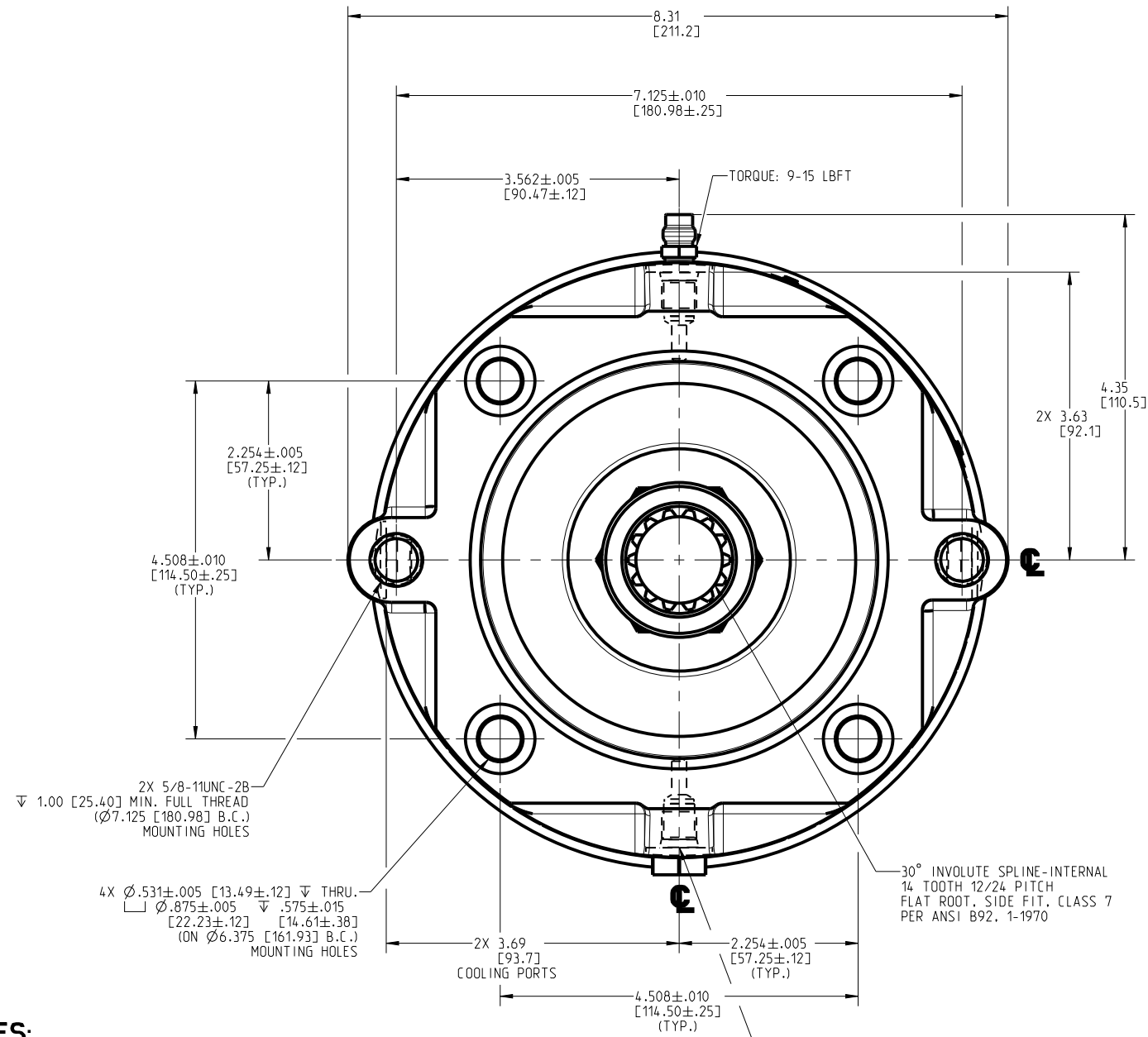


DRAWING NUMBER
13-547-048
NPI OR ECN NO
ECN000633



NOTES:

- FOR USE WITH MINERAL BASE HYDRAULIC OIL ONLY.
- COOLING OIL (SUMP OR FLOW THRU)
RECOMMENDATION: MOBIL DTE 24, CITGO A/W 32 OR EQUIVALENT
- DIMENSIONS MAY VARY BETWEEN UNITS AND ARE TO BE USED FOR REFERENCE PURPOSES ONLY
MILLIMETER VALUES MAY NOT BE AN EXACT CONVERSION OF INCH VALUES.
- LINING REPAIR KIT P/N 12-501-004
- BEARING REPAIR KIT P/N 12-501-006
- O-RING REPAIR KIT P/N 12-501-002
- SPRING REPAIR KIT P/N 12-501-008

- 2X BRAKE RELEASE PORTS
#4 SAE O-RING PORTS
PER SAE J1926/1: 7/16-20
(1) PRESSURE PORT
(1) BLEEDER PORT
(180° APART)

SPECIFICATIONS:

TYPE: WET MULTIPLE DISC BRAKE, SPRING APPLY, HYDRAULIC RELEASE

TORQUE RATING: WET 6,500 LBIN STATIC (BREAKAWAY) AT 0 PSI BACK PRESSURE
ACTUAL TORQUE MAY VARY BY UP TO 10% DUE TO MANUFACTURING TOLERANCES.

RELEASE PRESSURE: 210 PSI INITIAL, 290 PSI FULL

FLOW THRU CAPACITY: 1.0 - 7.0 GPM

MAXIMUM OPERATING PRESSURE: 3,000 PSI

MAXIMUM CASE PRESSURE: 15 PSI

SUMP OIL VOLUME: HORIZONTAL SHAFT - 4 FL OZ
VERTICAL SHAFT - CONTACT FACTORY

MAXIMUM SPEED: 3,900 RPM

LINING MATERIAL: SINTERED BRONZE

APPROXIMATE WEIGHT: 40 LB

INCH
[MILLIMETER]



COMPONENT AND SYSTEM RECOMMENDATIONS MADE BY MICO, INC ARE BASED ON INFORMATION SUPPLIED BY POTENTIAL USER AND/OR SYSTEM DESIGNER. THE POTENTIAL USER AND/OR DESIGNER MUST MAKE FINAL ACCEPTANCE AND APPROVAL OF COMPONENTS AND SYSTEM AFTER TESTING PERFORMANCE ON AN ACTUAL APPLICATION FOR WHICH SYSTEM WAS DESIGNED.		MICO, INC CLAIMS PROPRIETARY RIGHTS TO THE MATERIAL DISCLOSED IN THIS DOCUMENT. THIS DOCUMENT IS PROVIDED IN CONFIDENCE AND MAY NOT BE REPRODUCED OR DISCLOSED WITHOUT WRITTEN PERMISSION FROM MICO, INC. COPYRIGHT MICO, INC. ALL RIGHTS RESERVED.	
SCALE 0.500	TITLE 3C-141498-C24Z MULTIPLE DISC BRAKE	SIZE B	DRAWING NUMBER 13-547-048
DWNSHYPO 2015-09-15	APVD PROD ENGRG PJS 2015-10-22	REV H	CUSTOMER COPY
X NO X6520	APVD ENGRG RV 2015-09-24		