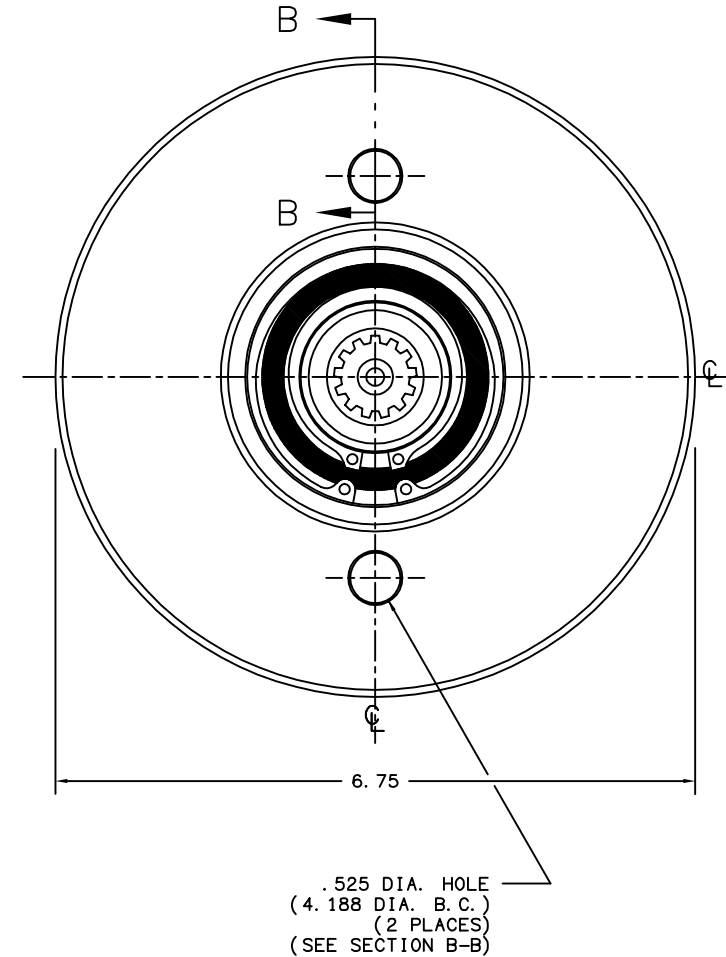
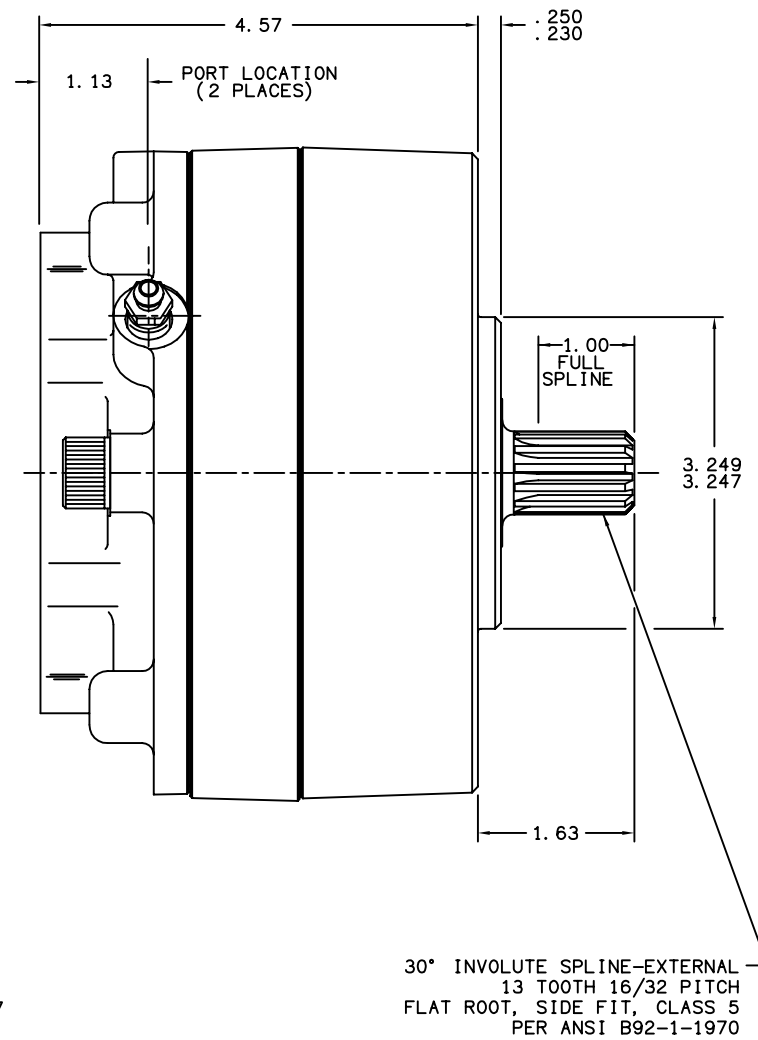
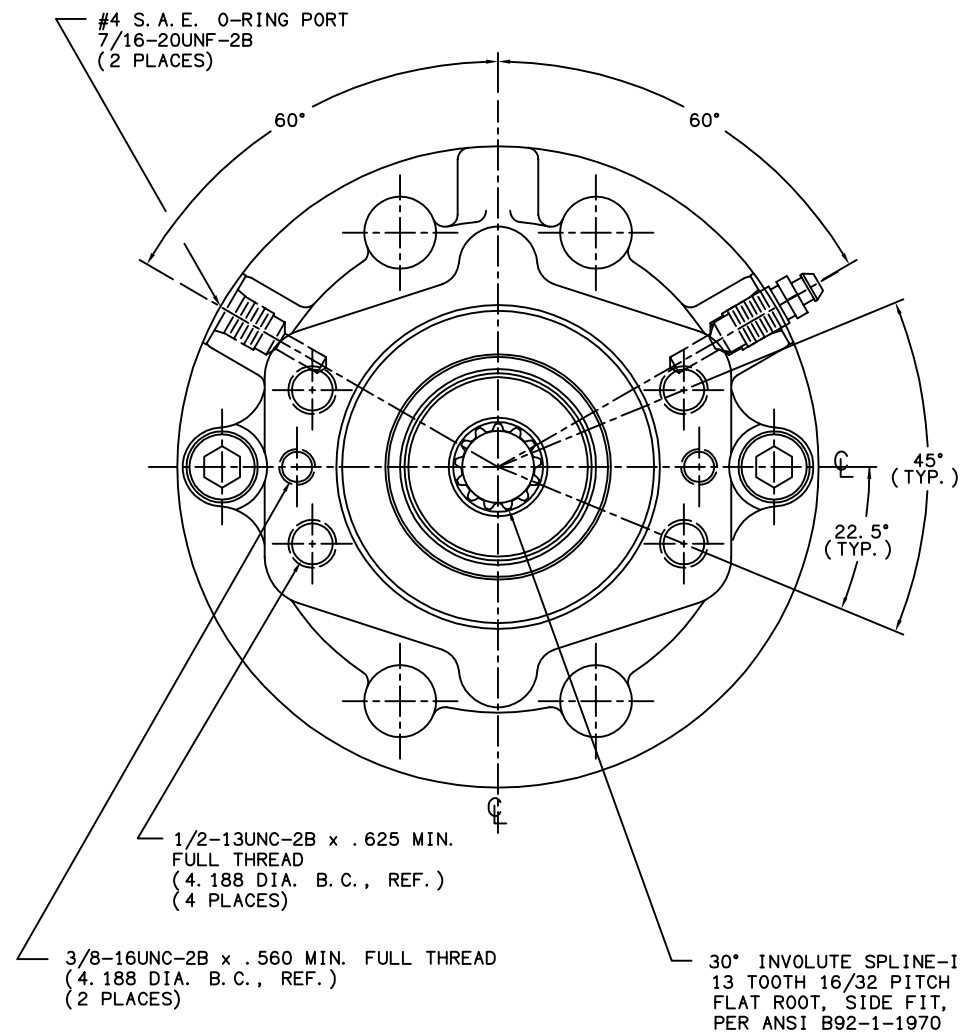


PART NUMBER  
13-538-388  
NPI OR ECN NO.  
ECO S-1729



**NOTES:**

- 1) ITEMS INCLUDED IN LINING REPAIR KIT P/N 12-501-245
- 2) ITEMS INCLUDED IN BEARING REPAIR KIT P/N 12-501-242
- 3) ITEMS INCLUDED IN O-RING REPAIR KIT P/N 12-501-246
- 4) ITEMS INCLUDED IN SPRING REPAIR KIT P/N 12-501-244
- 5) REFER TO INSTALLATION SHEET #81-538-002 (SUPPLIED WITH BRAKE) FOR FURTHER MOUNTING INSTRUCTIONS.

**SPECIFICATIONS:**

**TYPE:** DRY MULTIPLE DISC BRAKE, SPRING APPLY, HYDRAULIC RELEASE

**TORQUE RATING:** 3,500 IN. LBS. STATIC (BREAKAWAY) AT 0 PSI BACK PRESSURE

**RELEASE PRESSURE:** 170 PSI INITIAL, 200 PSI FULL

**MAXIMUM OPERATING PRESSURE:** 3,000 PSI

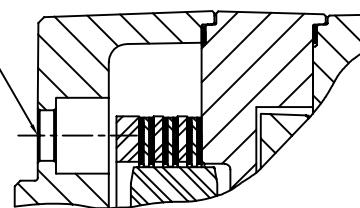
**MAXIMUM SPEED:** 3,900 R. P. M.

**LINING MATERIAL:** SINTERED BRONZE

**APPROXIMATE WEIGHT:** 27 LBS.

FOR USE WITH MINERAL BASE HYDRAULIC OIL ONLY

MOUNTING HOLES FOR 1/2-13UNC  
SOCKET HEAD CAP SCREWS  
(SEE NOTE #5)



SECTION B-B



TITLE MULTIPLE DISC BRAKE  
3A-131335-M

COMPONENT AND SYSTEM RECOMMENDATIONS MADE BY MICO, INC. ARE BASED ON INFORMATION SUPPLIED BY POTENTIAL USER AND/OR SYSTEM DESIGNER. THE POTENTIAL USER AND/OR DESIGNER MUST MAKE FINAL ACCEPTANCE AND APPROVAL OF COMPONENTS AND SYSTEM AFTER TESTING PERFORMANCE ON AN ACTUAL APPLICATION FOR WHICH SYSTEM WAS DESIGNED.		MICO, INC. CLAIMS PROPRIETARY RIGHTS TO THE MATERIAL DISCLOSED IN THIS DOCUMENT. THIS DOCUMENT IS PROVIDED IN CONFIDENCE AND MAY NOT BE REPRODUCED OR DISCLOSED WITHOUT WRITTEN PERMISSION FROM MICO, INC. COPYRIGHT MICO, INC. ALL RIGHTS RESERVED.	
SCALE 1:2	CHECKED	PART NUMBER 13-538-388	REV B
DRN G. J. 11/04/02	APP ENG	CUSTOMER COPY	