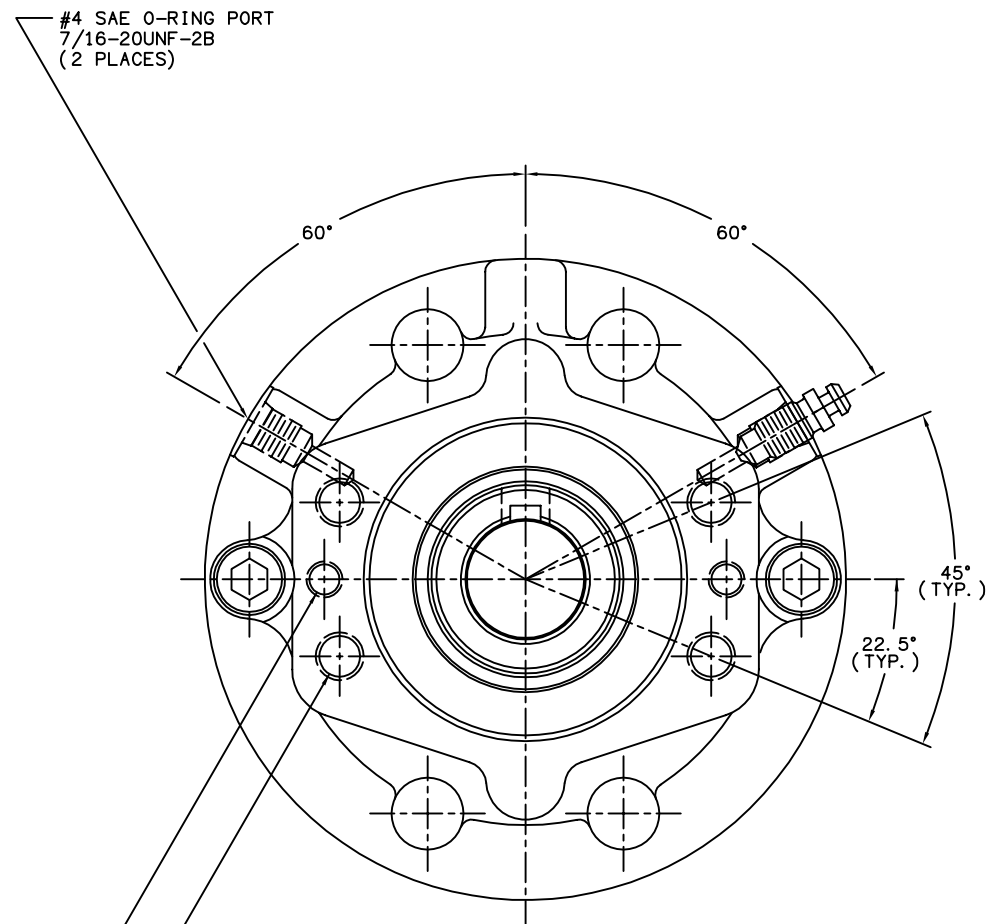
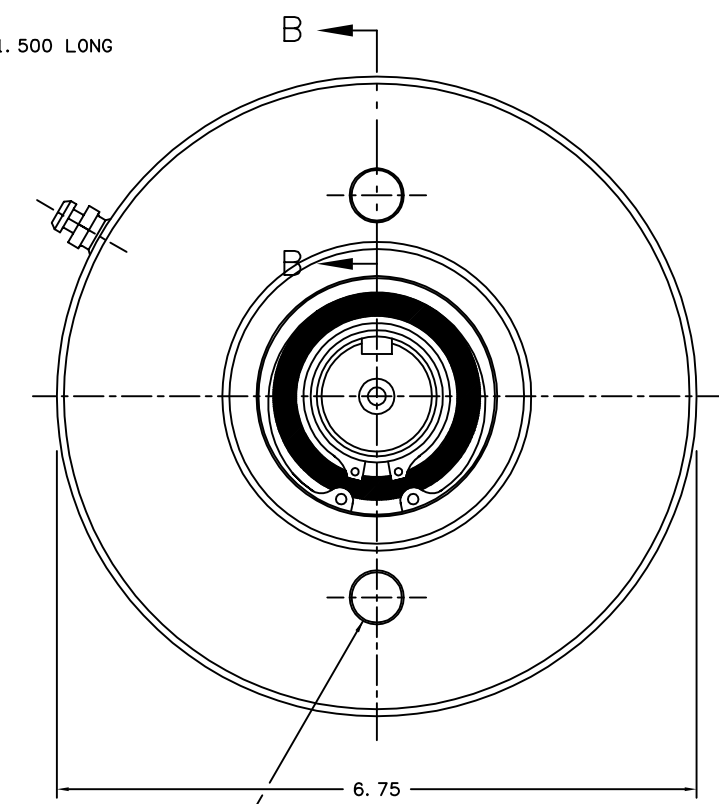
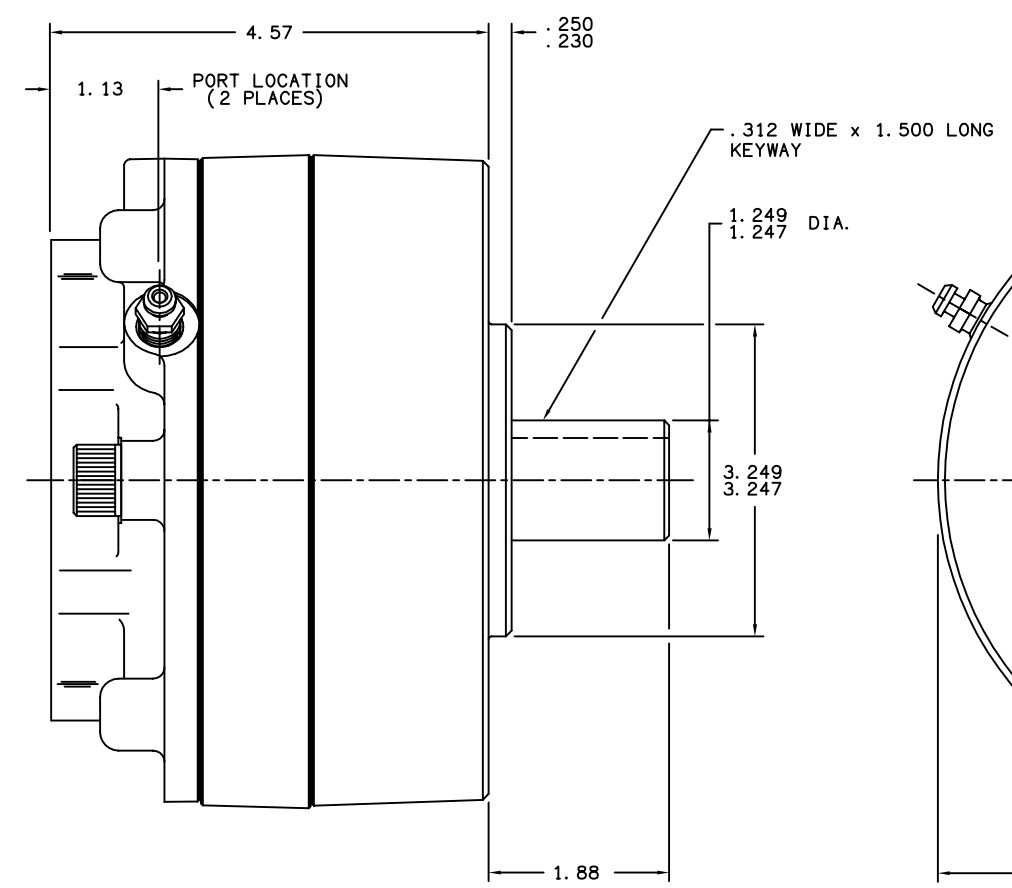


PART NUMBER
13-538-060
NPI OR ECN NO.
ECO S-1729

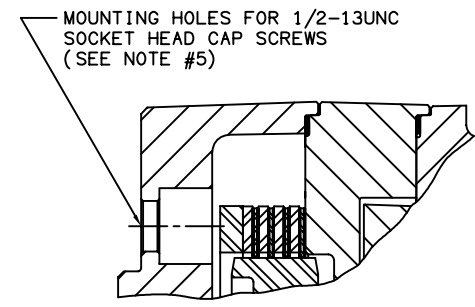


1/2-13UNC-2B x .625 MIN.
FULL THREAD
(4.188 DIA. B.C., REF.)
(4 PLACES)

3/8-16UNC-2B x .560 MIN. FULL THREAD
(4.188 DIA. B.C., REF.)
(2 PLACES)



.525 DIA. HOLE
(4.188 DIA. B.C.)
(2 PLACES)
(SEE SECTION B-B)



SECTION B-B

NOTES:

- 1) LINING REPAIR KIT P/N 12-501-243
- 2) BEARING REPAIR KIT P/N 12-501-241
- 3) O-RING REPAIR KIT P/N 12-501-246
- 4) SPRING REPAIR KIT P/N 12-501-244
- 5) REFER TO INSTALLATION SHEET #81-538-002 (SUPPLIED WITH BRAKE) FOR FURTHER MOUNTING INSTRUCTIONS.

SPECIFICATIONS:

<u>TYPE:</u>	DRY MULTIPLE DISC BRAKE, SPRING APPLY, HYDRAULIC RELEASE
<u>TORQUE RATING:</u>	9,000 LB-IN STATIC (BREAKAWAY) AT 0 PSI BACK PRESSURE
<u>RELEASE PRESSURE:</u>	330 PSI INITIAL, 390 PSI FULL
<u>MAXIMUM OPERATING PRESSURE:</u>	3,000 PSI
<u>MAXIMUM SPEED:</u>	3,900 RPM
<u>LINING MATERIAL:</u>	SINTERED BRONZE
<u>APPROXIMATE WEIGHT:</u>	27 LBS.

FOR USE WITH MINERAL BASE HYDRAULIC OIL ONLY



TITLE MULTIPLE DISC BRAKE
3A-252590-M

COMPONENT AND SYSTEM RECOMMENDATIONS MADE BY MICO, INC. ARE BASED ON INFORMATION SUPPLIED BY POTENTIAL USER AND/OR SYSTEM DESIGNER. THE POTENTIAL USER AND/OR DESIGNER MUST MAKE FINAL ACCEPTANCE AND APPROVAL OF COMPONENTS AND SYSTEM AFTER TESTING PERFORMANCE ON AN ACTUAL APPLICATION FOR WHICH SYSTEM WAS DESIGNED.

MICO, INC. CLAIMS PROPRIETARY RIGHTS TO THE MATERIAL DISCLOSED IN THIS DOCUMENT. THIS DOCUMENT IS PROVIDED IN CONFIDENCE AND MAY NOT BE REPRODUCED OR DISCLOSED WITHOUT WRITTEN PERMISSION FROM MICO, INC. COPYRIGHT MICO, INC. ALL RIGHTS RESERVED.

SCALE 1:2	CHECKED APP ENG	PART NUMBER 13-538-060	REV B
DRN ETM 2-19-96		CUSTOMER COPY	