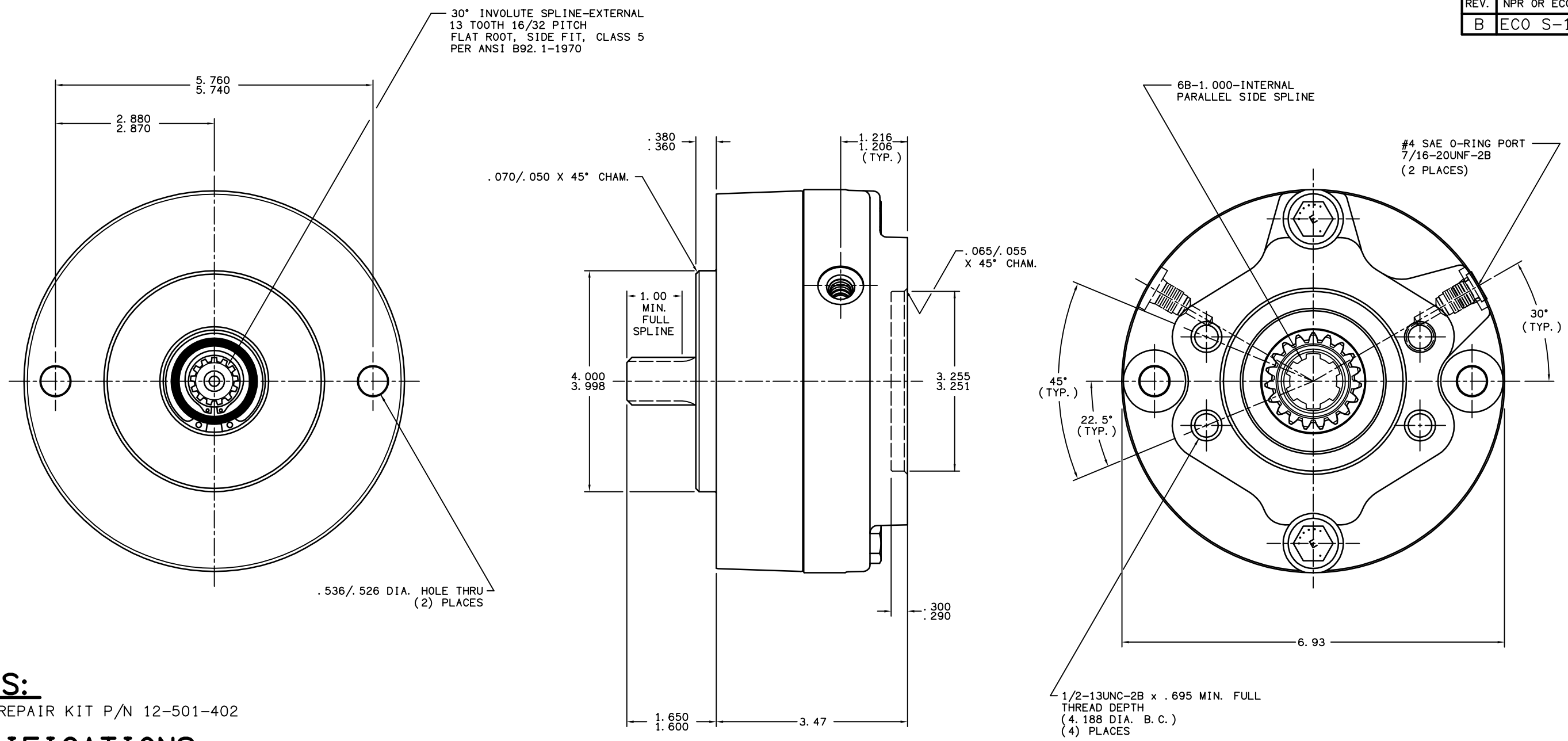


TITLE GOLD SERIES BRAKE		PART NUMBER 13-100-028
REV.	NPR OR ECO NO.	DATE
B	ECO S-1680	01/30/03



**NOTES:**

1) REPAIR KIT P/N 12-501-402

**SPECIFICATIONS:**

- TYPE: SPRING APPLY, HYDRAULIC RELEASE
- MAXIMUM SPEED: 4,000 RPM SHAFT SPEED CAPABILITY SPECIFIED IS FOR BRAKE IN RELEASED CONDITION. ENERGY ABSORPTION DURING APPLY CYCLE MUST BE CAREFULLY EXAMINED FOR EACH APPLICATION.
- RELEASE PRESSURE: 140 PSI INITIAL, 155 PSI FULL, 3,000 PSI CONTINUOUS MAX. 4,000 PSI INTERMITTENT.
- LINING MATERIAL: HIGH PERFORMANCE COMPOSITE, NON-METALLIC BASED
- TORQUE RATING: 2,100 LB-IN STATIC (BREAKAWAY)
- VOLUME OF OIL REQUIRED TO RELEASE BRAKE: 0.5 IN.<sup>3</sup> MIN., 0.9 IN.<sup>3</sup> MAX.
- APPROXIMATE WEIGHT: 19 LBS.
- FOR USE WITH MINERAL BASE HYDRAULIC OIL ONLY.

MICO, INC. CLAIMS PROPRIETARY RIGHTS TO THE MATERIAL DISCLOSED IN THIS DOCUMENT. THIS DOCUMENT IS PROVIDED IN CONFIDENCE AND MAY NOT BE REPRODUCED OR DISCLOSED WITHOUT WRITTEN PERMISSION FROM MICO, INC. COPYRIGHT MICO, INC. ALL RIGHTS RESERVED.

<b>mico</b>	
North Mankato, Minnesota U.S.A.	
SCALE 1:2	PART NUMBER 13-100-028
X NO.	CUSTOMER COPY
DRAWN GAA	
REVISED GAA	
DATE 5/16/01	CHECKED GJ 02/26/03
	APPROVED ENG.KMM 02/26/03