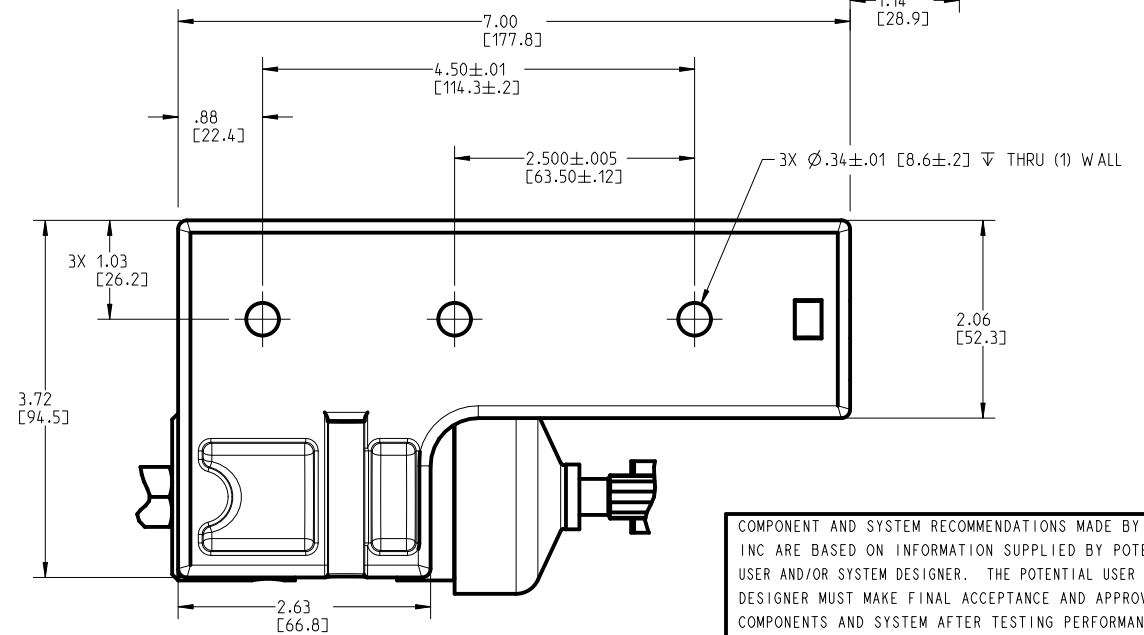


NOTES:

1. TO BE USED WITH DOT 3, 4 OR 5 BRAKE FLUID ONLY.
2. DIMENSIONS WITHOUT TOLERANCE MAY VARY BETWEEN UNITS AND ARE TO BE USED FOR REFERENCE PURPOSES ONLY. MILLIMETER VALUES MAY NOT BE AN EXACT CONVERSION OF INCH VALUES.
3. SYSTEM REPAIR KIT P/N 12-400-023.
4. PEDAL ACTUATOR P/N 12-460-185.
ACTUATOR ONLY P/N 12-460-187.
BORE: $\varnothing 1.250$ IN
DISPLACEMENT: .73 CUIN
REPAIR KIT P/N 12-400-007
MAXIMUM OPERATING PRESSURE 425 PSI AT 85 LB PEDAL EFFORT.
PEDAL EFFORT NOT TO EXCEED 85 LB AT TOP OF PEDAL.
5. SLAVE CYLINDER P/N 12-120-015
BORE: $\varnothing .625$ IN
STROKE: 2.06 IN
DISPLACEMENT: .63 CUIN
REPAIR KIT P/N 12-100-013
6. RESERVOIR P/N 20-920-006
CAPACITY: 3.30 CUIN



COMPONENT AND SYSTEM RECOMMENDATIONS MADE BY MICO, INC ARE BASED ON INFORMATION SUPPLIED BY POTENTIAL USER AND/OR SYSTEM DESIGNER. THE POTENTIAL USER AND/OR DESIGNER MUST MAKE FINAL ACCEPTANCE AND APPROVAL OF COMPONENTS AND SYSTEM AFTER TESTING PERFORMANCE ON AN ACTUAL APPLICATION FOR WHICH SYSTEM WAS DESIGNED.

MICO, INC CLAIMS PROPRIETARY RIGHTS TO THE MATERIAL DISCLOSED IN THIS DOCUMENT. THIS DOCUMENT IS PROVIDED IN CONFIDENCE AND MAY NOT BE REPRODUCED OR DISCLOSED WITHOUT WRITTEN PERMISSION FROM MICO, INC. COPYRIGHT MICO, INC. ALL RIGHTS RESERVED.

INCH
(MILLIMETER)

 North Mankato, Minnesota USA		SCALE	TITLE		
		0.500	THROTTLE CONTROL		
DWN ETM 2016-01-21	APVD PROD ENGRG PJS 2016-03-14	SIZE	DRAWING NUMBER	REV	
X NO	APVD ENGRG BSW 2016-02-19	B	12-460-189	K	
			CUSTOMER COPY	2 2	