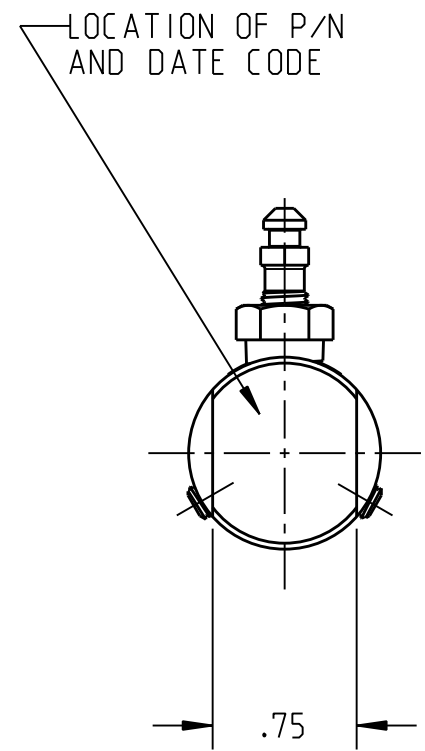
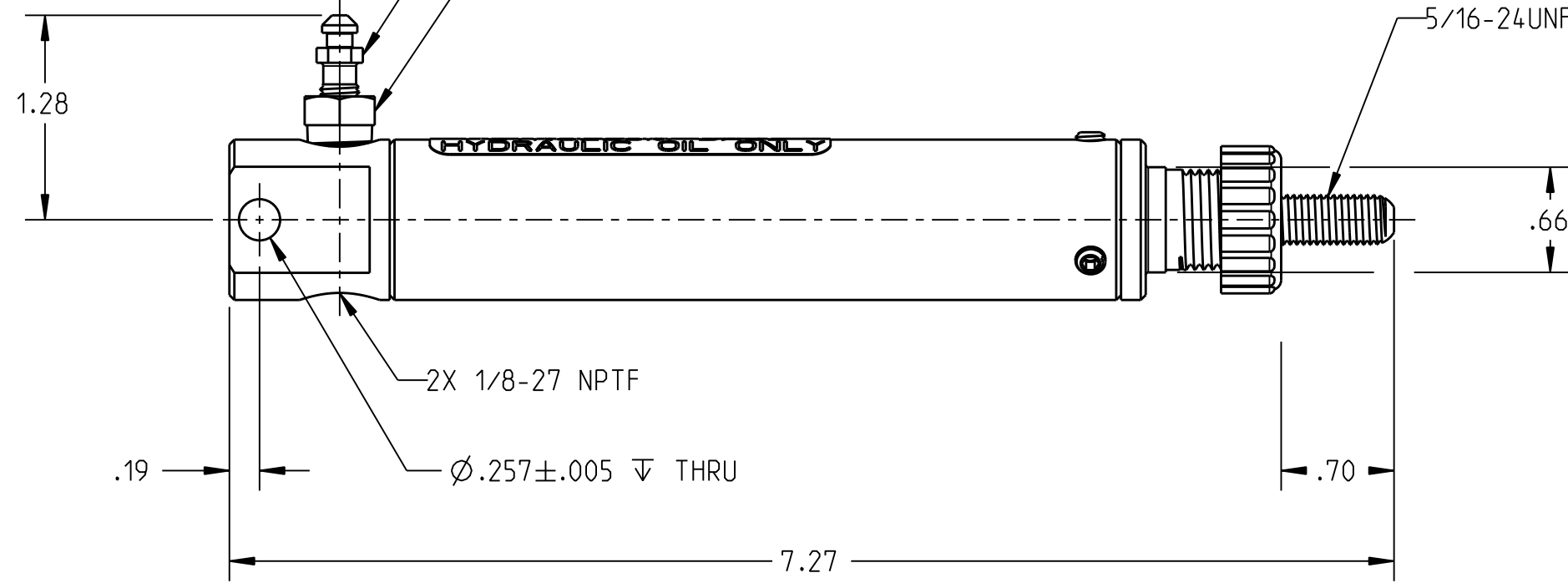


**CAUTION: USE WITH  
PETROLEUM BASE  
HYDRAULIC OIL ONLY**

1/4 HEX.  
RECOMMENDED TORQUE  
65±5 LBIN

7/16 HEX.

5/16-24UNF-2A

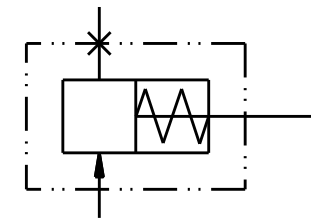


LOCATION OF P/N  
AND DATE CODE

.75

**NOTES:**

1. TO BE USED WITH MINERAL BASE HYDRAULIC OIL ONLY.
2. DIMENSIONS MAY VARY BETWEEN UNITS AND ARE TO BE USED FOR REFERENCE PURPOSES ONLY.
3. MAXIMUM WORKING PRESSURE: 1500 PSI
4. STROKE: 2.063 IN
5. BORE: Ø.625 IN
6. AREA: .3068 SQIN
7. DISPLACEMENT: .633 CUIN
8. REPAIR KIT P/N 12-100-012



COMPONENT AND SYSTEM RECOMMENDATIONS MADE BY MICO, INC ARE BASED ON INFORMATION SUPPLIED BY POTENTIAL USER AND/OR SYSTEM DESIGNER. THE POTENTIAL USER AND/OR DESIGNER MUST MAKE FINAL ACCEPTANCE AND APPROVAL OF COMPONENTS AND SYSTEM AFTER TESTING PERFORMANCE ON AN ACTUAL APPLICATION FOR WHICH SYSTEM WAS DESIGNED.

MICO, INC CLAIMS PROPRIETARY RIGHTS TO THE MATERIAL DISCLOSED IN THIS DOCUMENT. THIS DOCUMENT IS PROVIDED IN CONFIDENCE AND MAY NOT BE REPRODUCED OR DISCLOSED WITHOUT WRITTEN PERMISSION FROM MICO, INC. COPYRIGHT MICO, INC. ALL RIGHTS RESERVED.

SCALE 1.000	TITLE SLAVE CYLINDER		
DWN MAP 2010-05-03	APVD PROD ENGRG PJS 2010-05-18	SIZE B	DRAWING NUMBER 12-120-020
X NO .	APVD ENGRG BSW 2010-05-14		REV E
			CUSTOMER COPY