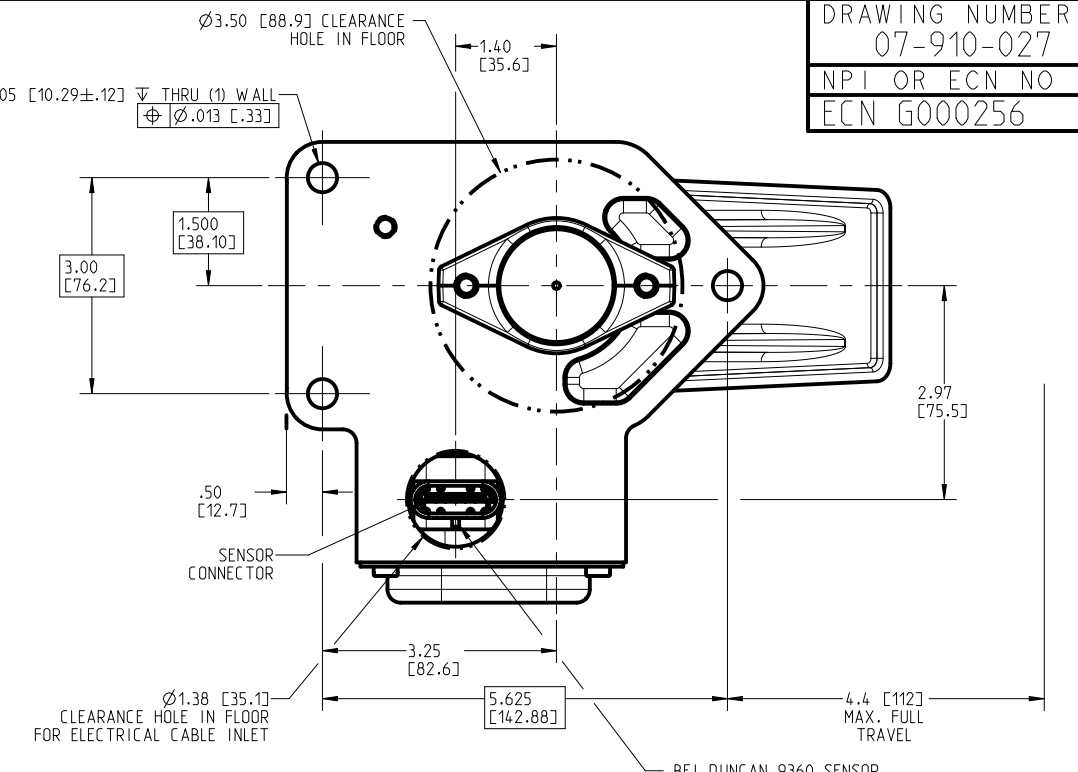
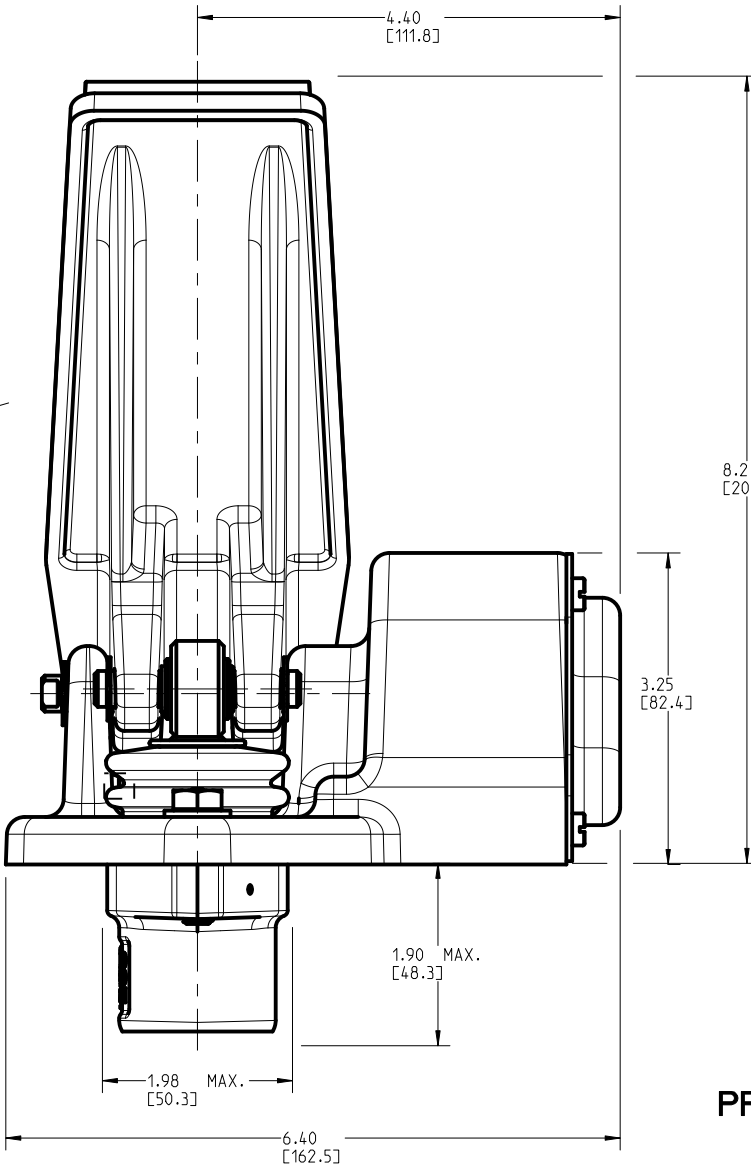
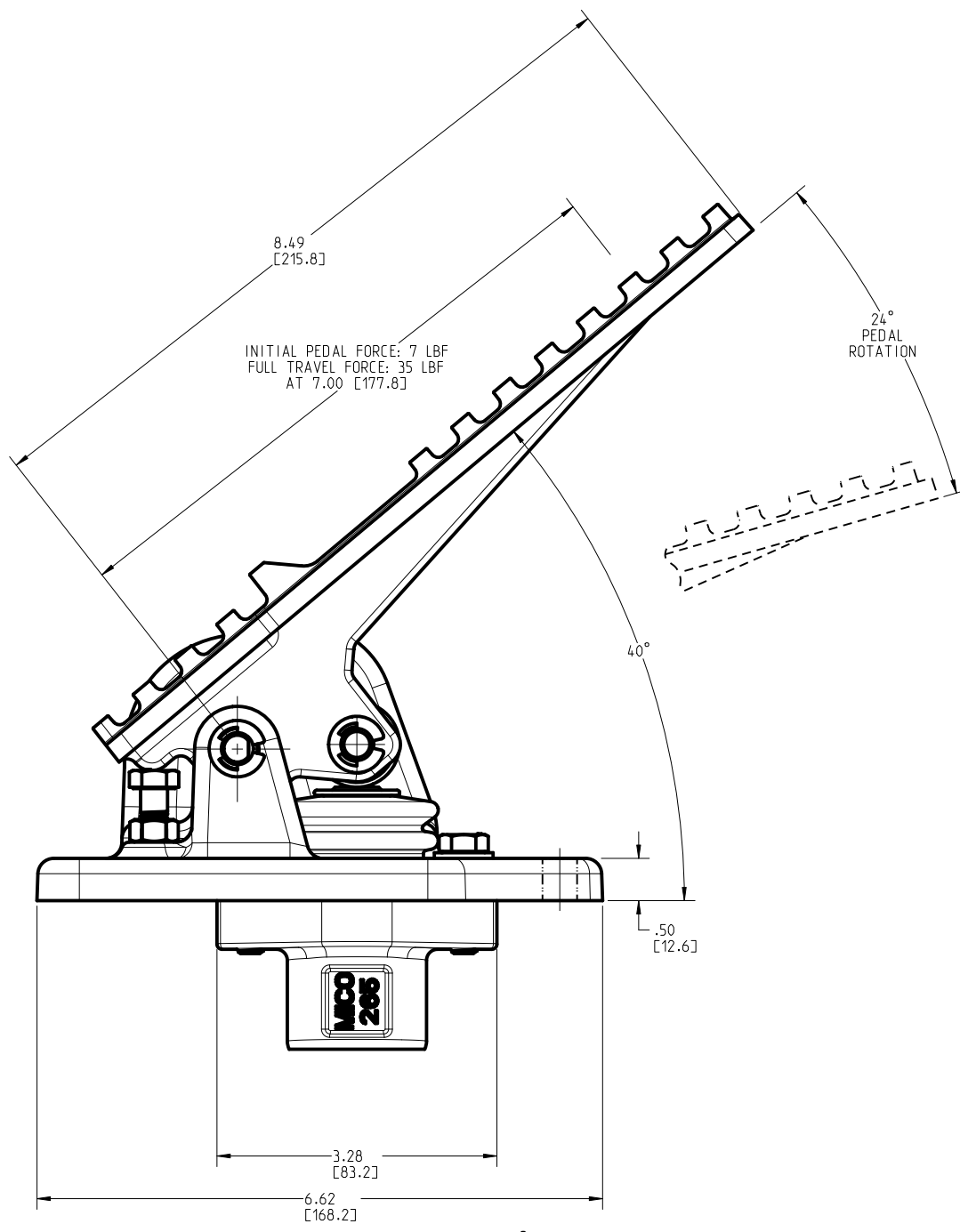


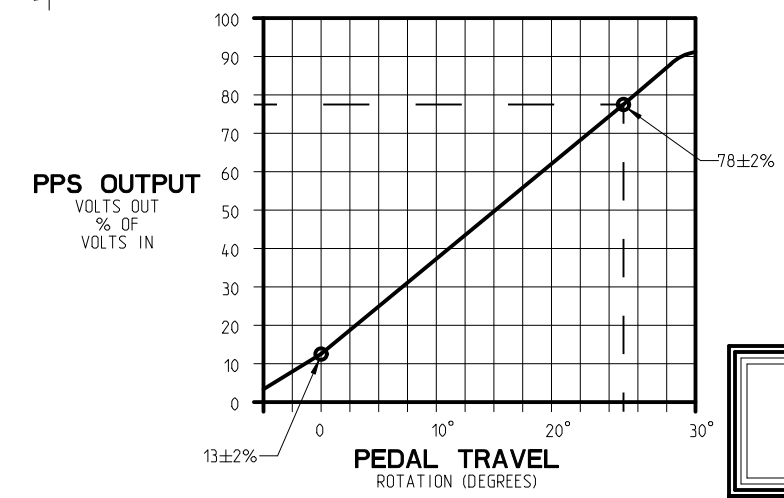
DRAWING NUMBER  
07-910-027  
NPI OR ECN NO  
ECN G000256



VIEW A-A  
SCALE: 0.375

BEI DUNCAN 9360 SENSOR  
MATES WITH DELPHI METRI-PACK 150.2 CONNECTOR.  
MATING CONNECTOR HOUSING 12162260 OR EQUIV.  
PIN CONNECTIONS:  
PIN F: SIGNAL 1 SUPPLY +  
PIN E: SIGNAL 1 GND -  
PIN C: SIGNAL 1 OUTPUT  
PIN D: SIGNAL 2 OUTPUT  
PIN B: SIGNAL 2 SUPPLY +  
PIN A: SIGNAL 2 GND -

PPS OUTPUT VS PEDAL ROTATION  
BOTH OUTPUTS SLOPE = 2.667% / DEG



INCH  
[MILLIMETER]



- NOTES:**
- 1) DIMENSIONS WITHOUT TOLERANCE MAY VARY BETWEEN UNITS AND ARE FOR REFERENCE PURPOSES ONLY. MILLIMETER VALUES MAY NOT BE AN EXACT CONVERSION OF INCH VALUES.
  - 2) DUAL HALL EFFECT POSITION SENSOR.
  - 3) SUPPLY VOLTAGE TO BE 5.0±0.5 VOLTS.
  - 4) MAXIMUM CURRENT OUTPUT 1 mA PER CIRCUIT.
  - 5) SENSOR DRAWS 10 mA MAX PER CIRCUIT PLUS OUTPUT.
  - 6) MODEL CODE IS EPB-T40-LR-BM000-11.
  - 7) WEIGHT: 5.4 LB (2.4 KG).
  - 8) PEDAL AND BASE ARE BLACK ANODIZED ALUMINUM.

COMPONENT AND SYSTEM RECOMMENDATIONS MADE BY MICO, INC. ARE BASED ON INFORMATION SUPPLIED BY POTENTIAL USER AND/OR SYSTEM DESIGNER. THE POTENTIAL USER AND/OR DESIGNER MUST MAKE FINAL ACCEPTANCE AND APPROVAL OF COMPONENTS AND SYSTEM AFTER TESTING PERFORMANCE ON AN ACTUAL APPLICATION FOR WHICH SYSTEM WAS DESIGNED.		MICO, INC. CLAIMS PROPRIETARY RIGHTS TO THE MATERIAL DISCLOSED IN THIS DOCUMENT. THIS DOCUMENT IS PROVIDED IN CONFIDENCE AND MAY NOT BE REPRODUCED OR DISCLOSED WITHOUT WRITTEN PERMISSION FROM MICO, INC. COPYRIGHT MICO, INC. ALL RIGHTS RESERVED.	
SCALE 0.500	TITLE EPB-T40-LR-BM000-11	SIZE B	DRAWING NUMBER 07-910-027
DWN JJH 2016-09-20	APVD PROD ENGRG MH 2016-09-30	REV D	CUSTOMER COPY
X NO X07-1401-001	APVD ENGRG STR 2016-09-21		1 1