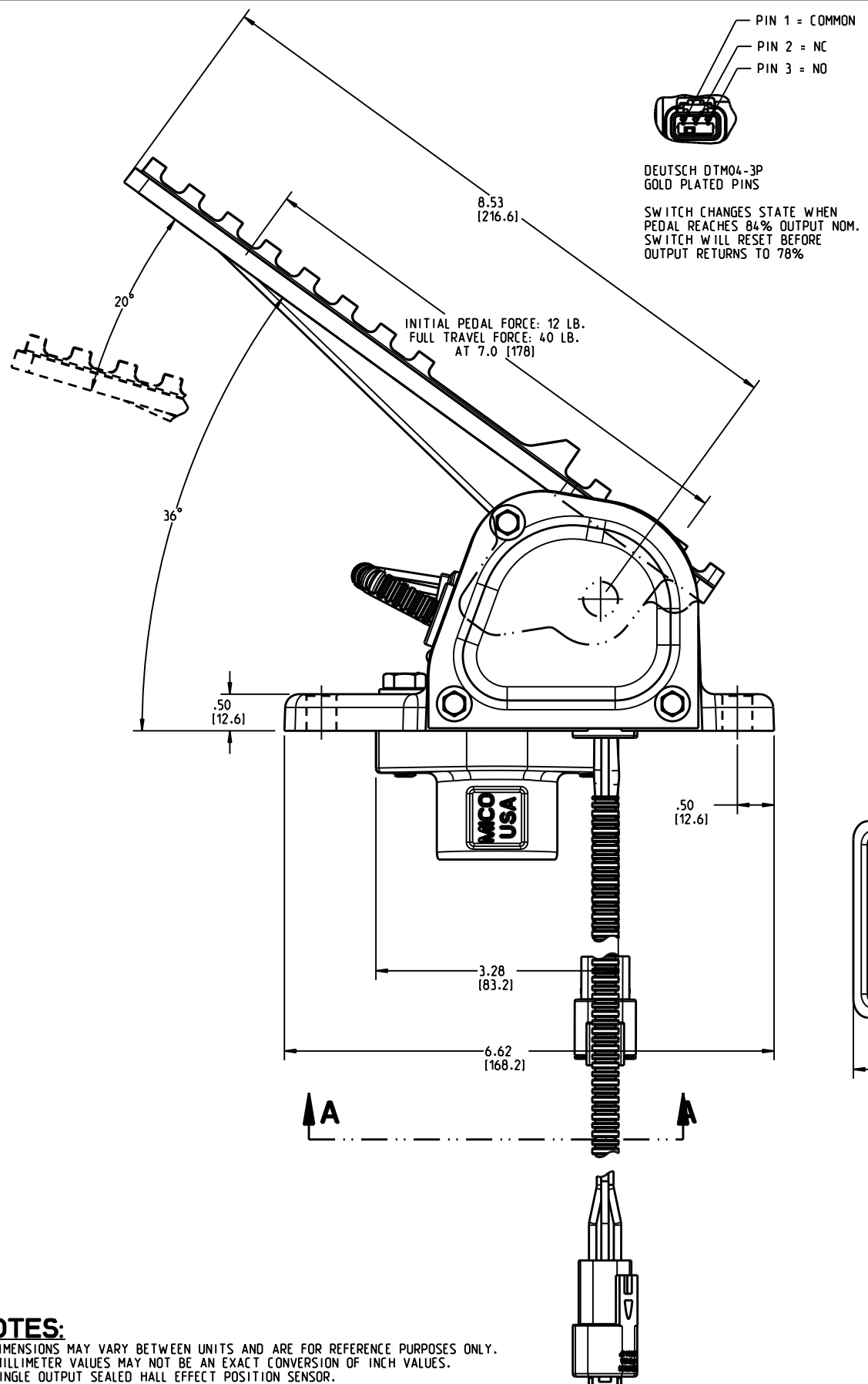


INCH  
[MILLIMETER]

**NOTES:**

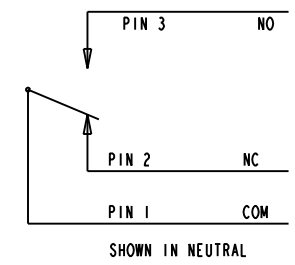
- 1) DIMENSIONS MAY VARY BETWEEN UNITS AND ARE FOR REFERENCE PURPOSES ONLY. MILLIMETER VALUES MAY NOT BE AN EXACT CONVERSION OF INCH VALUES.
- 2) SINGLE OUTPUT SEALED HALL EFFECT POSITION SENSOR.
- 3) SUPPLY VOLTAGE TO BE 5 ±0.5V.
- 4) SENSOR DRAWS 10 MA MAX. PLUS 2 MA MAX OUTPUT.
- 5) MICROSWITCH IS A OMRON D2VW-5L1A-1MS SPDT IP67 3 A LAMP LOAD, 5 A RESISTIVE LOAD AT 30 VDC.
- 6) WEIGHT IS 5.5 LB (2.5 KG)
- 7) SURFACE COATING: PEDAL AND BASE ARE BLACK ANODIZED ALUMINUM.
- 8) CABLE GROMMETS DO NOT SEAL AROUND CABLES.



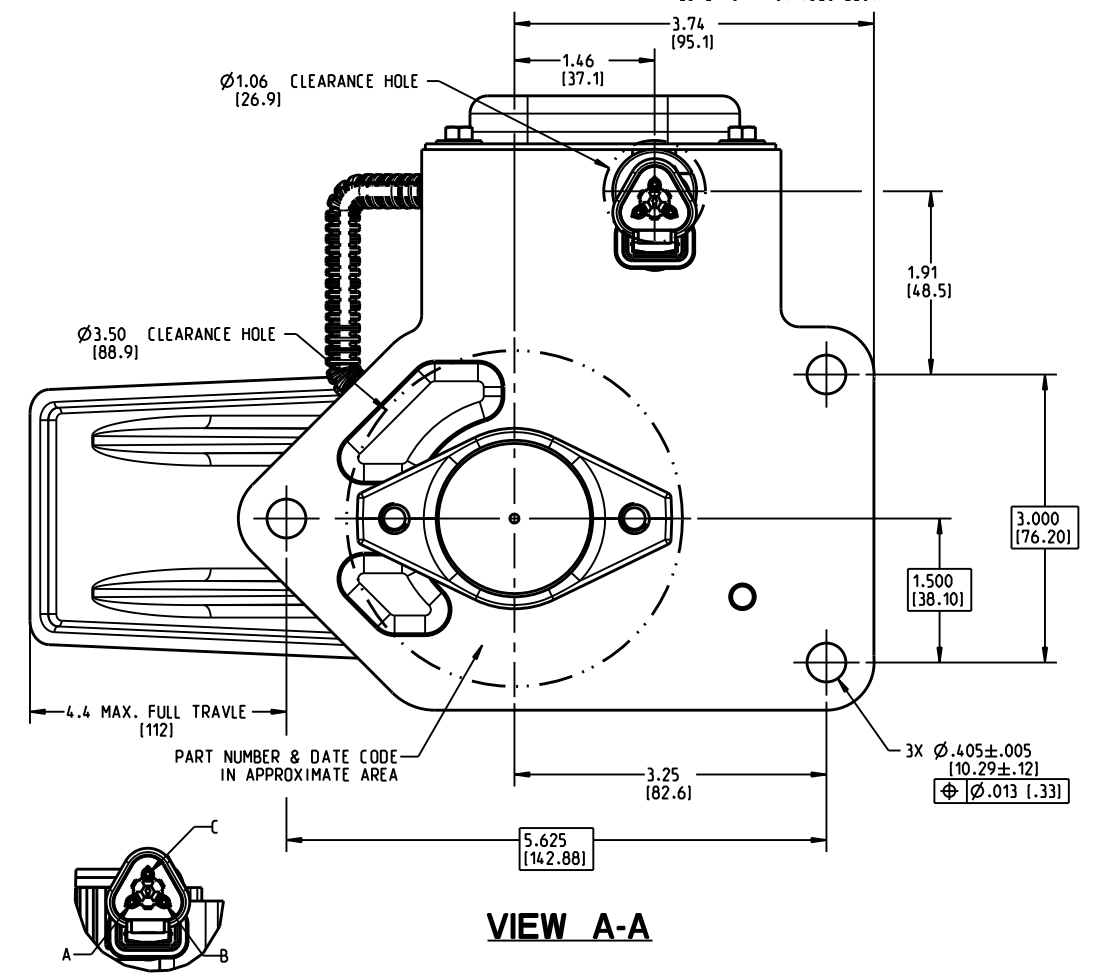
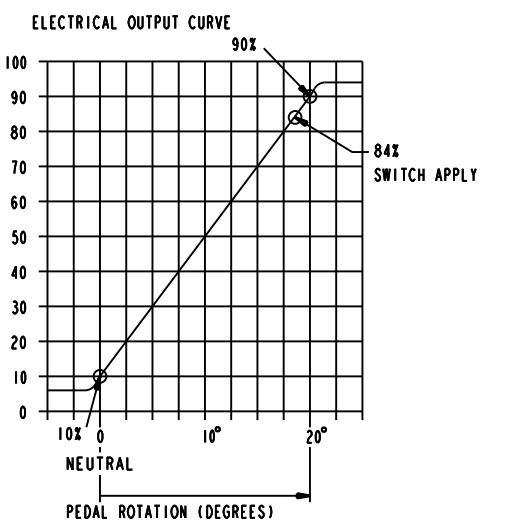
PIN 1 = COMMON  
PIN 2 = NC  
PIN 3 = NO

DEUTSCH DTM04-3P  
GOLD PLATED PINS

SWITCH CHANGES STATE WHEN  
PEDAL REACHES 84% OUTPUT NOM.  
SWITCH WILL RESET BEFORE  
OUTPUT RETURNS TO 78%



PPS OUTPUT  
% OF  
SUPPLY VOLTS



VIEW A-A

DEUTSCH DT04-3P  
POSITION SENSOR CONNECTIONS

PIN CONNECTIONS:  
PIN A = PPS OUT  
PIN B = SUPPLY VOLTAGE  
PIN C = GROUND

COMPONENT AND SYSTEM RECOMMENDATIONS MADE BY MICO, INC ARE BASED ON INFORMATION SUPPLIED BY POTENTIAL USER AND/OR SYSTEM DESIGNER. THE POTENTIAL USER AND/OR DESIGNER MUST MAKE FINAL ACCEPTANCE AND APPROVAL OF COMPONENTS AND SYSTEM AFTER TESTING PERFORMANCE ON AN ACTUAL APPLICATION FOR WHICH SYSTEM WAS DESIGNED.

MICO, INC CLAIMS PROPRIETARY RIGHTS TO THE MATERIAL DISCLOSED IN THIS DOCUMENT. THIS DOCUMENT IS PROVIDED IN CONFIDENCE AND MAY NOT BE REPRODUCED OR DISCLOSED WITHOUT WRITTEN PERMISSION FROM MICO, INC. COPYRIGHT MICO, INC. ALL RIGHTS RESERVED.

 North Mankato, Minnesota USA		SCALE	TITLE		
		0.500	EPB-T36-LD-BD040-11		
DWN JRA	APVD PROD ENGRG	SIZE	DRAWING NUMBER	REV	
2014-04-16	MH 2014-05-01	B	07-910-026	E	
X NO	APVD ENGRG	CUSTOMER COPY			
X7702-10	STR 2014-02-21				