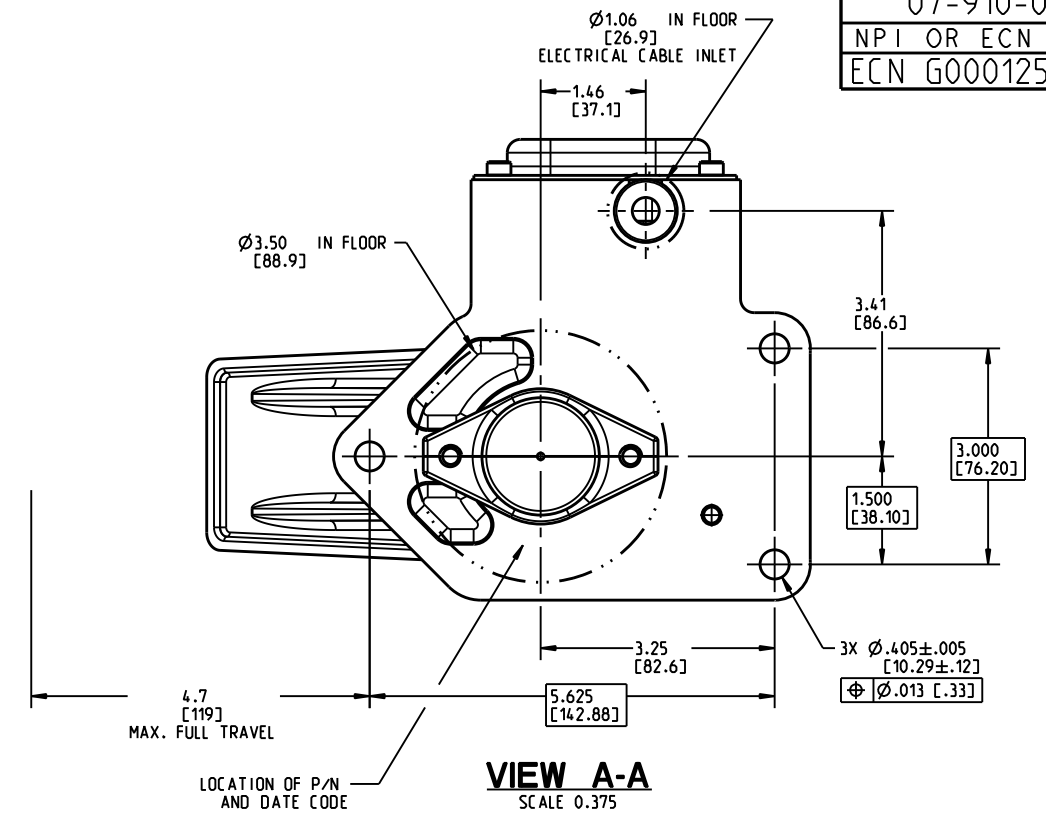
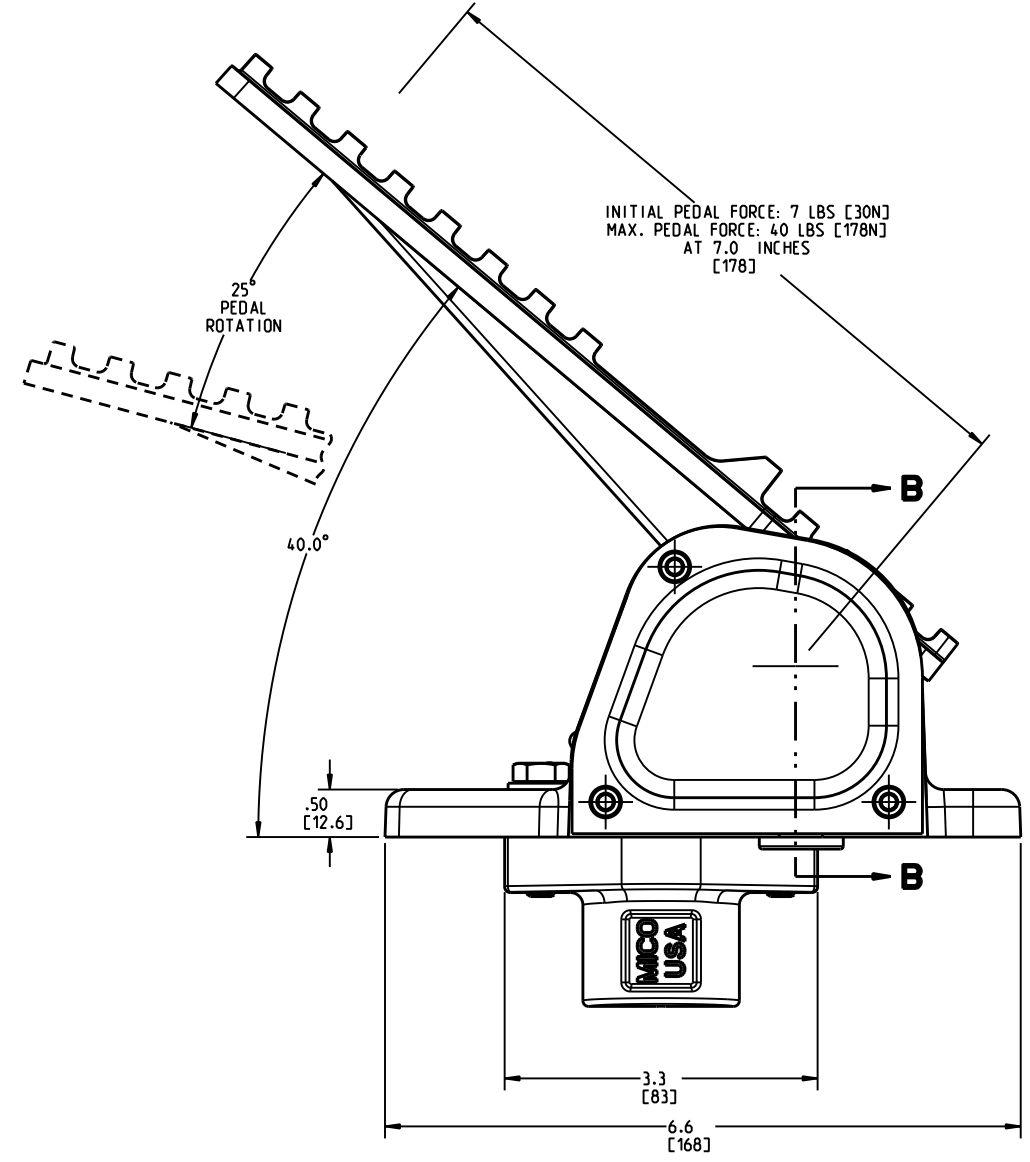
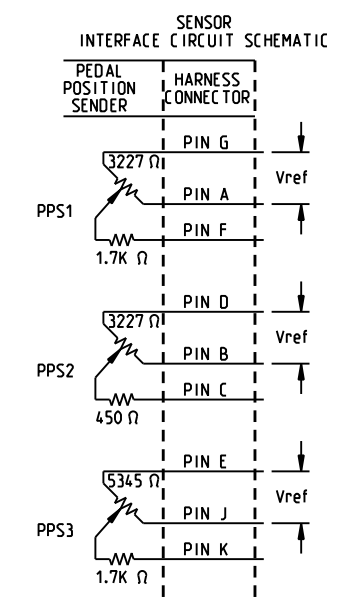
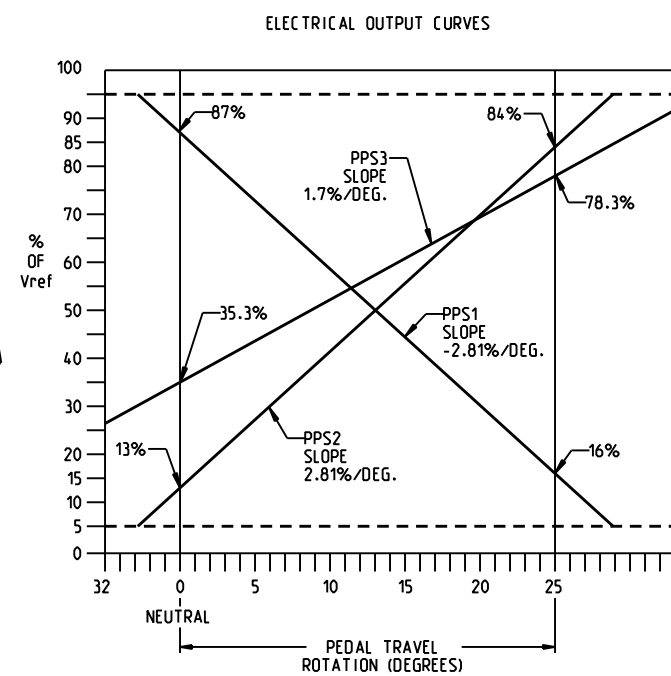


**SECTION B-B**

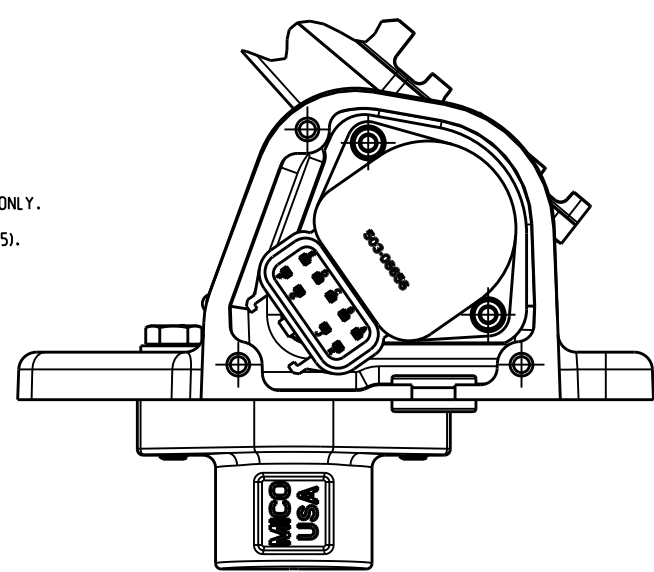


**VIEW A-A**  
SCALE 0.375



**ELECTRICAL SCHEMATIC**

- NOTES:**
- 1) DIMENSIONS MAY VARY BETWEEN UNITS AND ARE TO BE USED FOR REFERENCE PURPOSES ONLY. MILLIMETER VALUES MAY NOT BE AN EXACT CONVERSION OF INCH VALUES.
  - 2) MATING CONNECTOR: DELPHI METRI-PACK 150 P/N 12065425 OR EQUIVALENT (10-WAY 2X5). SENSOR CONNECTOR HAS TIN PLATED PINS.
  - 3) MAXIMUM CURRENT DRAW: 5.0 mA EACH CIRCUIT OR .08 WATT MAXIMUM.
  - 4) OVERALL RESISTANCE AND SERIES WIPER RESISTANCE TOLERANCE: ±30%.
  - 5) NO REPAIR KIT REQUIRED.
  - 6) PEDAL AND BASE ARE BLACK ANODIZED ALUMINUM.
  - 7) WEIGHT: 5.4 LB (2.4 KG)



**INCH**  
**(MILLIMETER)**

CURVES SHOWN FOR PIN G, PIN D AND PIN E HIGH. REVERSING Vref REVERSES THE CURVE FOR THAT POT.

**MICO**  
North Mankato, Minnesota USA

COMPONENT AND SYSTEM RECOMMENDATIONS MADE BY MICO, INC ARE BASED ON INFORMATION SUPPLIED BY POTENTIAL USER AND/OR SYSTEM DESIGNER. THE POTENTIAL USER AND/OR DESIGNER MUST MAKE FINAL ACCEPTANCE AND APPROVAL OF COMPONENTS AND SYSTEM AFTER TESTING PERFORMANCE ON AN ACTUAL APPLICATION FOR WHICH SYSTEM WAS DESIGNED.		MICO, INC CLAIMS PROPRIETARY RIGHTS TO THE MATERIAL DISCLOSED IN THIS DOCUMENT. THIS DOCUMENT IS PROVIDED IN CONFIDENCE AND MAY NOT BE REPRODUCED OR DISCLOSED WITHOUT WRITTEN PERMISSION FROM MICO, INC. COPYRIGHT MICO, INC. ALL RIGHTS RESERVED.	
SCALE 0.500	TITLE EPB-T40-LP-BM000-11	SIZE B	DRAWING NUMBER 07-910-019
DWN JRA 2011-06-03	APVD PROD ENGRG AB 18-NOV-2011	REV E	CUSTOMER COPY
X NO X8007-27	APVD ENGRG STR 2011-11-16		