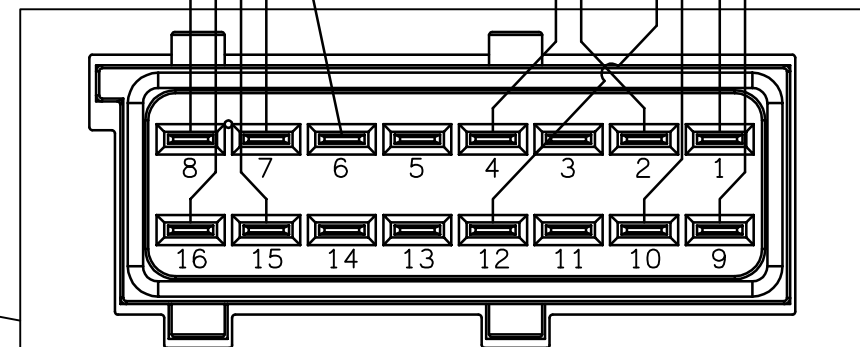
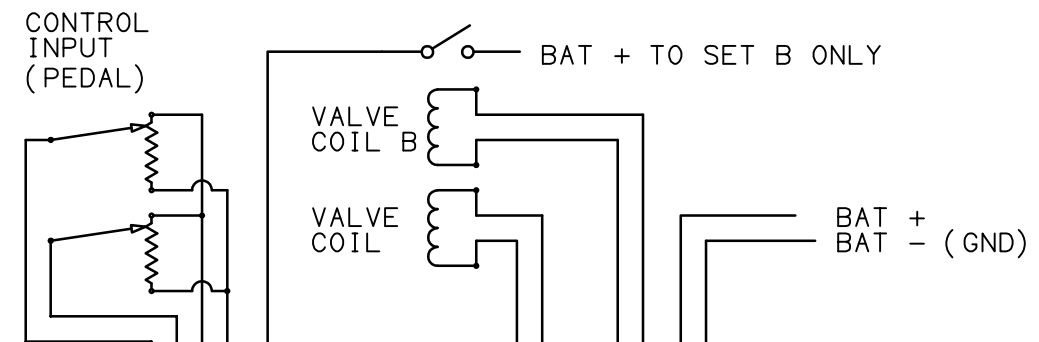
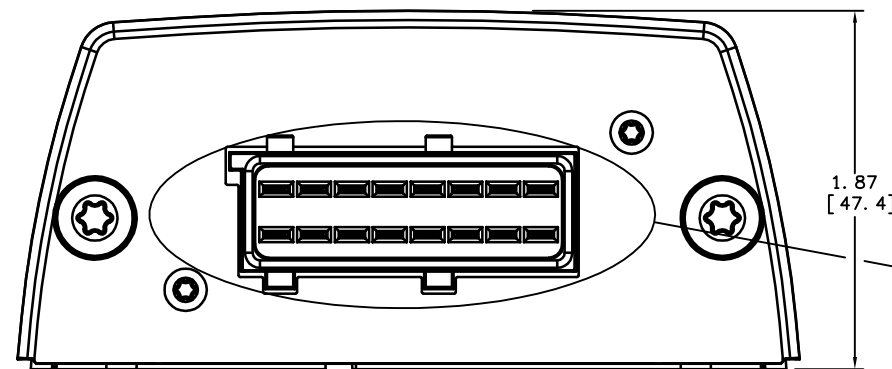
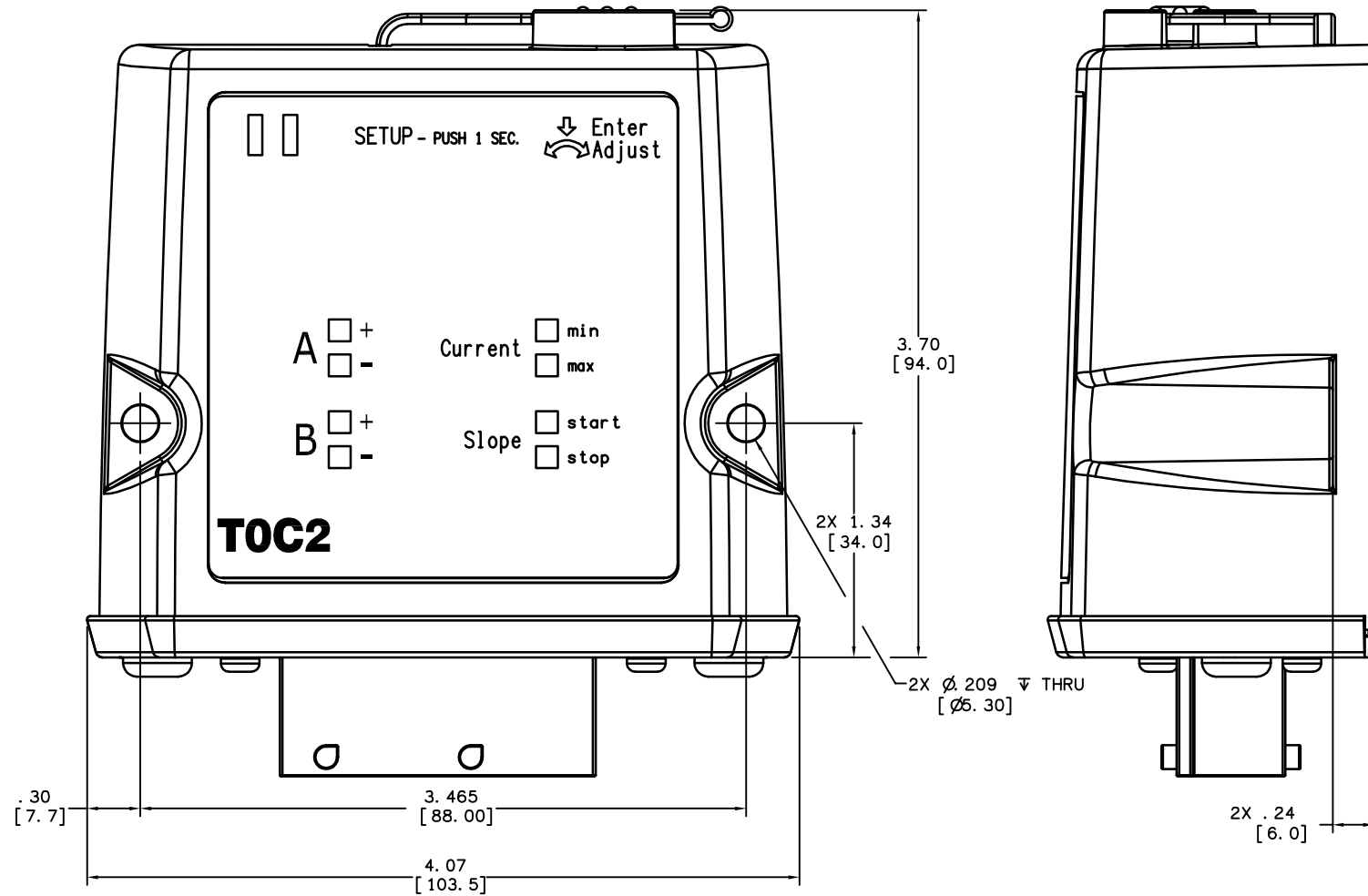
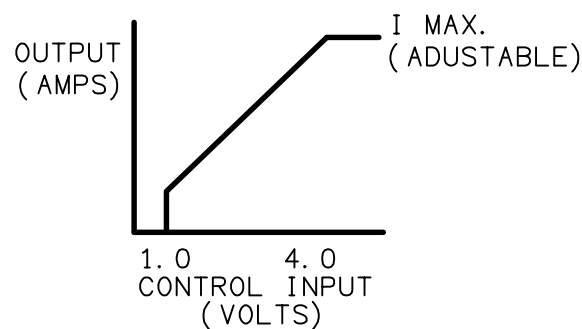


# NOTES:

- CONTROLLER PREPROGRAMMED FOR MICO ELECTRONIC PEDALS AND EBV-M-\* -D024 VALVES.
- SUPPLY VOLTAGE 18V DC MIN - 34V DC MAX
- SUPPLY CURRENT 55 MA @ 28V (NO LOAD)
- INPUT CONTROL SIGNALS (REDUNDANT) OUTPUT GOES FROM I MIN TO I MAX
  - CONTROL VOLTAGE A 1.0 TO 4.0 V DC (62K OHM IMPEDANCE)
  - CONTROL VOLTAGE B 1.0 TO 4.0 V DC (62K OHM IMPEDANCE)
  - DRIVER WILL AUTOMATICALLY SWITCH TO HIGHEST CONTROL SIGNAL (A OR B)
- OUTPUT LEAPS TO I MIN. @ 1.0 V, OUTPUT DOES NOT CHANGE BEYOND 4.0 V CONTROL INPUT.
- VOLTAGE REFERENCE OUTPUT 5.0 V REGULATED UP TO 30 MILLIAMP MAX
- OPERATING TEMPERATURE -40 TO 70 °C.
- FULL SIGNAL CURRENT ADJUSTABLE UP TO 1.6 AMPS, PRESET AT 1.1 AMP
- MATING CONNECTOR IS AMP JUNIOR POWER TIMER SERIES 1-963217-1 (NOT INCLUDED).
- MATING CONNECTOR KIT IS MICO P/N 32-150-042 (NOT INCLUDED).
- DIMENSIONS MAY VARY BETWEEN UNITS AND ARE FOR REFERENCE PURPOSES ONLY. MILLIMETER VALUES MAY NOT BE AN EXACT CONVERSION OF INCH VALUES.
- WEIGHT IS .44 LB (0.2 KG).
- APPLY 4.5 TO 32 VOLTS TO PIN 6 (DIN A) TO DISABLE A OUTPUT AND ALLOW ADJUSTING B CHANNEL CURRENT. ONCE ADJUSTED REMOVE VOLTAGE SOURCE.



- |                       |              |
|-----------------------|--------------|
| 1 BATTERY + (+24 VDC) | 9 BAT- (GND) |
| 2 CRET-A+             | 10 CRET-B+   |
| 3 NOT USED            | 11 NOT USED  |
| 4 COUT-A              | 12 COUT-B    |
| 5 NOT USED            | 13 NOT USED  |
| 6 DIN A               | 14 NOT USED  |
| 7 +VREF               | 15 -VREF     |
| 8 VIN-A               | 16 VIN-B     |



COMPONENT AND SYSTEM RECOMMENDATIONS MADE BY MICO, INC ARE BASED ON INFORMATION SUPPLIED BY POTENTIAL USER AND/OR SYSTEM DESIGNER. THE POTENTIAL USER AND/OR DESIGNER MUST MAKE FINAL ACCEPTANCE AND APPROVAL OF COMPONENTS AND SYSTEM AFTER TESTING PERFORMANCE ON AN ACTUAL APPLICATION FOR WHICH SYSTEM WAS DESIGNED.

MICO, INC CLAIMS PROPRIETARY RIGHTS TO THE MATERIAL DISCLOSED IN THIS DOCUMENT. THIS DOCUMENT IS PROVIDED IN CONFIDENCE AND MAY NOT BE REPRODUCED OR DISCLOSED WITHOUT WRITTEN PERMISSION FROM MICO, INC. COPYRIGHT MICO, INC. ALL RIGHTS RESERVED.

SCALE NONE	TITLE VALVE DRIVER 24 VDC		
DWN JRA 2012-03-09	APVD PROD ENGRG	SIZE B	DRAWING NUMBER 07-585-028
X NO 08-2241	APVD ENGRG STR 2012-04-04	REV C	CUSTOMER COPY