

**NOTES:**

- 1) TO BE USED WITH MINERAL BASE HYDRAULIC OIL ONLY.
- 2) DIMENSIONS MAY VARY BETWEEN UNITS AND ARE FOR REFERENCE PURPOSES ONLY. MILLIMETER VALUES MAY NOT BE AN EXACT CONVERSION OF INCH VALUES.
- 3) VALVE SURFACE FINISH: OLIVE DRAB PRIMER PER DOD-P-15328 SPECIFICATION.
- 4) PEDAL AND BASE ARE BLACK ANODIZED ALUMINUM.
- 5) WHEN THE VALVE ASSEMBLY IS ROTATED 180° FROM SHOWN, THE PART NUMBER IS 06-466-433-R.

**VALVE PERFORMANCE CHARACTERISTICS:**

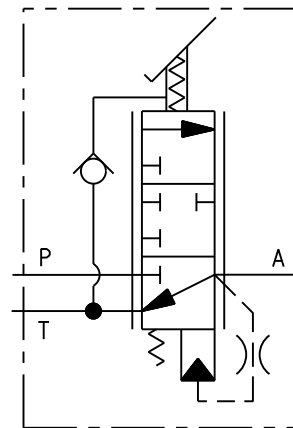
- 1) BRAKE PRESSURE SETTING IS 800±50 PSI (55.2±3.4 bar) WITH 1700 PSI (117.2 bar) INLET PRESSURE AND 15 cSt OIL VISCOSITY.
- 2) MAXIMUM INLET PRESSURE IS 3200 PSI (221 bar).
- 3) OPERATING TEMPERATURE RANGE: -40 TO +225 °F (-40 TO +107 °C).

**SENSOR CHARACTERISTICS:**

- 1) DUAL HALL EFFECT POSITION SENSOR.
- 2) RESOLUTION: ANALOG
- 3) MATING CONNECTOR: DELPHI METRI-PACK 150.2 CONNECTOR (PULL-TO-SEAT 6 PIN SEALED CONNECTOR) CONNECTOR HOUSING P/N 12162260 OR EQUIVALENT.
- 4) INPUT VOLTAGE: 5.0±0.25 V.
- 5) MAXIMUM INPUT CURRENT: 10mA PER OUTPUT, 20mA TOTAL
- 6) ACCURACY: ±3.0% OF FULL SCALE OVER OPERATING TEMPERATURE RANGE.
- 7) TOLERANCE ON POSITION SENSOR OUTPUTS AT THE INSTALLED AND FULLY APPLIED POSITIONS IS ±1.0% OF INPUT VOLTAGE.

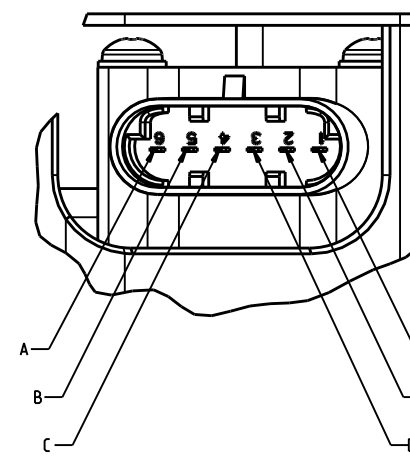
**SERVICE ITEMS:**

- 1) VALVE ASSEMBLY PART NUMBER IS 20-200-062.
- 2) VALVE ASSEMBLY REPAIR KIT PART NUMBER IS 06-400-148.
- 3) PEDAL AND BASE ASSEMBLY PART NUMBER IS 29-910-164.
- 4) PEDAL AND BASE ASSEMBLY REPAIR KIT PART NUMBER IS 06-400-460.



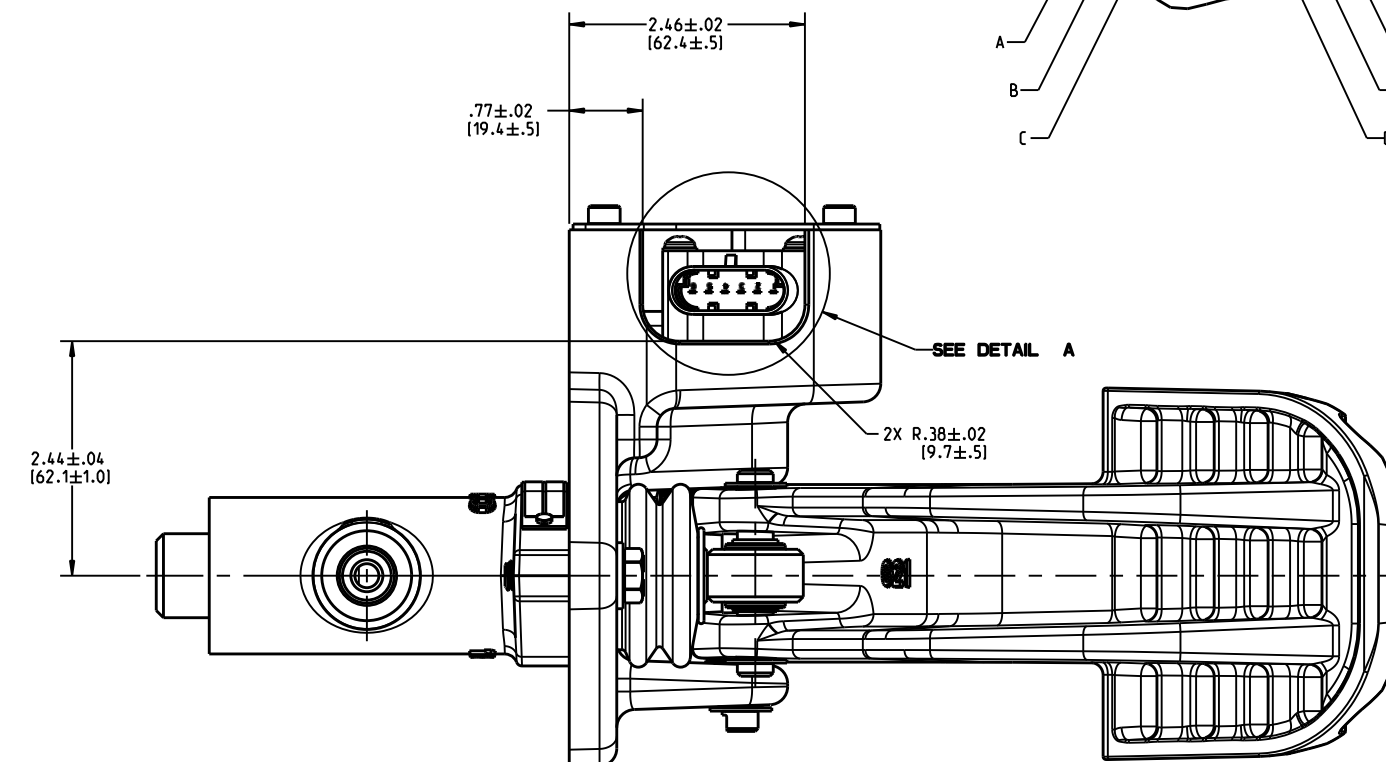
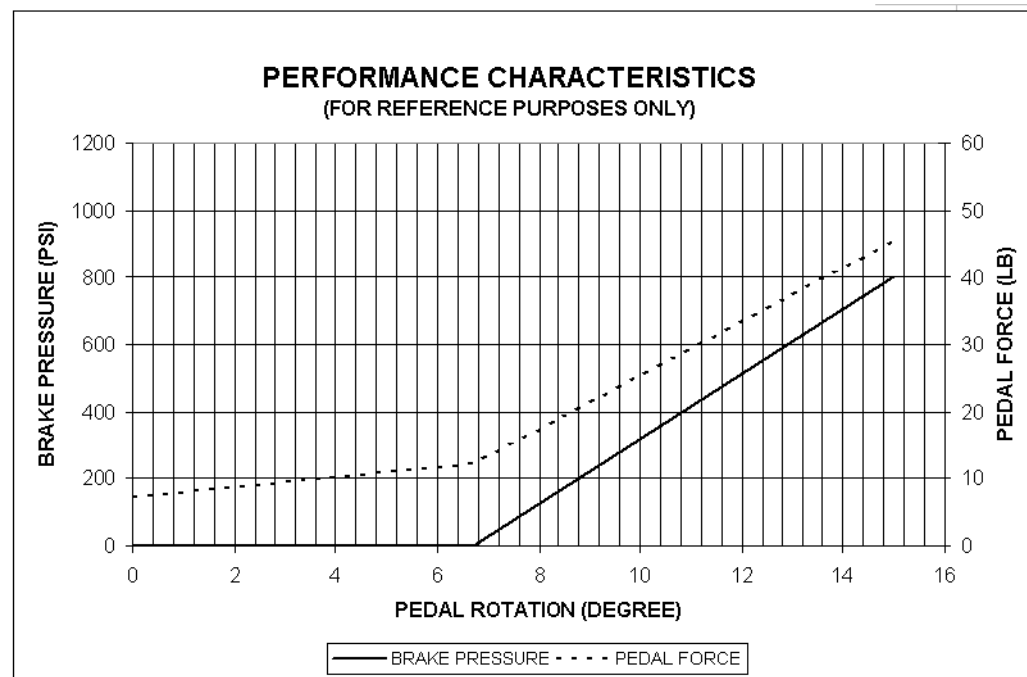
INCH  
(MILLIMETER)

DETAIL A  
SCALE 1.000

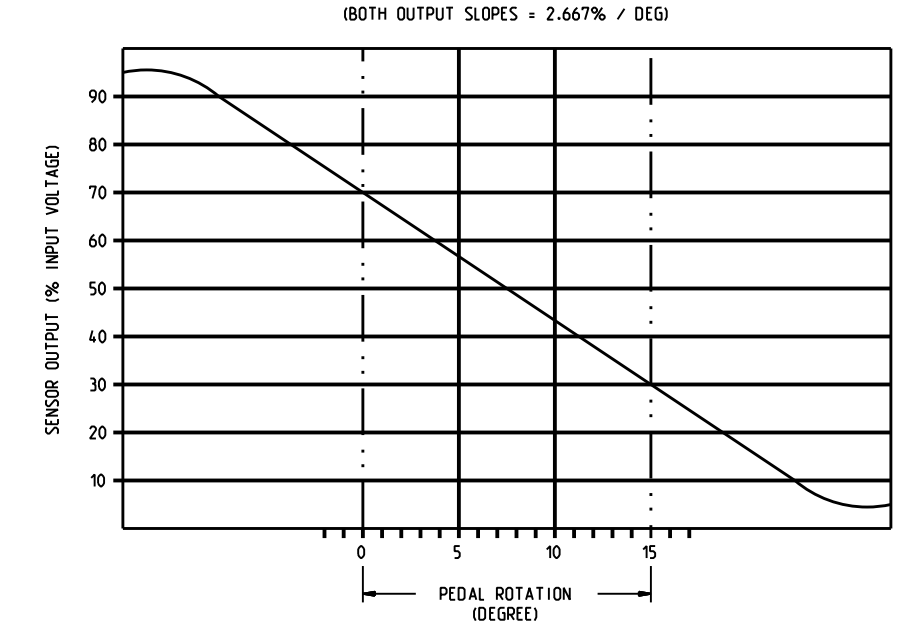


**SENSOR PIN OUTPUTS**

	SENSOR 1	SENSOR 2
Vs (INPUT)	F	B
GROUND	E	A
OUTPUT	C	D



**ELECTRICAL OUTPUT CURVE**



COMPONENT AND SYSTEM RECOMMENDATIONS MADE BY MICO, INC ARE BASED ON INFORMATION SUPPLIED BY POTENTIAL USER AND/OR SYSTEM DESIGNER. THE POTENTIAL USER AND/OR DESIGNER MUST MAKE FINAL ACCEPTANCE AND APPROVAL OF COMPONENTS AND SYSTEM AFTER TESTING PERFORMANCE ON AN ACTUAL APPLICATION FOR WHICH SYSTEM WAS DESIGNED.	MICO, INC CLAIMS PROPRIETARY RIGHTS TO THE MATERIAL DISCLOSED IN THIS DOCUMENT. THIS DOCUMENT IS PROVIDED IN CONFIDENCE AND MAY NOT BE REPRODUCED OR DISCLOSED WITHOUT WRITTEN PERMISSION FROM MICO, INC. COPYRIGHT MICO, INC. ALL RIGHTS RESERVED.	SCALE 0.500	TITLE PEDAL MOD VALVE W/ POSITION SENSOR	SIZE C	DRAWING NUMBER 06-466-433	REV 3
DWN ZLH 2014-06-10	APVD ENGRG JC 2014-07-01	X NO 10-4062	APVD ENGRG JC 2014-07-01	C	06-466-433	CUSTOMER COPY