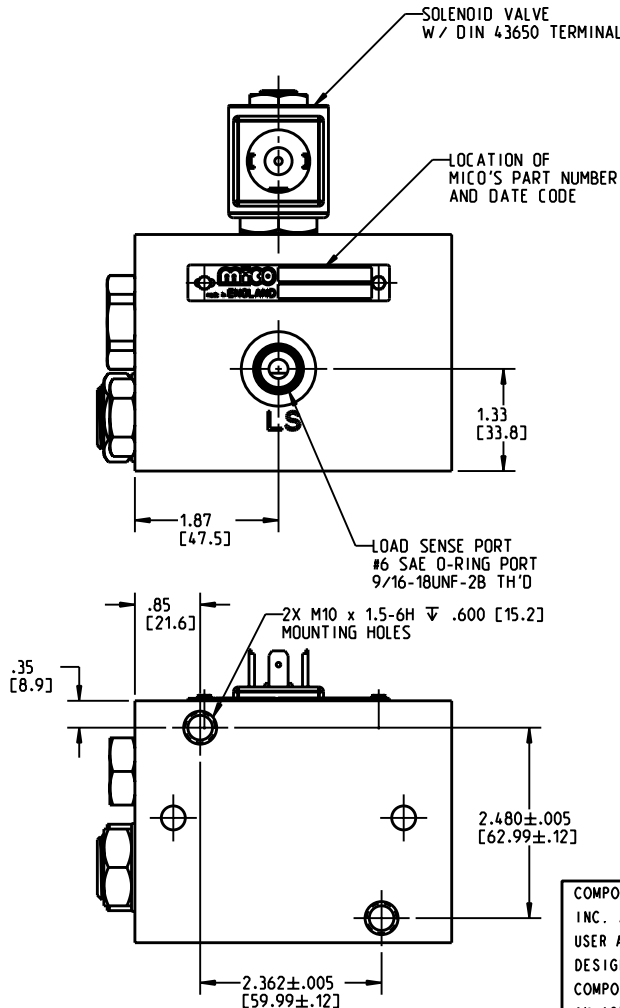


NOTES:

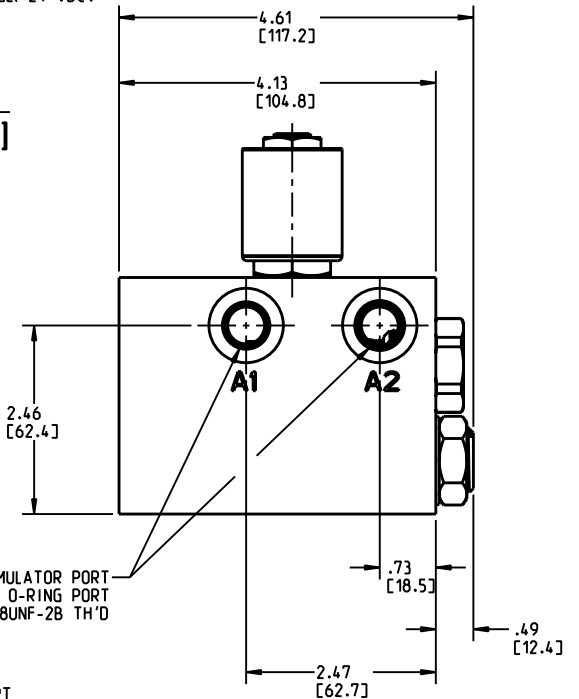
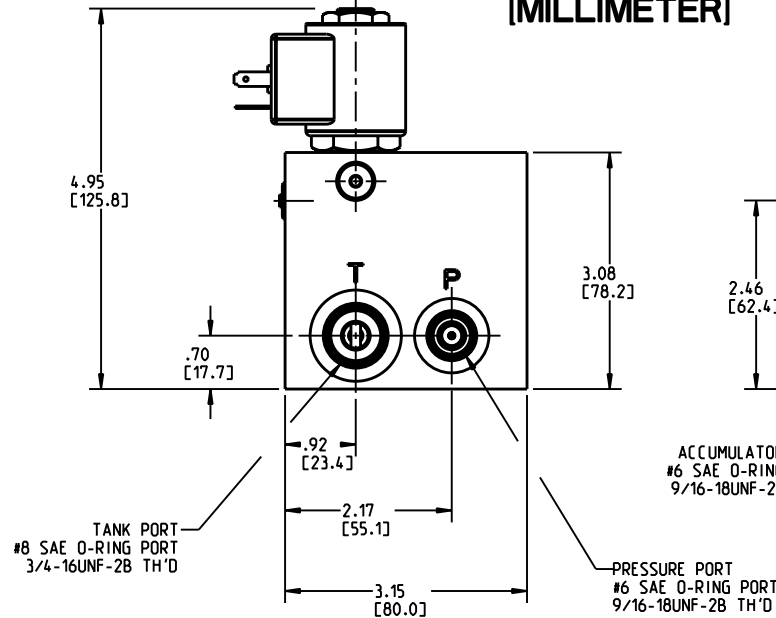
- 1) FOR USE WITH MINERAL BASE HYDRAULIC OIL.
- 2) VITON SEALS.
- 3) DIMENSIONS MAY VARY SLIGHTLY BETWEEN UNITS AND ARE FOR REFERENCE PURPOSES ONLY.
- 4) REPAIR KIT P/N 06-400-214.
REPAIR KIT DOES INCLUDE SEALS FOR SOLENOID VALVE.

PERFORMANCE CHARACTERISTICS:

- 1) SYSTEM RELIEF VALVE MUST BE SET BETWEEN 2570-3000 PSI.
- 2) ACCUMULATOR CHARGE LIMITS ARE SET AT 1690-1790 PSI LOW LIMIT TO 2270-2370 PSI HIGH LIMIT.
- 3) RECOMMENDED SYSTEM FLOW 2 TO 10 GPM.
- 4) ACCUMULATOR CHARGE RATE IS 1.2-2.2 GPM AT 1000 PSI AND STANDBY PRESSURE OF 210 PSI.
- 5) EXTERNAL FILTRATION OF 10 MICRON OR BETTER IS REQUIRED.
- 6) COIL VOLTAGE: 24 VDC.



**INCH
(MILLIMETER)**



TITLE UNLOADING DUAL LOAD SENSE CHARGE VALVE			
SCALE 0.400	APVD PROD ENGR	DRAWING NUMBER 06-463-140	REV C
DRN JRA 11-Jul-03	APVD ENGR PWB	CUSTOMER COPY 2'	

COMPONENT AND SYSTEM RECOMMENDATIONS MADE BY MICO, INC. ARE BASED ON INFORMATION SUPPLIED BY POTENTIAL USER AND/OR SYSTEM DESIGNER. THE POTENTIAL USER AND/OR DESIGNER MUST MAKE FINAL ACCEPTANCE AND APPROVAL OF COMPONENTS AND SYSTEM AFTER TESTING PERFORMANCE ON AN ACTUAL APPLICATION FOR WHICH SYSTEM WAS DESIGNED.

MICO, INC. CLAIMS PROPRIETARY RIGHTS TO THE MATERIAL DISCLOSED IN THIS DOCUMENT. THIS DOCUMENT IS PROVIDED IN CONFIDENCE AND MAY NOT BE REPRODUCED OR DISCLOSED WITHOUT WRITTEN PERMISSION FROM MICO, INC. COPYRIGHT MICO, INC. ALL RIGHTS RESERVED.