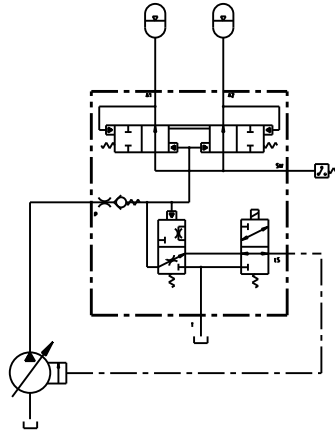
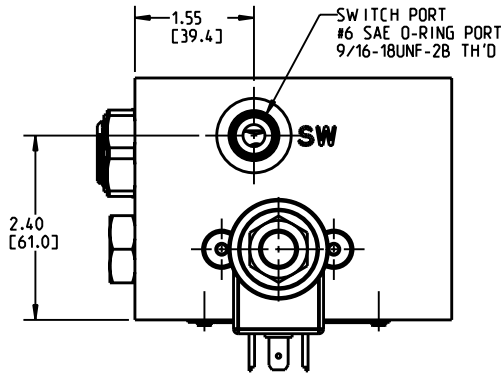


DRAWING NUMBER
06-463-132
NPI OR ECN NO
ECN E000129

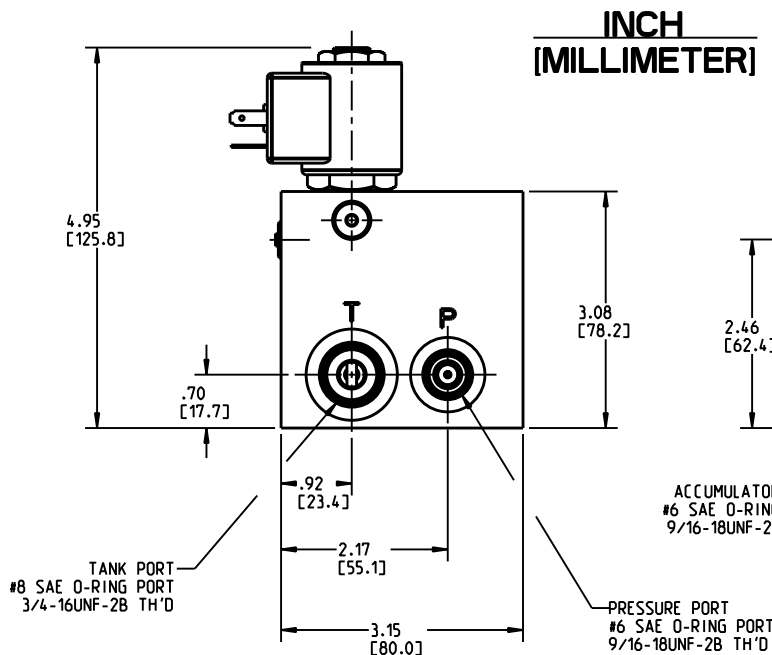
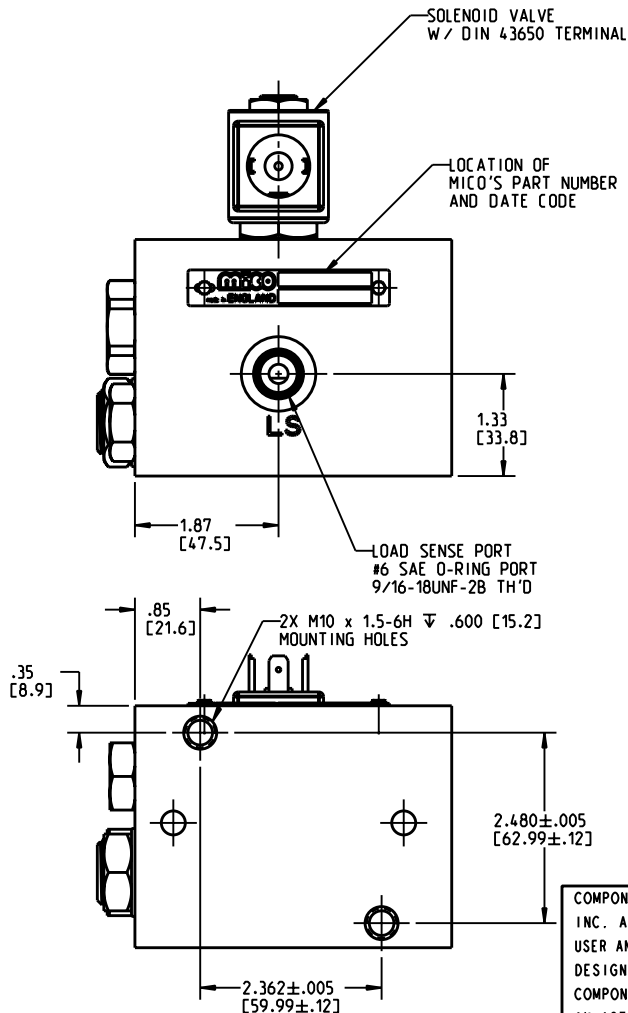


NOTES:

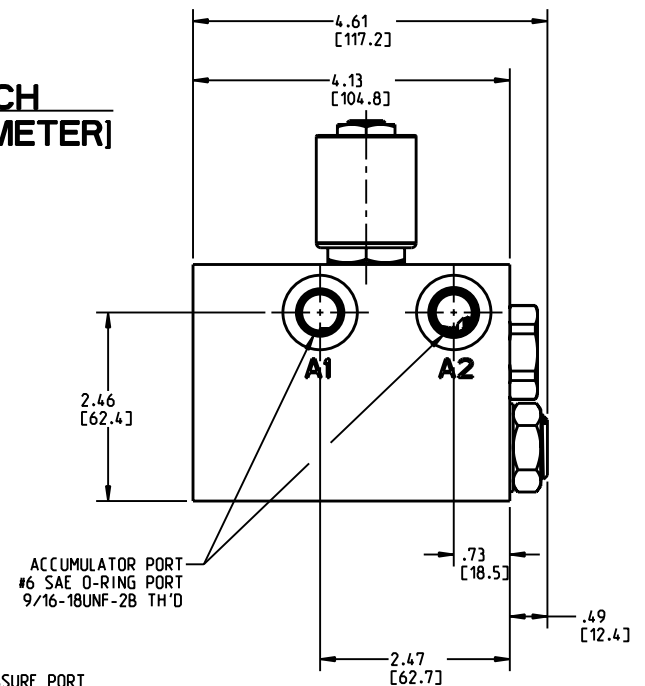
- 1) FOR USE WITH MINERAL BASE HYDRAULIC OIL.
- 2) VITON SEALS.
- 3) DIMENSIONS MAY VARY SLIGHTLY BETWEEN UNITS AND ARE FOR REFERENCE PURPOSES ONLY.
- 4) REPAIR KIT P/N 06-400-214.
REPAIR KIT DOES INCLUDE SEALS FOR SOLENOID VALVE.

PERFORMANCE CHARACTERISTICS:

- 1) SYSTEM RELIEF VALVE MUST BE SET BETWEEN 2650-3000 PSI.
- 2) ACCUMULATOR CHARGE LIMITS ARE SET AT 1900-2000 PSI LOW LIMIT TO 2350-2450 PSI HIGH LIMIT.
- 3) RECOMMENDED SYSTEM FLOW 2 TO 10 GPM.
- 4) ACCUMULATOR CHARGE RATE IS 1.2-2.2 GPM AT 1000 PSI.
- 5) EXTERNAL FILTRATION OF 10 MICRON OR BETTER IS REQUIRED.



INCH
(MILLIMETER)



COMPONENT AND SYSTEM RECOMMENDATIONS MADE BY MICO, INC. ARE BASED ON INFORMATION SUPPLIED BY POTENTIAL USER AND/OR SYSTEM DESIGNER. THE POTENTIAL USER AND/OR DESIGNER MUST MAKE FINAL ACCEPTANCE AND APPROVAL OF COMPONENTS AND SYSTEM AFTER TESTING PERFORMANCE ON AN ACTUAL APPLICATION FOR WHICH SYSTEM WAS DESIGNED.

MICO, INC. CLAIMS PROPRIETARY RIGHTS TO THE MATERIAL DISCLOSED IN THIS DOCUMENT. THIS DOCUMENT IS PROVIDED IN CONFIDENCE AND MAY NOT BE REPRODUCED OR DISCLOSED WITHOUT WRITTEN PERMISSION FROM MICO, INC. COPYRIGHT MICO, INC. ALL RIGHTS RESERVED.

TITLE UNLOADING DUAL LOAD SENSE CHARGE VALVE			
SCALE 0.400	APVD PROD ENGRG	DRAWING NUMBER 06-463-132	REV E
DRN JRA 11-Jul-03	APVD ENGRG PWB	CUSTOMER COPY 2'	