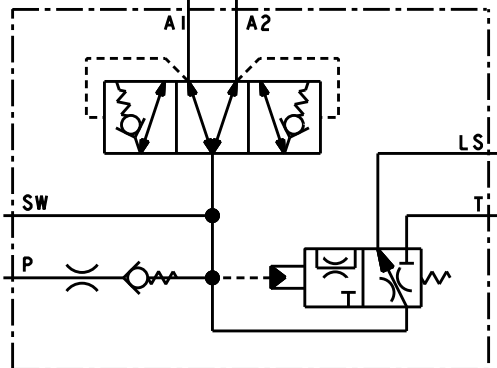
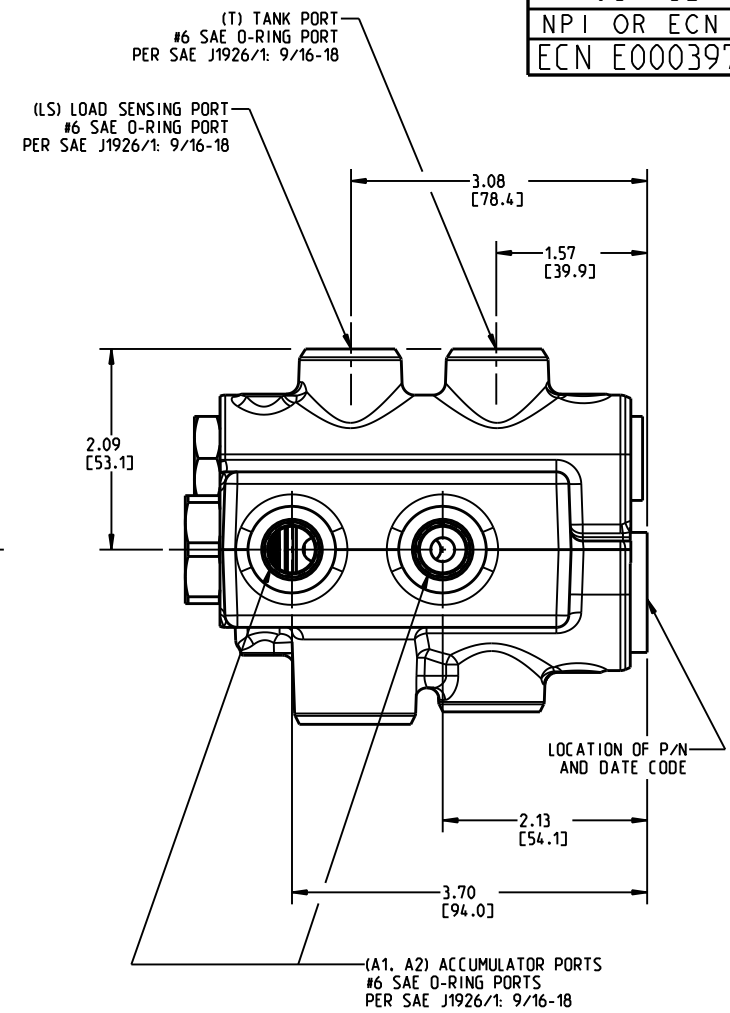
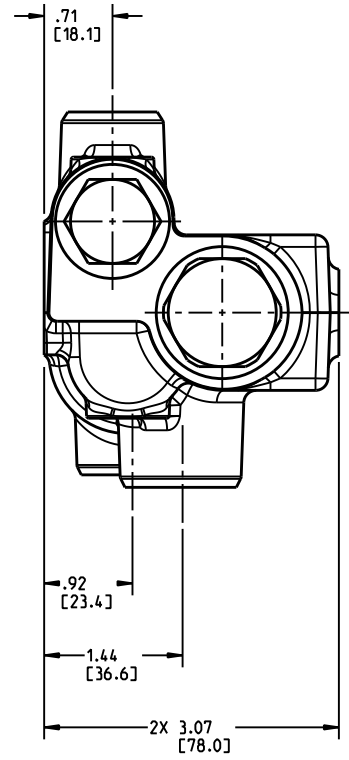
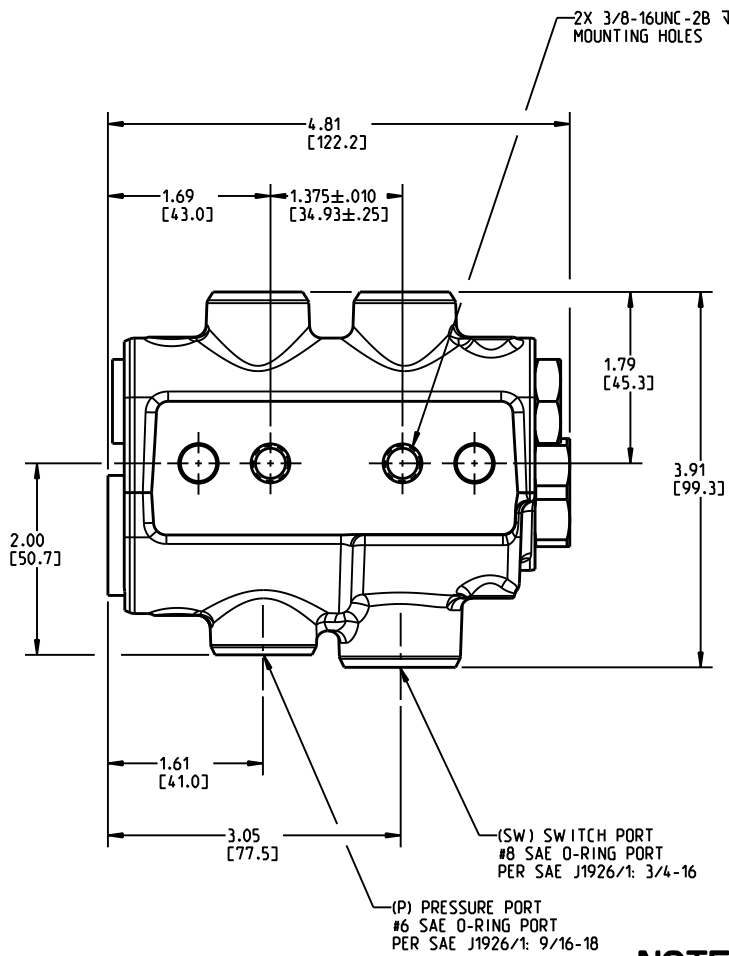


DRAWING NUMBER
06-463-104
NPI OR ECN NO
ECN E000397



NOTES:

- 1) FOR USE WITH MINERAL BASE HYDRAULIC OIL ONLY.
- 2) DIMENSIONS MAY VARY SLIGHTLY BETWEEN UNITS AND ARE FOR REFERENCE PURPOSES ONLY. MILLIMETER VALUES MAY NOT BE AN EXACT CONVERSION OF INCH VALUES.
- 3) CHARGE VALVE REPAIR KIT P/N 06-400-107.
- 4) SURFACE COATING: CATERPILLAR YELLOW.

PERFORMANCE CHARACTERISTICS:

- 1) SYSTEM RELIEF VALVE MUST BE 2675±325 PSI [184.4±22.4 bar].
- 2) ACCUMULATOR CHARGING LIMITS ARE SET AT 1725±50 PSI [118.9±3.4 bar] LOW LIMIT TO 2100±50 PSI [144.8±3.4 bar] HIGH LIMIT.
- 3) EXTERNAL ORIFICE REQUIRED TO CONTROL ACCUMULATOR CHARGE RATE. CUSTOMER TO PROVIDE ORIFICE FOR NOMINAL CHARGE RATE OF 3 GPM [11.4 LPM].
- 4) EXTERNAL FILTRATION OF 10 MICRON OR BETTER IS REQUIRED.

COMPONENT AND SYSTEM RECOMMENDATIONS MADE BY MICO, INC ARE BASED ON INFORMATION SUPPLIED BY POTENTIAL USER AND/OR SYSTEM DESIGNER. THE POTENTIAL USER AND/OR DESIGNER MUST MAKE FINAL ACCEPTANCE AND APPROVAL OF COMPONENTS AND SYSTEM AFTER TESTING PERFORMANCE ON AN ACTUAL APPLICATION FOR WHICH SYSTEM WAS DESIGNED.

MICO, INC CLAIMS PROPRIETARY RIGHTS TO THE MATERIAL DISCLOSED IN THIS DOCUMENT. THIS DOCUMENT IS PROVIDED IN CONFIDENCE AND MAY NOT BE REPRODUCED OR DISCLOSED WITHOUT WRITTEN PERMISSION FROM MICO, INC. COPYRIGHT MICO, INC. ALL RIGHTS RESERVED.

INCH
(MILLIMETER)

MICO[®]
North Mankato, Minnesota USA

| | | | | |
|-----------------------|-----------------------------------|---------------------------------|------------------------------|----------|
| SCALE 0.500 | | TITLE ACV-DMN-LSB-119-145-11 | | |
| DWN ETM 2012-01-27 | APVD PROD ENGRG DPD 2012-02-01 | SIZE A | DRAWING NUMBER 06-463-104 | REV M |
| X NO | APVD ENGRG PWB 2012-01-31 | | CUSTOMER COPY | 1 1 |