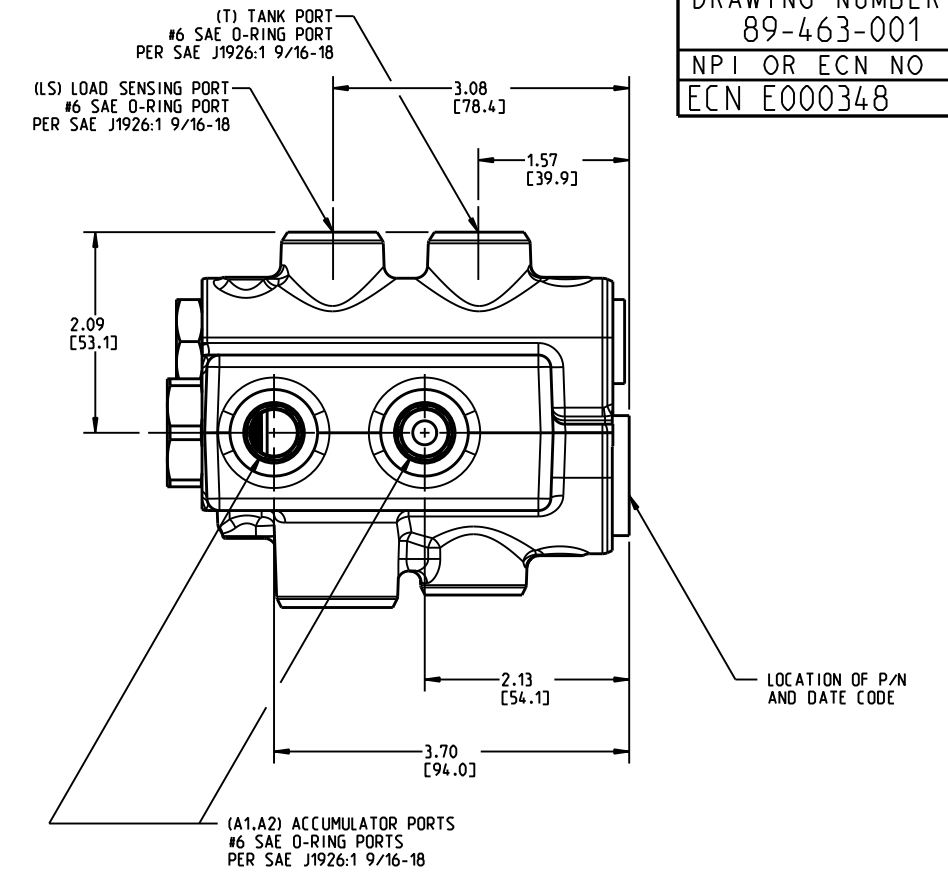
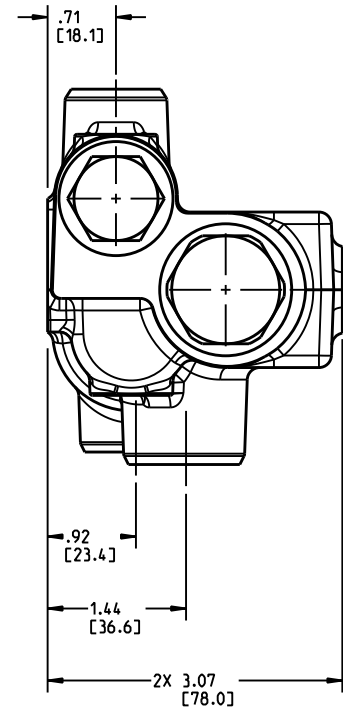
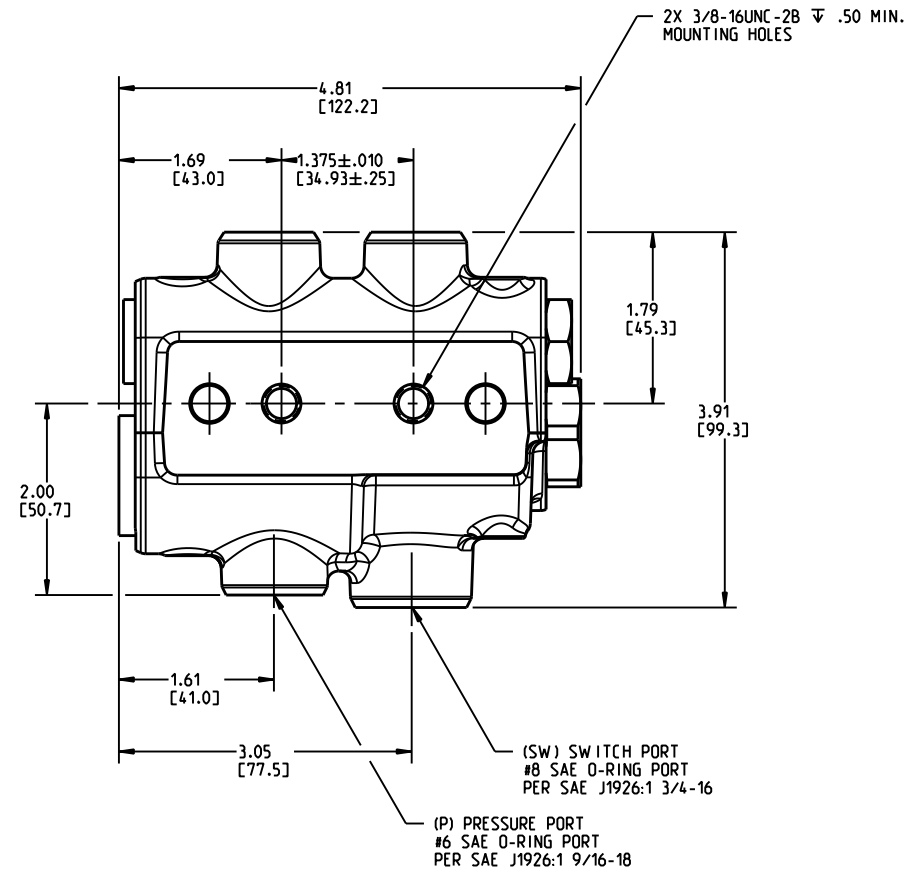
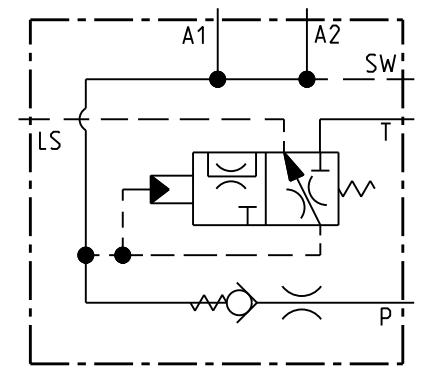


DRAWING NUMBER  
89-463-001  
NPI OR ECN NO  
ECN E000348



PART NUMBER	REVISION	DESCRIPTION	RELIEF VALVE SETTING (PSI [bar])	ACCUMULATOR CHARGING LOW LIMIT (PSI [bar])	ACCUMULATOR CHARGING HIGH LIMIT (PSI [bar])	ACCUMULATOR CHARGE RATE (GPM [LPM])	PUMP MUST CONTAIN BLEED DOWN ORIFICE
06-463-102	J	ACV-SMN-LSB-74-107-6	2400±600 [165.5±41.4]	1075±50 [74.1±3.4]	1550±50 [106.9±3.4]	1.5±0.5 [5.7±1.9]	NO
06-463-106	F	ACV-SMN-LSB-104-129-10	2550±450 [175.8±31.0]	1513±38 [104.3±2.6]	1875±25 [129.3±1.7]	2.7±0.5 [10.2±1.9]	NO
06-463-108	G	ACV-SMN-LSB-117-159-11	2750±250 [189.6±17.2]	1700±50 [117.2±3.4]	2300±50 [158.6±3.4]	3.0±0.5 [11.4±1.9]	NO
06-463-110	F	ACV-SMN-LSB-116-141-11	2700±400 [186.2±27.6]	1675±50 [115.5±3.4]	2050±50 [141.3±3.4]	3.0±0.5 [11.4±1.9]	NO
06-463-112	F	ACV-SMN-LSB-117-159-15	2750±250 [189.6±17.2]	1700±50 [117.2±3.4]	2300±50 [158.6±3.4]	4.0±0.5 [15.1±1.9]	NO
06-463-114	E	ACV-SMN-LSB-93-114-11	2450±550 [168.9±37.9]	1350±50 [93.1±3.4]	1650±50 [113.8±3.4]	3.0±.5 [11.4±1.9]	NO
06-463-116	E	ACV-SMN-LSB-83-103-6	2375±625 [163.8±43.1]	1200±50 [82.7±3.4]	1500±50 [103.4±3.4]	1.5±0.5 [5.7±1.9]	NO
06-463-136	D	ACV-SMN-LS-128-166-15	2825±175 [194.8±12.1]	1850±50 [127.6±3.4]	2400±50 [165.5±3.4]	4.0 MIN. [15.1]	YES
06-463-158	B	ACV-SMN-LSB-153-186-11	2950±50 [203.4±3.4]	2225±50 [153.4±3.4]	2700±50 [186.2±3.4]	3.0±0.5 [11.4±1.9]	NO



**NOTES:**

- 1) FOR USE WITH MINERAL BASE HYDRAULIC OIL ONLY.
- 2) DIMENSIONS MAY VARY SLIGHTLY BETWEEN UNITS AND ARE FOR REFERENCE PURPOSES ONLY. MILLIMETER VALUES MAY NOT BE AN EXACT CONVERSION OF INCH VALUES.
- 3) CHARGE VALVE REPAIR KIT P/N 06-400-107.
- 4) SURFACE COATING: OLIVE DRAB PRIMER PER DOD-P-15328

**PERFORMANCE CHARACTERISTICS:**

- 1) OPERATING MARGIN OF 220 PSI [15.2 bar]. ACCUMULATOR CHARGE RATE WILL CHANGE PROPORTIONALLY WITH CHANGES IN OPERATING MARGIN.
- 2) OPERATING TEMPERATURE RANGE: -40 TO 230 °F [-40 TO 110 °C]
- 3) OPERATING VISCOSITY RANGE: 7 TO 2000 cSt.
- 4) EXTERNAL FILTRATION OF 10 MICRON OR BETTER IS REQUIRED.

**INCH  
(MILLIMETER)**

COMPONENT AND SYSTEM RECOMMENDATIONS MADE BY MICO, INC ARE BASED ON INFORMATION SUPPLIED BY POTENTIAL USER AND/OR SYSTEM DESIGNER. THE POTENTIAL USER AND/OR DESIGNER MUST MAKE FINAL ACCEPTANCE AND APPROVAL OF COMPONENTS AND SYSTEM AFTER TESTING PERFORMANCE ON AN ACTUAL APPLICATION FOR WHICH SYSTEM WAS DESIGNED.

MICO, INC CLAIMS PROPRIETARY RIGHTS TO THE MATERIAL DISCLOSED IN THIS DOCUMENT. THIS DOCUMENT IS PROVIDED IN CONFIDENCE AND MAY NOT BE REPRODUCED OR DISCLOSED WITHOUT WRITTEN PERMISSION FROM MICO, INC. COPYRIGHT MICO, INC. ALL RIGHTS RESERVED.

**mico**  
North Mankato, Minnesota USA

SCALE 0.500		TITLE ACV-SMN-LS	
DWN ETM 2011-09-28	APVD PROD ENGRG DPD 2011-10-17	SIZE B	DRAWING NUMBER 89-463-001
X NO	APVD ENGRG PWB 2011-09-30		REV A
		CUSTOMER COPY	