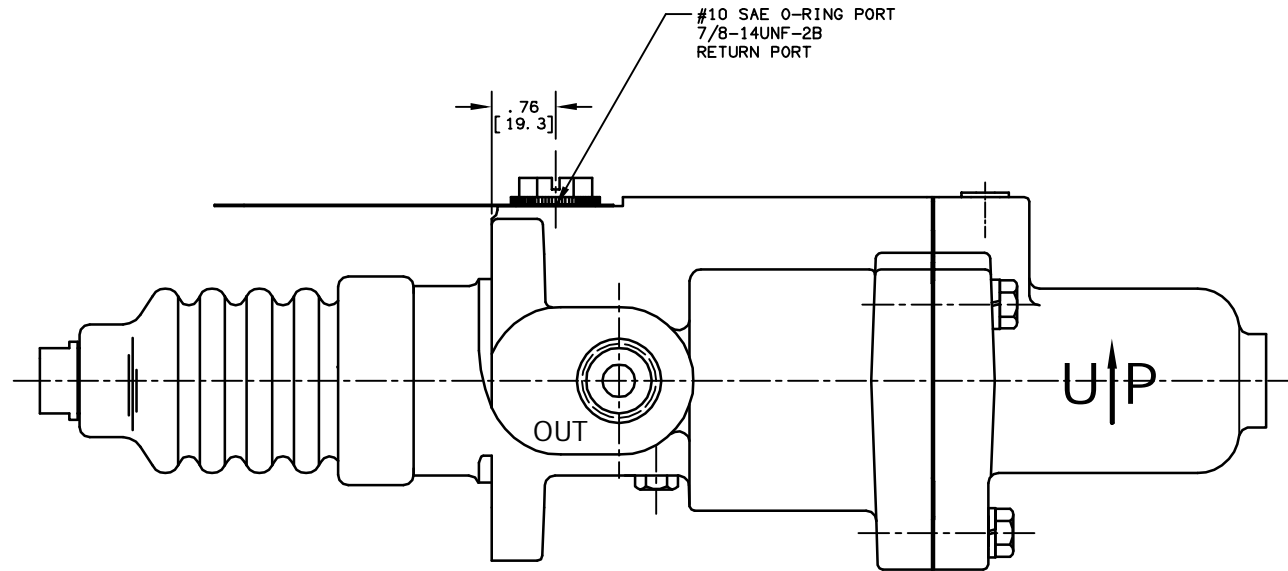
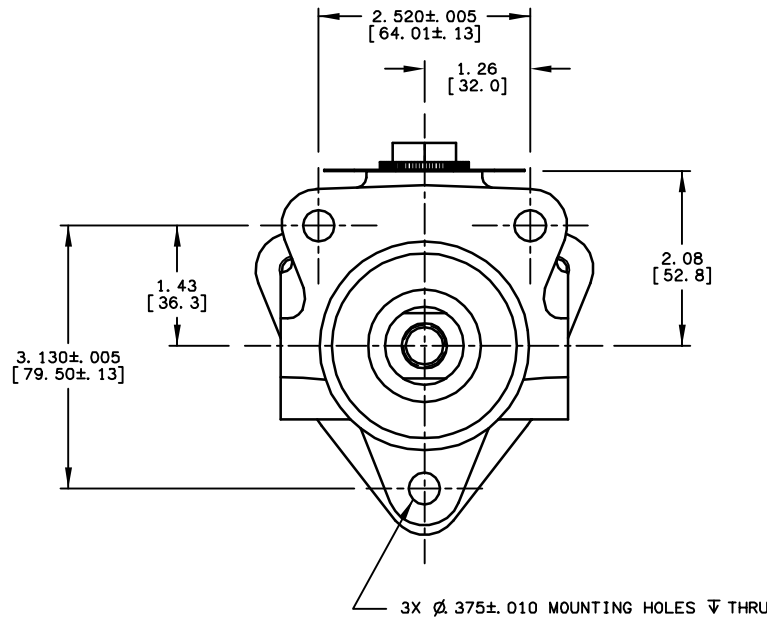
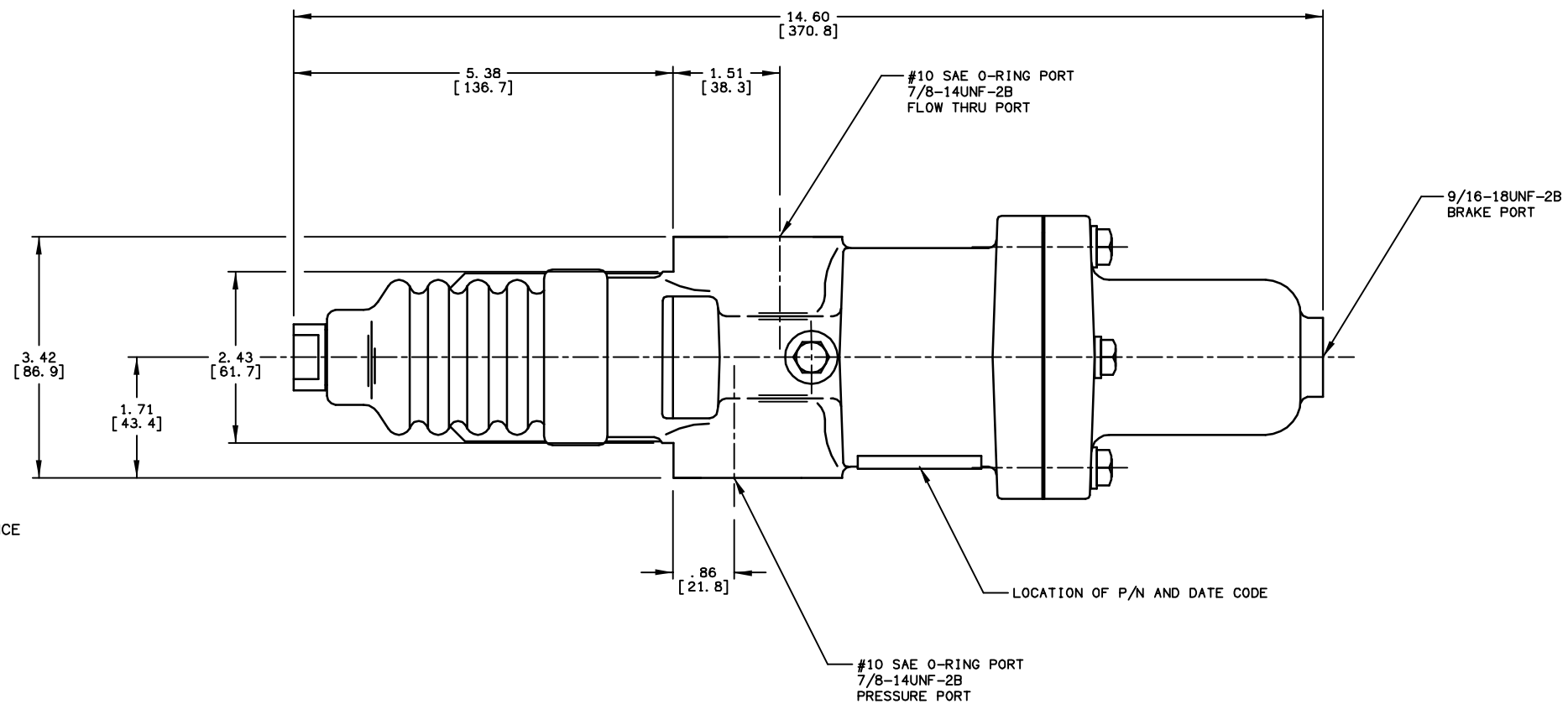


DRAWING NUMBER
06-460-688
NPI OR ECN NO
ECN A000595



ATTENTION!
This is a
#10 SAE O-ring Port
DO NOT USE
PIPE FITTINGS

TOP VIEW OF TAG



NOTES:

- 1) FOR USE WITH MINERAL BASED HYDRAULIC OIL ONLY.
- 2) DIMENSIONS MAY VARY BETWEEN UNITS AND ARE FOR REFERENCE PURPOSES ONLY. MILLIMETER VALUES MAY NOT BE AN EXACT CONVERSION OF INCH VALUES.
- 3) VALVE MUST BE MOUNTED WITH RETURN PORT ON TOP.
- 4) APPROXIMATE WEIGHT OF ASSEMBLY: 14.5 LBS.
- 5) REPAIR KIT P/N 06-459-010.
- 6) FINISH: BLACK ENAMEL PAINT

PERFORMANCE CHARACTERISTICS:

- 1) POWER BRAKING PRESSURE 530-630 PSI WITH 130 LBS. LINK FORCE AND 240-310 PSI. AT PRESSURE PORT. LINK STROKE .145-.175 NOM.
- 2) MECHANICAL BRAKING-LINK FORCE 1250 LBS. AT 600 PSI BRAKE PRESSURE. FULL LINK STROKE 1.760-1.928.
- 3) MASTER PISTON STROKE: 1.557-1.655.
- 4) PRESSURE DROP: 25 PSI AT 8 GPM.
- 5) FLOW RANGE: 3-24 GPM.

INCH
[**MILLIMETER**]



COMPONENT AND SYSTEM RECOMMENDATIONS MADE BY MICO, INC. ARE BASED ON INFORMATION SUPPLIED BY POTENTIAL USER AND/OR SYSTEM DESIGNER. THE POTENTIAL USER AND/OR DESIGNER MUST MAKE FINAL ACCEPTANCE AND APPROVAL OF COMPONENTS AND SYSTEM AFTER TESTING PERFORMANCE ON AN ACTUAL APPLICATION FOR WHICH SYSTEM WAS DESIGNED.

MICO, INC CLAIMS PROPRIETARY RIGHTS TO THE MATERIAL DISCLOSED IN THIS DOCUMENT. THIS DOCUMENT IS PROVIDED IN CONFIDENCE AND MAY NOT BE REPRODUCED OR DISCLOSED WITHOUT WRITTEN PERMISSION FROM MICO, INC. COPYRIGHT MICO, INC. ALL RIGHTS RESERVED.

SCALE .4375	TITLE OPEN CENTER POWER BRAKE VALVE		
DWN LAM 8-5-04	APVD PROD ENGRG	SIZE B	DRAWING NUMBER 06-460-688
X NO X7099	APVD ENGRG BSW	REV C	CUSTOMER COPY