

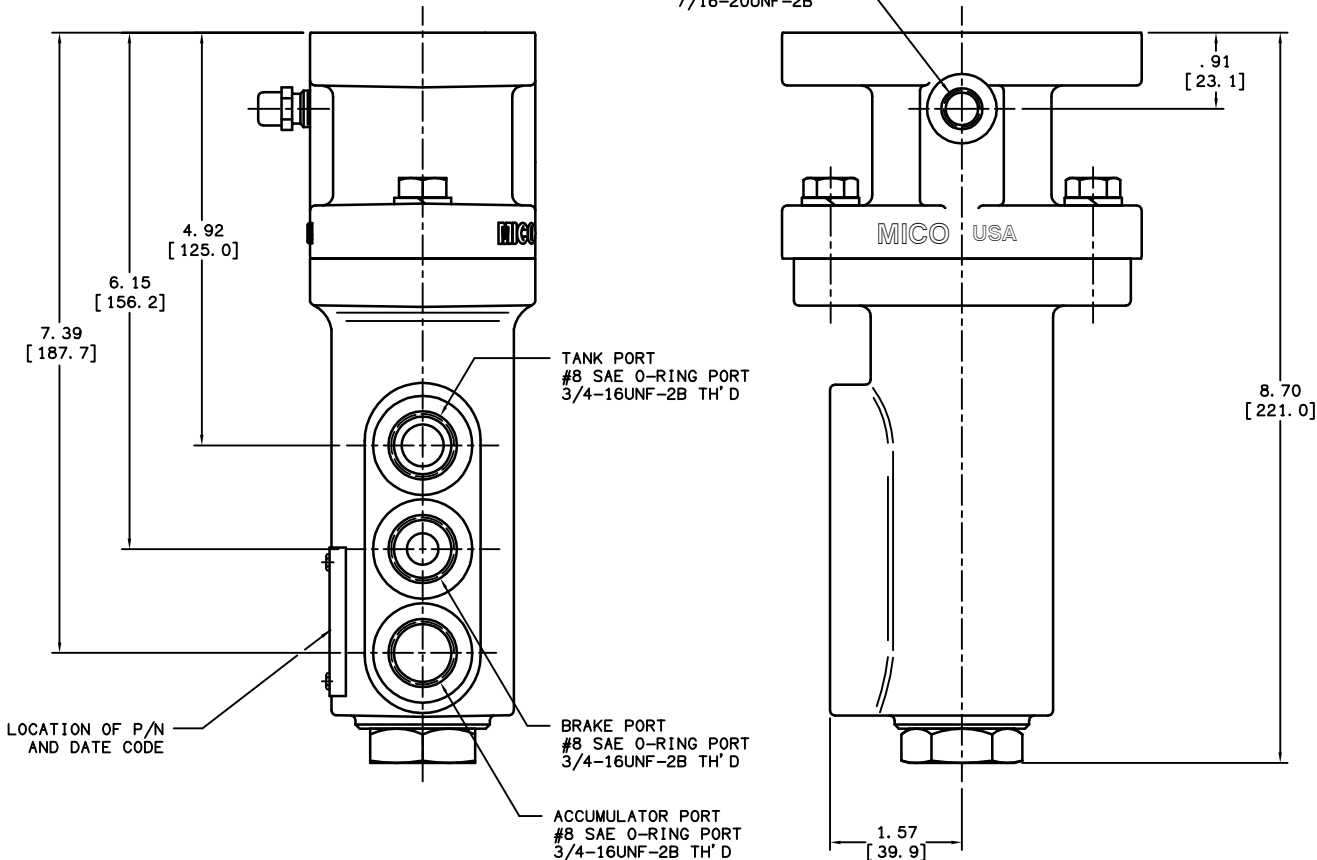
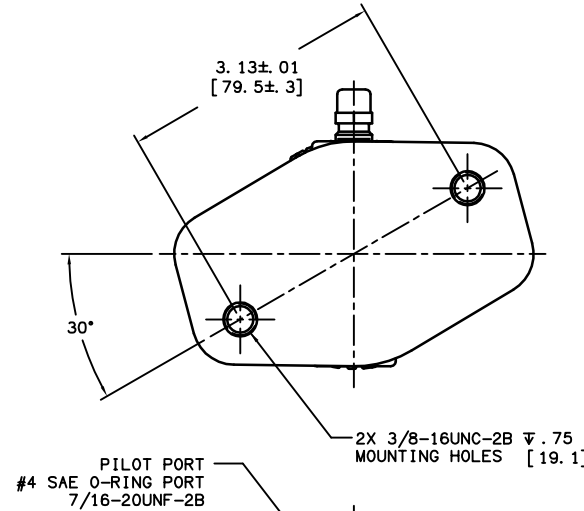
DRAWING NUMBER  
06-460-462  
NPI OR ECN NO  
NPI A000239

**NOTES:**

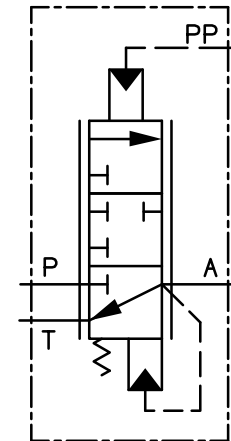
- 1) FOR USE WITH MINERAL BASE HYDRAULIC OIL ONLY.
- 2) DIMENSIONS MAY VARY SLIGHTLY BETWEEN UNITS AND ARE TO BE USED FOR REFERENCE PURPOSES ONLY.
- 3) REPAIR KIT P/N 06-400-236.
- 4) SURFACE COATING: BLACK ENAMEL PAINT.

**PERFORMANCE CHARACTERISTICS:**

- 1) MAXIMUM OUT PRESSURE SETTING IS 1650-1750 PSI.
- 2) VALVE REQUIRES APPROXIMATELY 1500 PSI PILOT PRESSURE TO PRODUCE 1700 PSI BRAKE PRESSURE.



**INCH**  
**[MILLIMETER]**



COMPONENT AND SYSTEM RECOMMENDATIONS MADE BY MICO, INC. ARE BASED ON INFORMATION SUPPLIED BY POTENTIAL USER AND/OR SYSTEM DESIGNER. THE POTENTIAL USER AND/OR DESIGNER MUST MAKE FINAL ACCEPTANCE AND APPROVAL OF COMPONENTS AND SYSTEM AFTER TESTING PERFORMANCE ON AN ACTUAL APPLICATION FOR WHICH SYSTEM WAS DESIGNED.

MICO, INC. CLAIMS PROPRIETARY RIGHTS TO THE MATERIAL DISCLOSED IN THIS DOCUMENT. THIS DOCUMENT IS PROVIDED IN CONFIDENCE AND MAY NOT BE REPRODUCED OR DISCLOSED WITHOUT WRITTEN PERMISSION FROM MICO, INC. COPYRIGHT MICO, INC. ALL RIGHTS RESERVED.

SCALE .4375	TITLE RELAY VALVE			
DWN SEYS 3-26-07	APVD PROD ENGRG JK 28-MAR-2007	SIZE A	DRAWING NUMBER 06-460-462	REV A
X NO 06-1273	APVD ENGRG BSW 28-MAR-2007	CUSTOMER COPY		