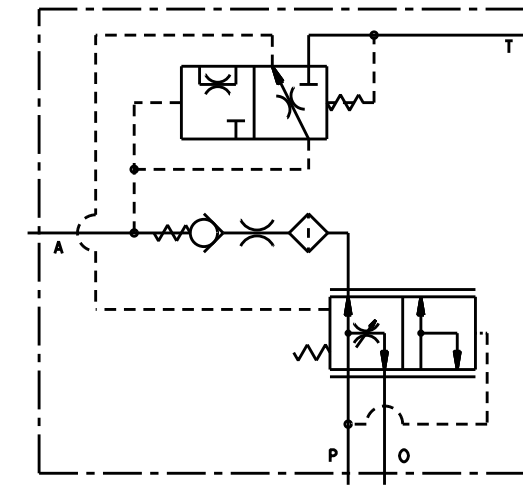
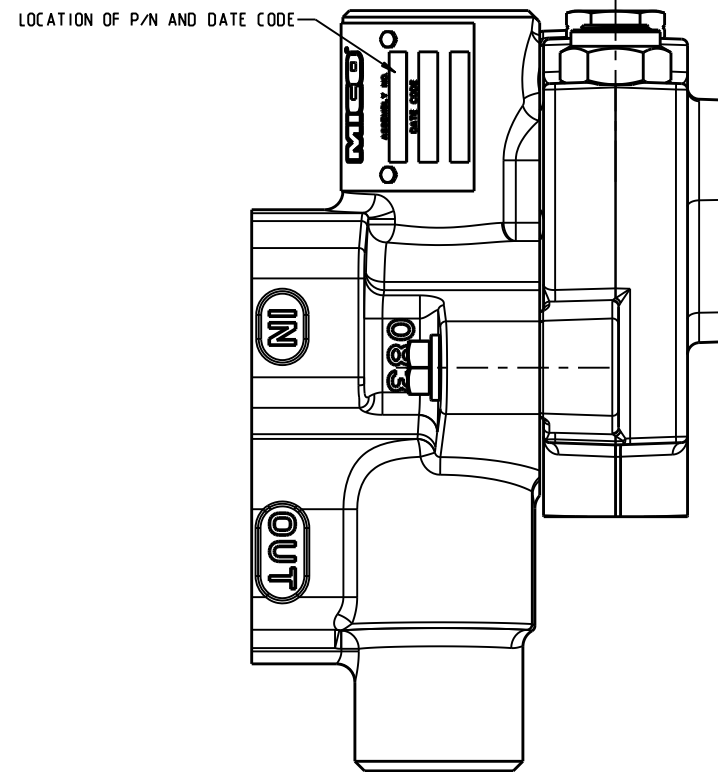
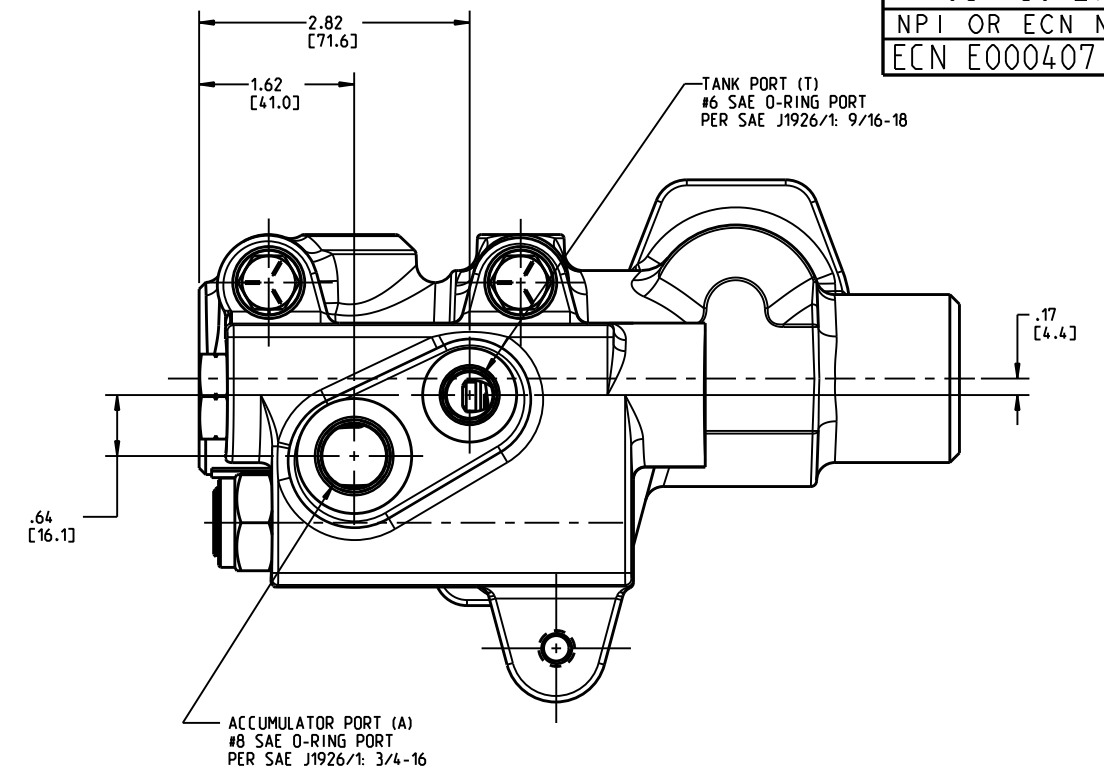
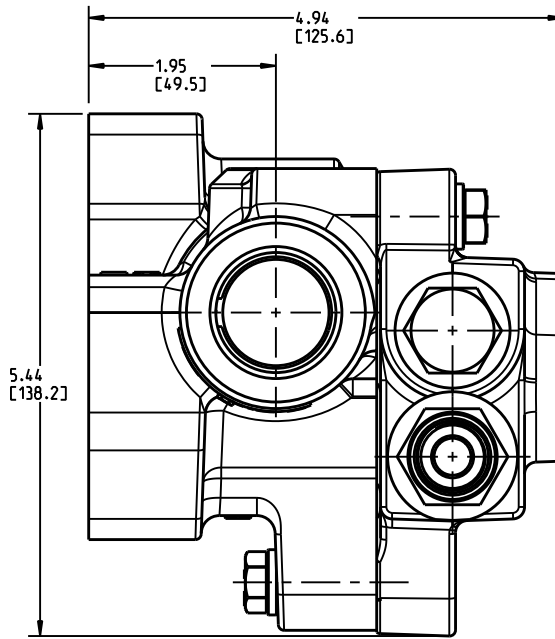
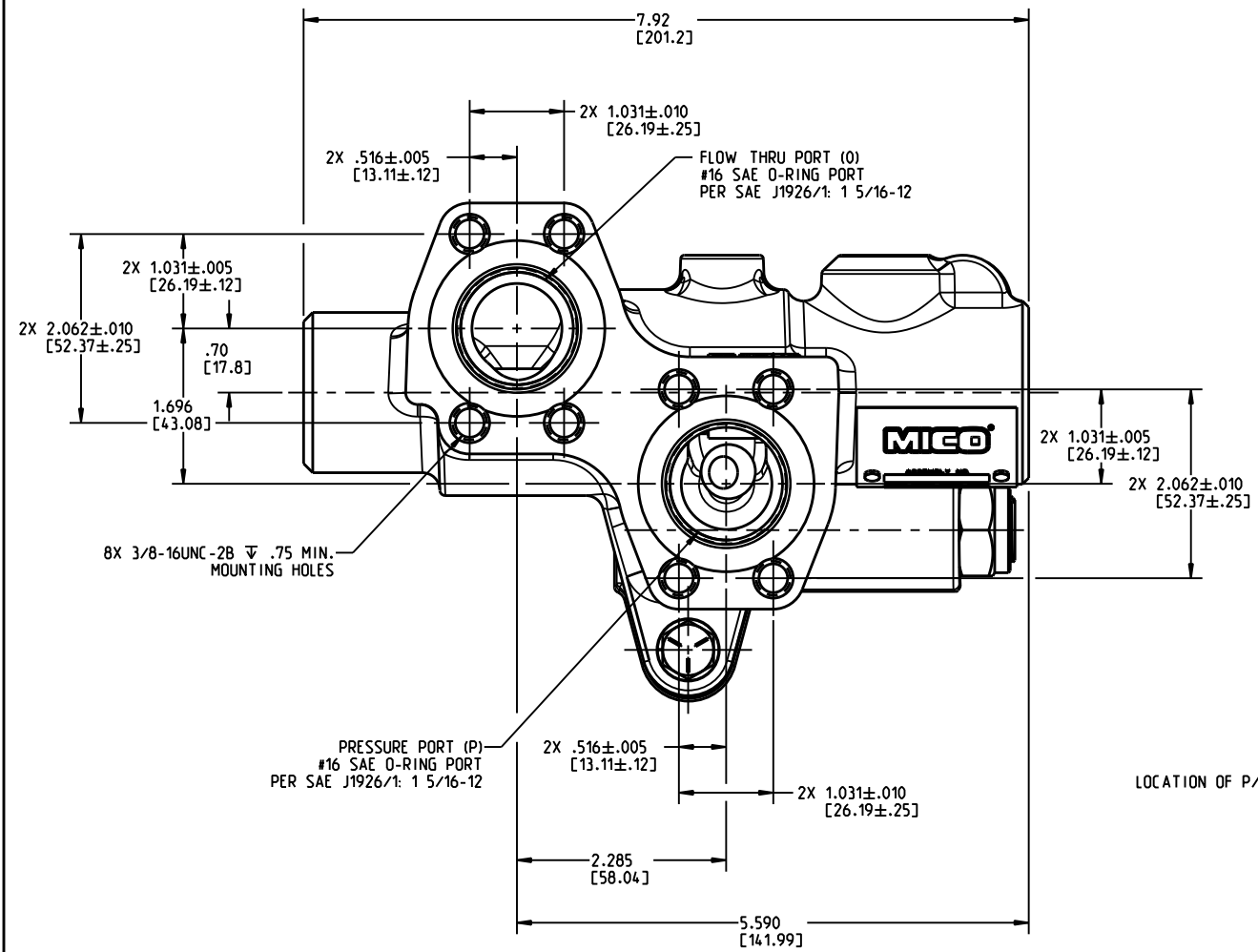


DRAWING NUMBER  
06-460-298  
NPI OR ECN NO  
ECN E000407



INCH  
[MILLIMETER]

**NOTES:**

1. FOR USE WITH MINERAL BASE HYDRAULIC OIL ONLY.
2. DIMENSIONS MAY VARY BETWEEN UNITS AND ARE FOR REFERENCE PURPOSES ONLY. MILLIMETER VALUES MAY NOT BE AN EXACT CONVERSION OF INCH VALUES.
3. REPAIR KIT P/N: 06-400-084
4. SURFACE COATING: BLACK ENAMEL PAINT.

**PERFORMANCE CHARACTERISTICS:**

1. SYSTEM RELIEF VALVE NOT INCLUDED.
2. RECOMMENDED SYSTEM FLOW IS 2 TO 35 GPM [8 TO 132 LPM].
3. FLOW THRU PRESSURE DROP IS APPROXIMATELY 20 PSI [1 BAR] AT 35 GPM [132 LPM] WITH 14 CENTISTOKE OIL.
4. INTERNAL FILTRATION IS 54 MICRON OR BETTER.
5. EXTERNAL FILTRATION OF 10 MICRON OR BETTER IS RECOMMENDED.

ALLOWABLE SYSTEM RELIEF VALVE PRESSURE (PSI [bar])	ACCUMULATOR CHARGING LOW LIMIT (PSI [bar])	ACCUMULATOR CHARGING HIGH LIMIT (PSI [bar])	ACCUMULATOR CHARGE RATE (GPM [LPM])
2600±400 [179.3±27.6]	1600±50 [110.3±3.4]	2000±25 [137.9±1.7]	1.7±0.5 [6.4±1.9]

COMPONENT AND SYSTEM RECOMMENDATIONS MADE BY MICO, INC ARE BASED ON INFORMATION SUPPLIED BY POTENTIAL USER AND/OR SYSTEM DESIGNER. THE POTENTIAL USER AND/OR DESIGNER MUST MAKE FINAL ACCEPTANCE AND APPROVAL OF COMPONENTS AND SYSTEM AFTER TESTING PERFORMANCE ON AN ACTUAL APPLICATION FOR WHICH SYSTEM WAS DESIGNED.

MICO, INC CLAIMS PROPRIETARY RIGHTS TO THE MATERIAL DISCLOSED IN THIS DOCUMENT. THIS DOCUMENT IS PROVIDED IN CONFIDENCE AND MAY NOT BE REPRODUCED OR DISCLOSED WITHOUT WRITTEN PERMISSION FROM MICO, INC. COPYRIGHT MICO, INC. ALL RIGHTS RESERVED.

**MICO**  
North Mankato, Minnesota USA

SCALE 0.500	TITLE ACV-SM013-110-138-6U		
DWN MAP 2012-02-17	APVD PROD ENGRG	SIZE B	DRAWING NUMBER 06-460-298
X NO .	APVD ENGRG PWB 2012-03-05		REV C 0 0

CUSTOMER COPY