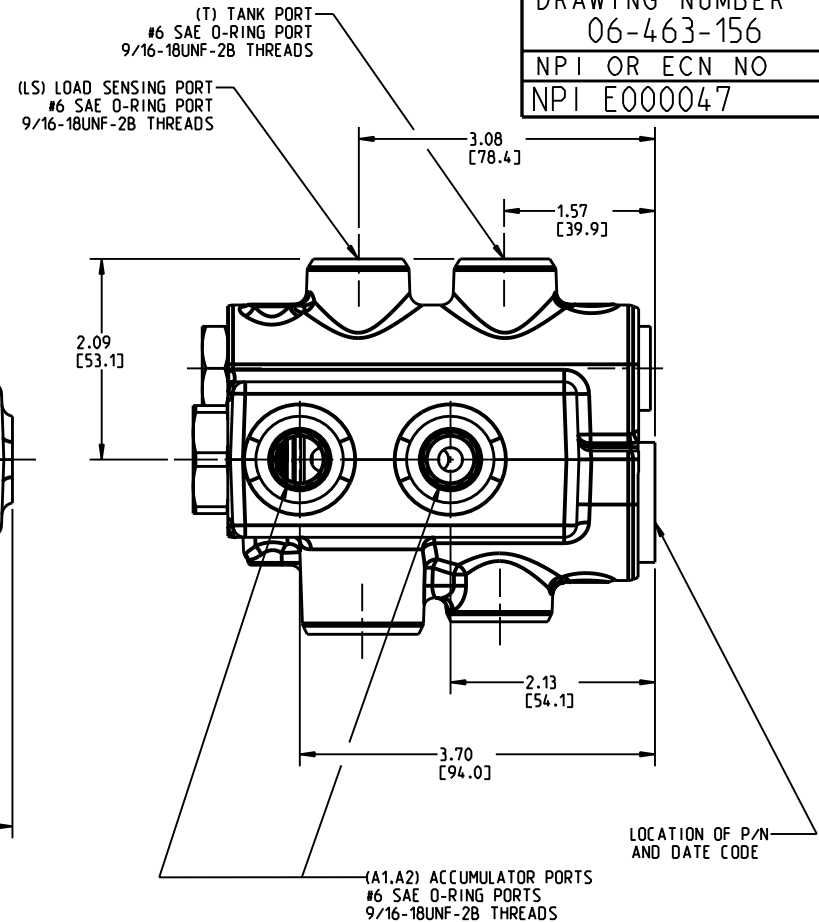
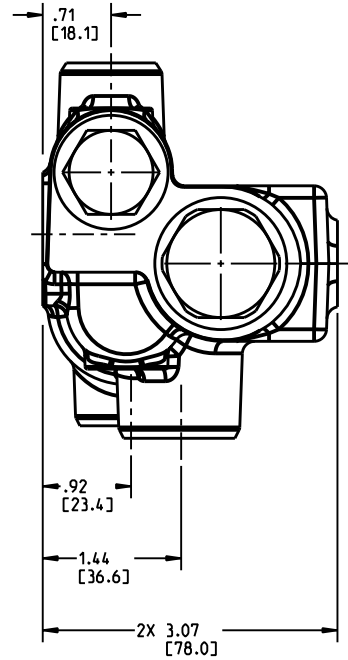
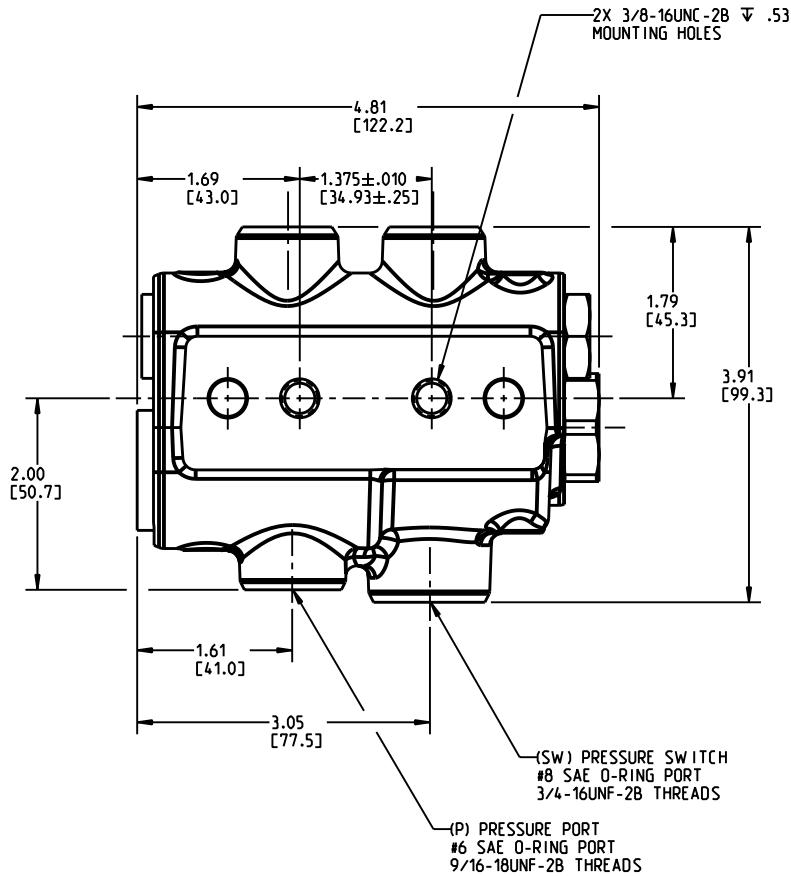


DRAWING NUMBER
06-463-156
NPI OR ECN NO
NPI E000047

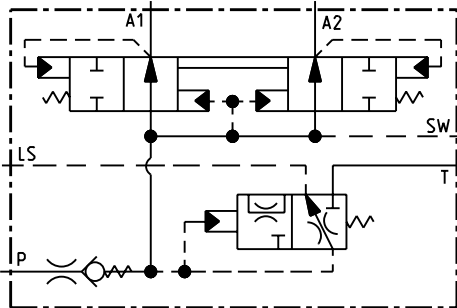


NOTES:

- 1) FOR USE WITH MINERAL BASE HYDRAULIC OIL ONLY.
- 2) DIMENSIONS MAY VARY SLIGHTLY BETWEEN UNITS AND ARE FOR REFERENCE PURPOSES ONLY. MILLIMETER VALUES MAY NOT BE AN EXACT CONVERSION OF INCH VALUES.
- 3) CHARGE VALVE REPAIR KIT P/N 06-400-107.
- 4) SURFACE COATING: OLIVE DRAB PRIMER PER DOD-P-15328 SPECIFICATION.

PERFORMANCE CHARACTERISTICS:

- 1) SYSTEM RELIEF VALVE MUST BE SET BETWEEN 2550-3000 PSI.
- 2) ACCUMULATOR CHARGING LIMITS ARE SET AT 1800-1900 PSI LOW LIMIT TO 2250-2350 PSI HIGH LIMIT.
- 3) ACCUMULATOR CHARGE RATE IS 3.5±0.5 GPM AT 1000 PSI. (WITH 0.8 GPM MAX. PUMP LEAKAGE IN LOAD SENSE LINE).
- 4) EXTERNAL FILTRATION OF 10 MICRON OR BETTER IS REQUIRED.
- 5) PUMP MUST CONTAIN BLEED DOWN ORIFICE.



INCH
(MILLIMETER)



North Mankato, Minnesota USA

COMPONENT AND SYSTEM RECOMMENDATIONS MADE BY MICO, INC ARE BASED ON INFORMATION SUPPLIED BY POTENTIAL USER AND/OR SYSTEM DESIGNER. THE POTENTIAL USER AND/OR DESIGNER MUST MAKE FINAL ACCEPTANCE AND APPROVAL OF COMPONENTS AND SYSTEM AFTER TESTING PERFORMANCE ON AN ACTUAL APPLICATION FOR WHICH SYSTEM WAS DESIGNED.

MICO, INC CLAIMS PROPRIETARY RIGHTS TO THE MATERIAL DISCLOSED IN THIS DOCUMENT. THIS DOCUMENT IS PROVIDED IN CONFIDENCE AND MAY NOT BE REPRODUCED OR DISCLOSED WITHOUT WRITTEN PERMISSION FROM MICO, INC. COPYRIGHT MICO, INC. ALL RIGHTS RESERVED.

SCALE 0.500	TITLE DUAL LOAD SENSING CHARGE VALVE			
DWN JRA 26-Apr-04	APVD PROD ENGRG	SIZE A	DRAWING NUMBER 06-463-156	REV A
X NO X7764	APVD ENGRG PWB		CUSTOMER COPY	0- 0-