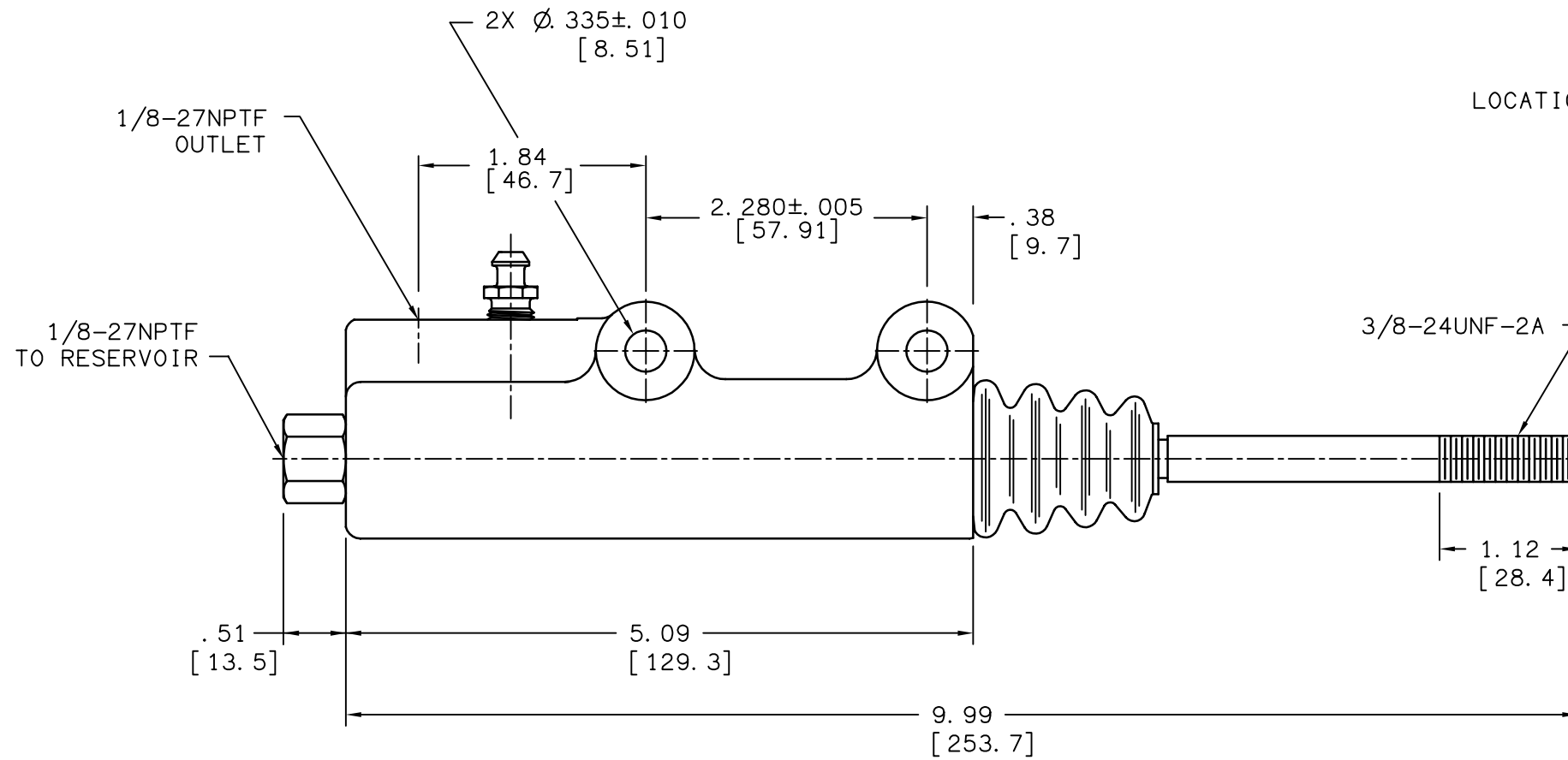
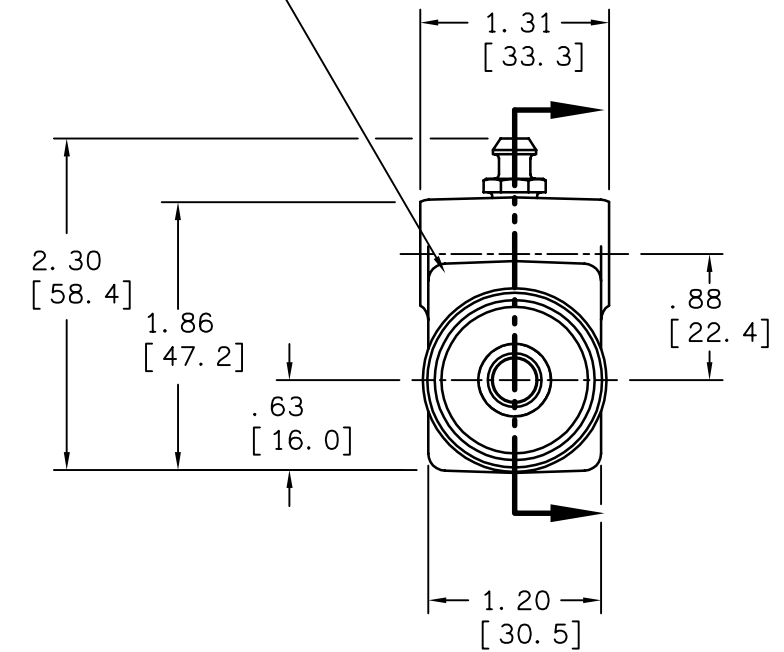


PART NUMBER
04-020-099
NPI OR ECN NO.
ECN B000220



LOCATION OF DATE CODE & P/N



NOTES:

1. FOR USE WITH DOT 3, 4, OR 5 BRAKE FLUID ONLY.
2. DIMENSIONS MAY VARY SLIGHTLY BETWEEN UNITS AND ARE TO BE USED FOR REFERENCE PURPOSES ONLY.
3. HOUSING IS ELCTROLESS NICKEL PLATED.
4. REPAIR KIT P/N 02-001-283.

PERFORMANCE CHARACTERISTICS:

1. BORE - .750 IN.
2. STROKE - 1.300 IN. MAX.
3. DISPLACEMENT - .551 CUIN MAX.
4. OUTPUT PRESSURE - 1500 PSI MAX.

INCH
[MILLIMETER]



COMPONENT AND SYSTEM RECOMMENDATIONS MADE BY MICO, INC. ARE BASED ON INFORMATION SUPPLIED BY POTENTIAL USER AND/OR SYSTEM DESIGNER. THE POTENTIAL USER AND/OR DESIGNER MUST MAKE FINAL ACCEPTANCE AND APPROVAL OF COMPONENTS AND SYSTEM AFTER TESTING PERFORMANCE ON AN ACTUAL APPLICATION FOR WHICH SYSTEM WAS DESIGNED.		MICO, INC. CLAIMS PROPRIETARY RIGHTS TO THE MATERIAL DISCLOSED IN THIS DOCUMENT. THIS DOCUMENT IS PROVIDED IN CONFIDENCE AND MAY NOT BE REPRODUCED OR DISCLOSED WITHOUT WRITTEN PERMISSION FROM MICO, INC. COPYRIGHT MICO, INC. ALL RIGHTS RESERVED.	
TITLE MASTER CYLINDER			
SCALE .75	CHECKED SH 25-Jan-02	PART NUMBER 04-020-099	REV D
DRN MAP 15-Jan-02	APP ENG JC 18-Jan-02	CUSTOMER COPY	