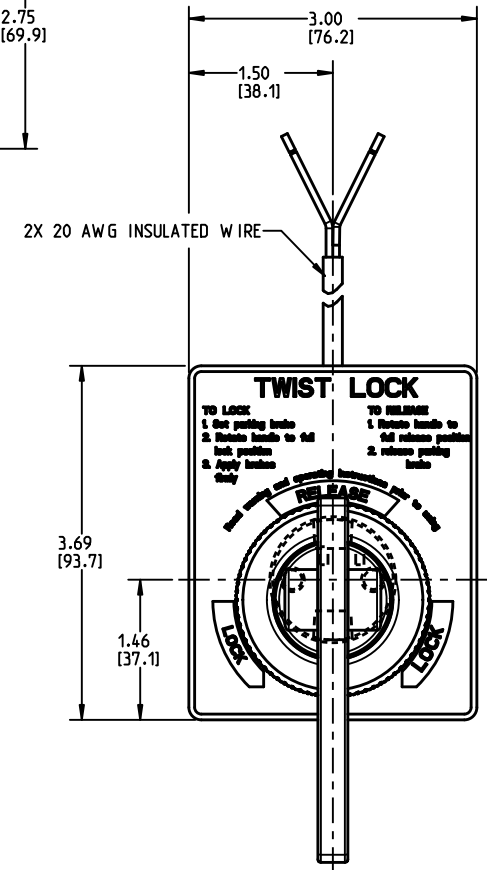
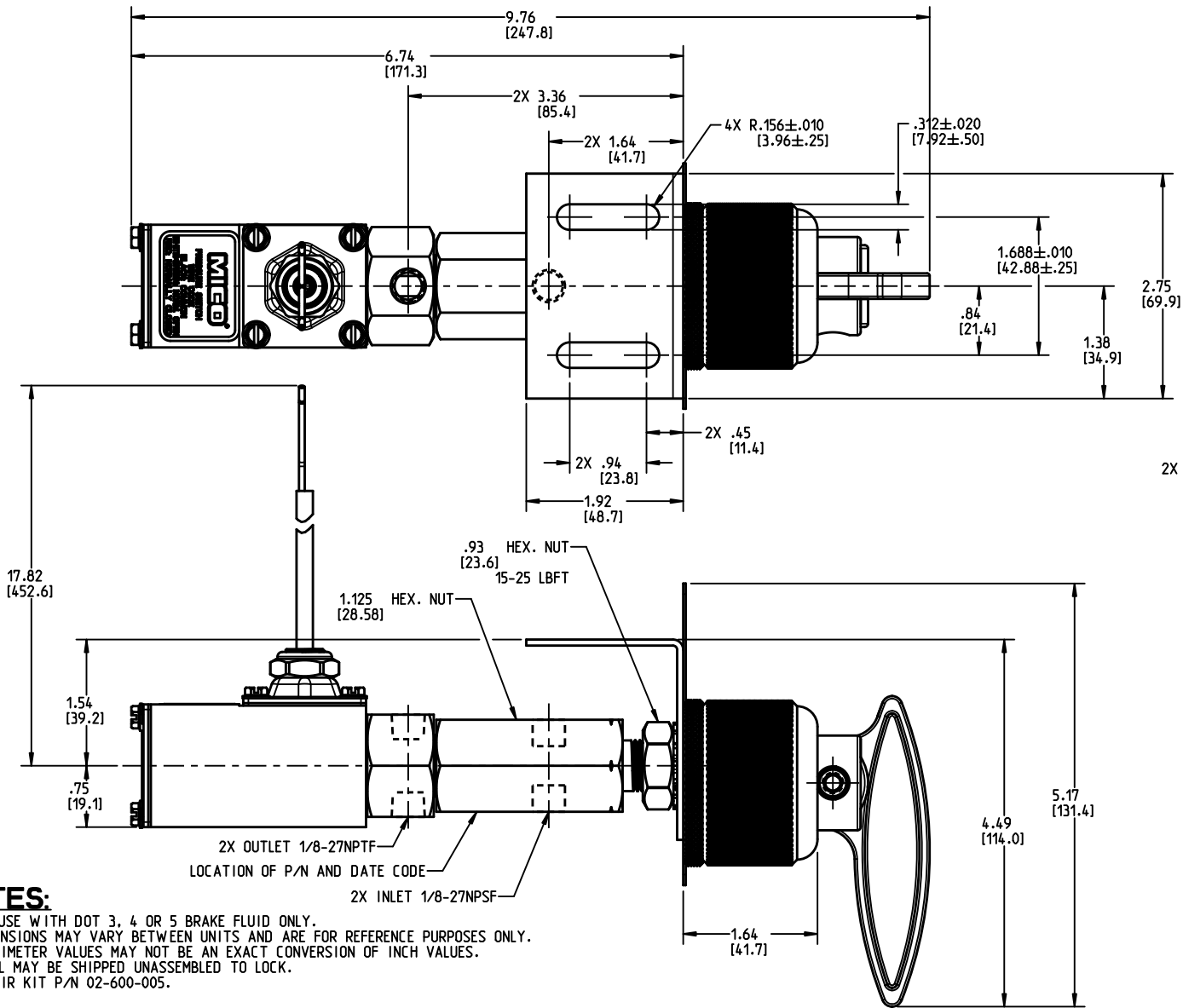


DRAWING NUMBER
03-640-095
NPI OR ECN NO
ECN C000577



NOTES:

- 1) FOR USE WITH DOT 3, 4 OR 5 BRAKE FLUID ONLY.
- 2) DIMENSIONS MAY VARY BETWEEN UNITS AND ARE FOR REFERENCE PURPOSES ONLY. MILLIMETER VALUES MAY NOT BE AN EXACT CONVERSION OF INCH VALUES.
- 3) LABEL MAY BE SHIPPED UNASSEMBLED TO LOCK.
- 4) REPAIR KIT P/N 02-600-005.

PERFORMANCE CHARACTERISTICS:

- 1) PRESSURE SETTINGS TO BE AS FOLLOWS:
 - CONTACTS OPEN BY 1400 PSI MAX. INCREASING.
 - CONTACTS CLOSE BY 1100 PSI MIN. DECREASING.
- 2) WEATHER RESISTANT ADJUSTABLE PRESSURE SWITCH:
 - PROOF PRESSURE: 15,000 PSI
 - LEAD WIRE LENGTH: 16" APPROXIMATE
 - WIRE CODE: BLACK - COMMON
 - RED - NORMALLY CLOSED
- 3) SWITCH SPECIFICATIONS:
 - SINGLE POLE DOUBLE THROW.

RATED			
12 VDC	30 VDC	125 VAC	250 VAC
3 AMPS INDUCTIVE	3 AMPS INDUCTIVE	5 AMPS	5 AMPS
5 AMPS RESISTIVE	5 AMPS RESISTIVE		

COMPONENT AND SYSTEM RECOMMENDATIONS MADE BY MICO, INC ARE BASED ON INFORMATION SUPPLIED BY POTENTIAL USER AND/OR SYSTEM DESIGNER. THE POTENTIAL USER AND/OR DESIGNER MUST MAKE FINAL ACCEPTANCE AND APPROVAL OF COMPONENTS AND SYSTEM AFTER TESTING PERFORMANCE ON AN ACTUAL APPLICATION FOR WHICH SYSTEM WAS DESIGNED.

MICO, INC CLAIMS PROPRIETARY RIGHTS TO THE MATERIAL DISCLOSED IN THIS DOCUMENT. THIS DOCUMENT IS PROVIDED IN CONFIDENCE AND MAY NOT BE REPRODUCED OR DISCLOSED WITHOUT WRITTEN PERMISSION FROM MICO, INC. COPYRIGHT MICO, INC. ALL RIGHTS RESERVED.

INCH
[MILLIMETER]

MICO [®]				
North Mankato, Minnesota USA				
SCALE 0.500	TITLE TWIST LOCK			
DWN JRA 2015-09-10	APVD PROD ENGRG DPD 2015-09-21	SIZE A	DRAWING NUMBER 03-640-095	REV G
X NO	APVD ENGRG BSW 2015-09-10		CUSTOMER COPY	2 4*