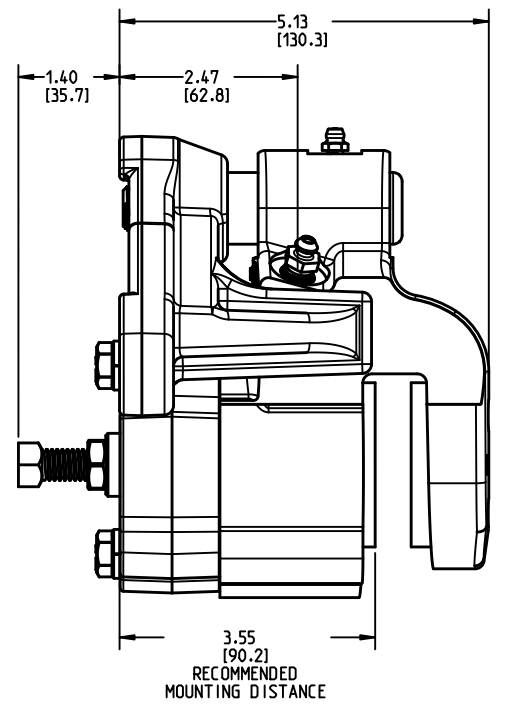
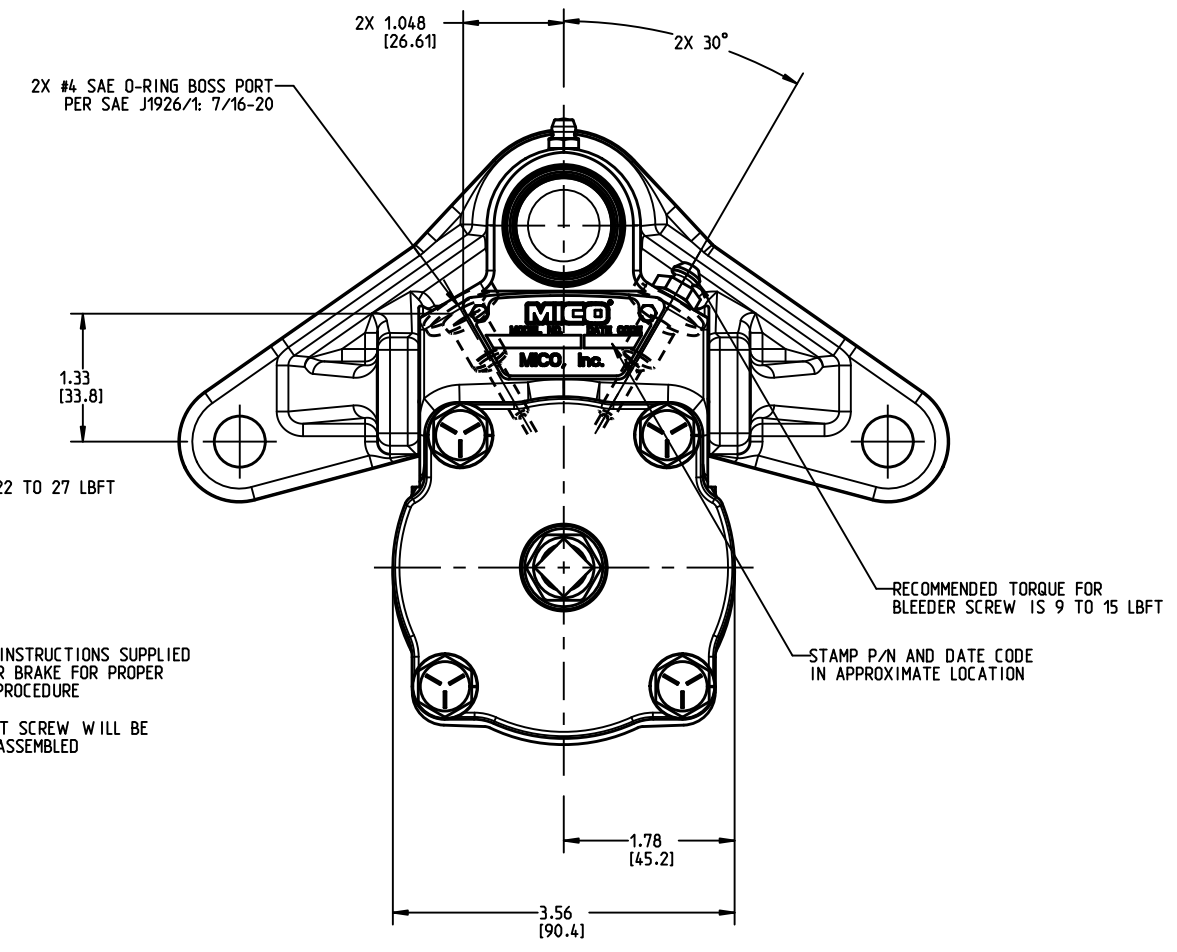
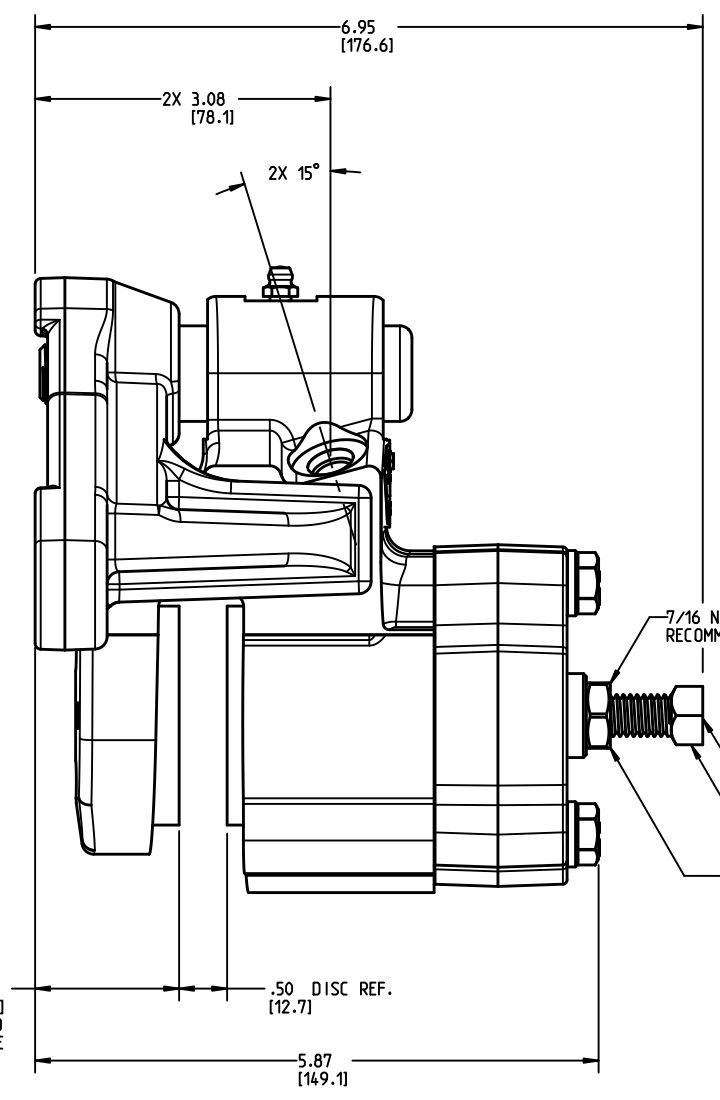
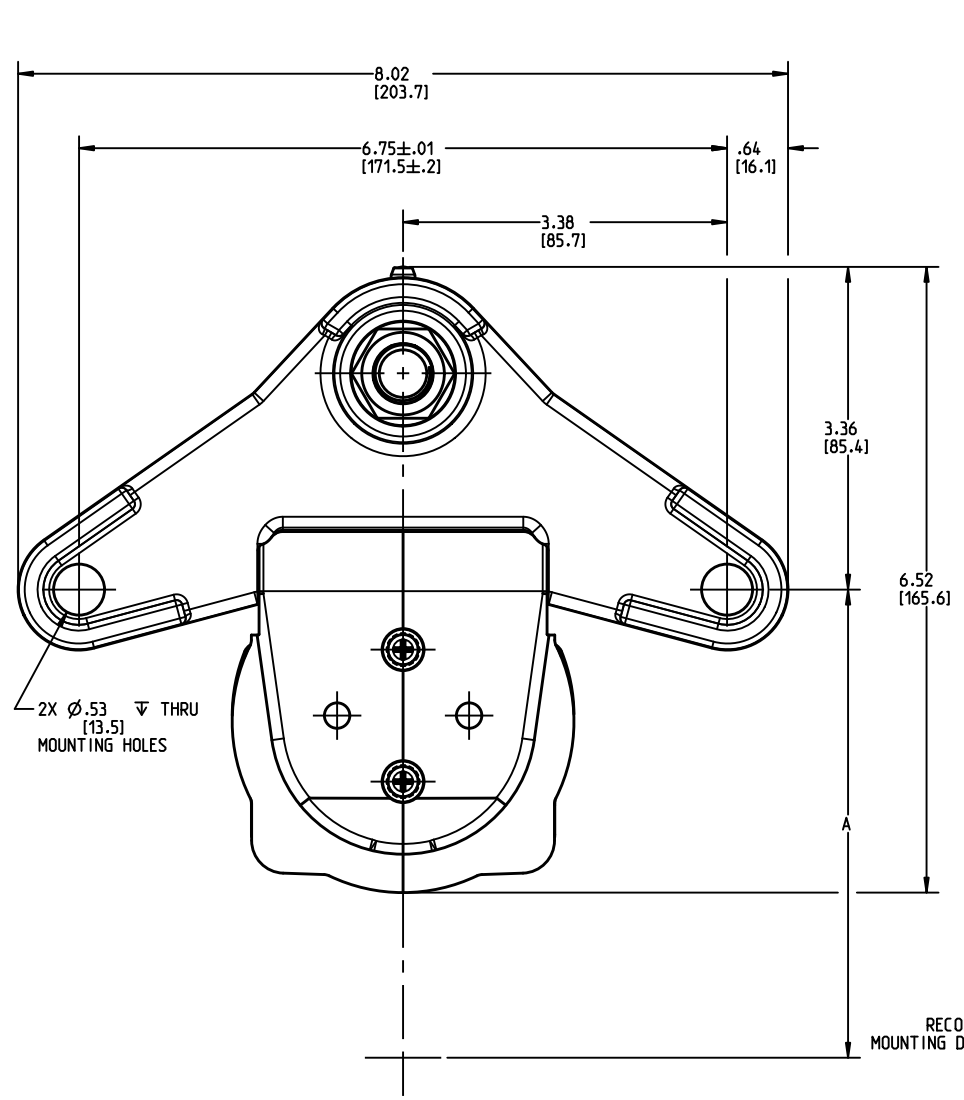


DRAWING NUMBER
03-530-632
NPI OR ECN NO
ECN H000168



OPTIONAL MOUNTING
SCALE 0.375

NOTES:

1. TO BE USED WITH MINERAL BASE HYDRAULIC OIL ONLY.
2. DIMENSIONS MAY VARY BETWEEN UNITS AND ARE TO BE USED FOR REFERENCE PURPOSES ONLY. MILLIMETER VALUES MAY NOT BE AN EXACT CONVERSION OF INCH VALUES.
3. SLOWLY APPLY GREASE THRU ZERK FITTING AFTER ASSEMBLY UNTIL GREASE IS OBSERVED EXITING SEALS. OVER PRESSURIZING MAY FORCE SEALS OUT OF HOUSING.
4. BRAKE SHOWN IN APPLIED POSITION.
5. SET SCREW AND NUT TO BE SHIPPED UNASSEMBLED TO BRAKE.
6. BRAKE SURFACE FINISH: ZINC CHROMATE YELLOW PER ASTM B633, TYPE II, SC2
7. LINING MATERIAL: NON-ASBESTOS, LEAD FREE
8. SEAL KIT P/N 02-500-058.
9. REPAIR KIT P/N 02-500-244.
10. LINING KIT P/N 20-060-121.

PERFORMANCE CHARACTERISTICS:

1. BRAKE TORQUE: B_t (LBIN) = $3840 \times (\text{DISC RADIUS} - 1.18)$.
2. MAXIMUM TORQUE ACHIEVED ONLY AFTER BRAKE HAS BEEN PROPERLY ADJUSTED AND BURNISHED.
3. COMPLETE RETRACTION PRESSURE: 1500 PSI.
4. MAXIMUM CONTINUOUS DUTY PRESSURE IS 2,000 PSI.
5. MAXIMUM INTERMITTENT DUTY PRESSURE IS 2,500 PSI.
6. VOLUME REQUIRED FOR COMPLETE RETRACTION: .80 CU IN.
7. CAUTION: DISC RUBBING SPEED SHOULD NOT EXCEED 5000 FT/MIN.
8. "A" DIMENSION = DISC RADIUS + .12

INCH
[MILLIMETER]

MICO[®]
North Mankato, Minnesota USA

SCALE 0.500		TITLE SPRING BRAKE		
DWN JJH 2015-11-24	APVD PROD ENGRG PJS 2015-11-30	SIZE B	DRAWING NUMBER 03-530-632	REV E
X NO X07-1623-005	APVD ENGRG BSW 2015-11-24	CUSTOMER COPY		1 1

COMPONENT AND SYSTEM RECOMMENDATIONS MADE BY MICO, INC ARE BASED ON INFORMATION SUPPLIED BY POTENTIAL USER AND/OR SYSTEM DESIGNER. THE POTENTIAL USER AND/OR DESIGNER MUST MAKE FINAL ACCEPTANCE AND APPROVAL OF COMPONENTS AND SYSTEM AFTER TESTING PERFORMANCE ON AN ACTUAL APPLICATION FOR WHICH SYSTEM WAS DESIGNED.

MICO, INC CLAIMS PROPRIETARY RIGHTS TO THE MATERIAL DISCLOSED IN THIS DOCUMENT. THIS DOCUMENT IS PROVIDED IN CONFIDENCE AND MAY NOT BE REPRODUCED OR DISCLOSED WITHOUT WRITTEN PERMISSION FROM MICO, INC. COPYRIGHT MICO, INC. ALL RIGHTS RESERVED.