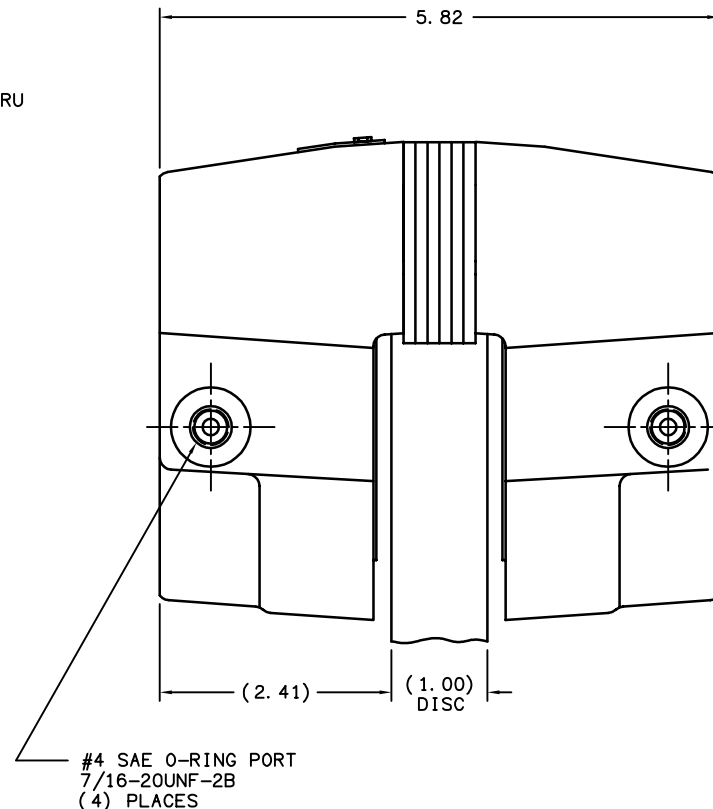
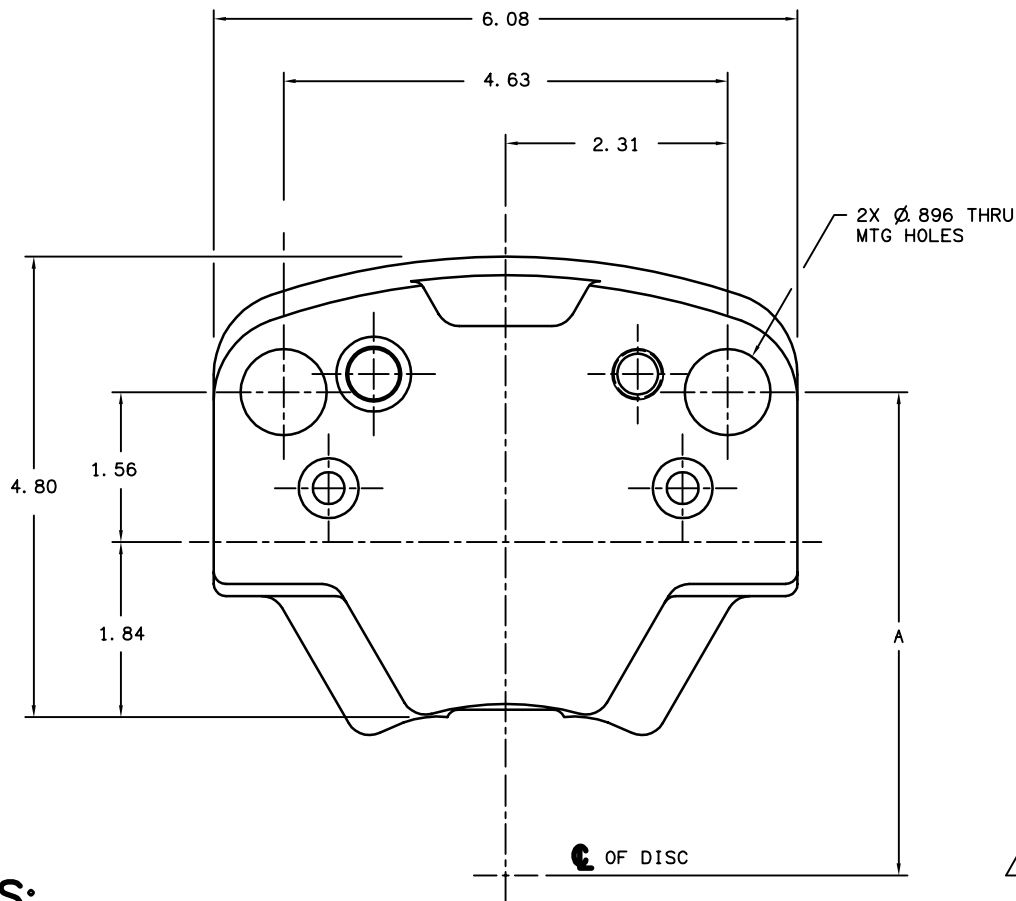


PART NUMBER
03-520-202
NPI OR ECN NO.
ECN C000102



NOTES:

- 1) TO BE USED WITH MINERAL BASE HYDRAULIC OIL ONLY.
- 2) DIMENSIONS WILL VARY SLIGHTLY BETWEEN UNITS AND ARE TO BE USED FOR REFERENCE PURPOSES ONLY.
- 3) BLEEDER SCREW, FITTINGS, AND TUBING ASS'Y SUPPLIED BY CUSTOMER.
- 4) REPAIR KIT P/N 02-500-067.
- 5) LINING KIT P/N 20-060-053.

PERFORMANCE CHARACTERISTICS:

- 1) MAX. INPUT PRESSURE 1500 P. S. I. (2000 P. S. I. INTERMITTENT)
- 2) BRAKE TORQUE(IN-LBS) = PSI x 3.43 x (DISC RADIUS-1.25)
- 3) CAUTION: DISC RUBBING SPEED SHOULD NOT EXCEED 5000 FT. /MIN.
- 4) "A" DIMENSION = DISC RADIUS (DISC DIA. FROM 10 TO 12 INCHES)
 "A" DIMENSION = DISC RADIUS + .13 (DISC DIA. ABOVE 12 TO 18 INCHES)
 "A" DIMENSION = DISC RADIUS + .19 (DISC DIA. ABOVE 18 TO 20 INCHES)
 "A" DIMENSION = DISC RADIUS + .31 (DISC DIA. ABOVE 20 TO 24 INCHES)

COMPONENT AND SYSTEM RECOMMENDATIONS MADE BY MICO, INC. ARE BASED ON INFORMATION SUPPLIED BY POTENTIAL USER AND/OR SYSTEM DESIGNER. THE POTENTIAL USER AND/OR DESIGNER MUST MAKE FINAL ACCEPTANCE AND APPROVAL OF COMPONENTS AND SYSTEM AFTER TESTING PERFORMANCE ON AN ACTUAL APPLICATION FOR WHICH SYSTEM WAS DESIGNED.

MICO, INC. CLAIMS PROPRIETARY RIGHTS TO THE MATERIAL DISCLOSED IN THIS DOCUMENT. THIS DOCUMENT IS PROVIDED IN CONFIDENCE AND MAY NOT BE REPRODUCED OR DISCLOSED WITHOUT WRITTEN PERMISSION FROM MICO, INC. COPYRIGHT MICO, INC. ALL RIGHTS RESERVED.

mico [®]			
North Mankato, Minnesota U. S. A.			
TITLE DISC BRAKE			
SCALE 1=1	CHECKED SH	PART NUMBER 03-520-202	REV L
DRN JJH 9-26-01	APP ENG GAA	CUSTOMER COPY	