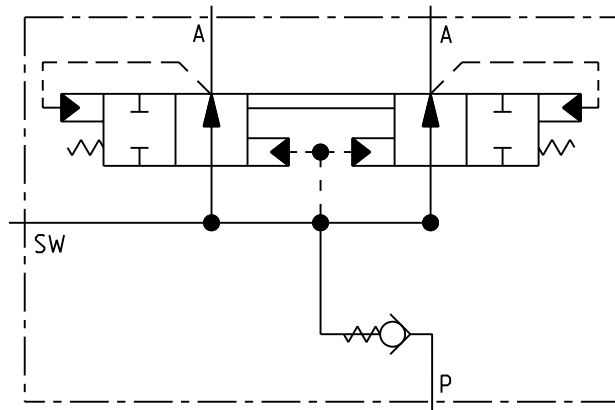


**NOTES:**

- 1) FOR USE WITH MINERAL BASE HYDRAULIC OIL ONLY.
- 2) DIMENSIONS MAY VARY SLIGHTLY BETWEEN UNITS AND ARE FOR REFERENCE PURPOSES ONLY. MILLIMETER VALUES MAY NOT BE AN EXACT CONVERSION OF INCH VALUES.
- 3) SURFACE FINISH: OLIVE DRAB PRIMER PER DOD-P-15328 SPECIFICATION.

**PERFORMANCE CHARACTERISTICS:**

- 1) CHECK VALVE LEAKAGE 0.25 cc/MINUTE (5 DROPS/MINUTE) MAX. AT 3000 PSI (207 BAR).
- 2) RECOMMENDED SYSTEM FLOW: 11.0 GPM MAX.
- 3) MAIN CHECK VALVE CRACKING PRESSURE: 50 PSI.
- 4) PRESSURE DROP: P-A 190 ± 10 PSID AT 10.6 GPM WITH 14 CENTISTOKE OIL.
- 5) SYSTEM PRESSURE: 3000 PSI MAX.
- 6) EXTERNAL FILTRATION OF 10 MICRON OR BETTER IS REQUIRED.



COMPONENT AND SYSTEM RECOMMENDATIONS MADE BY MICO, INC ARE BASED ON INFORMATION SUPPLIED BY POTENTIAL USER AND/OR SYSTEM DESIGNER. THE POTENTIAL USER AND/OR DESIGNER MUST MAKE FINAL ACCEPTANCE AND APPROVAL OF COMPONENTS AND SYSTEM AFTER TESTING PERFORMANCE ON AN ACTUAL APPLICATION FOR WHICH SYSTEM WAS DESIGNED.

MICO, INC CLAIMS PROPRIETARY RIGHTS TO THE MATERIAL DISCLOSED IN THIS DOCUMENT. THIS DOCUMENT IS PROVIDED IN CONFIDENCE AND MAY NOT BE REPRODUCED OR DISCLOSED WITHOUT WRITTEN PERMISSION FROM MICO, INC. COPYRIGHT MICO, INC. ALL RIGHTS RESERVED.

<b>mico</b> North Mankato, Minnesota USA		SCALE 0.500	TITLE CHECK VALVE ASSEMBLY	
DWN JJH 05-Oct-04	APVD PROD ENGRG	SIZE B	DRAWING NUMBER 03-463-204	REV A
X NO X7725-10	APVD ENGRG PWB		CUSTOMER COPY	1 2