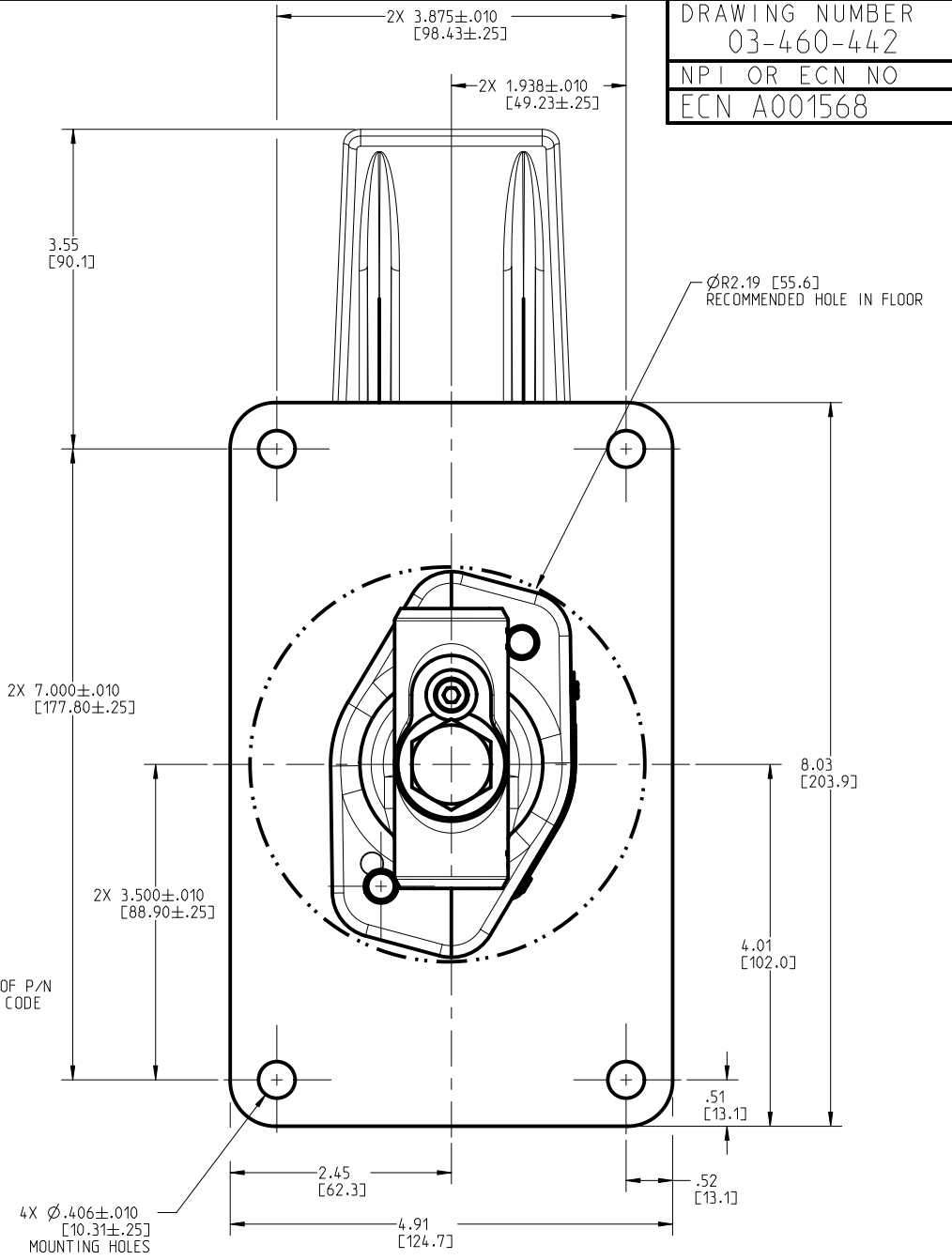
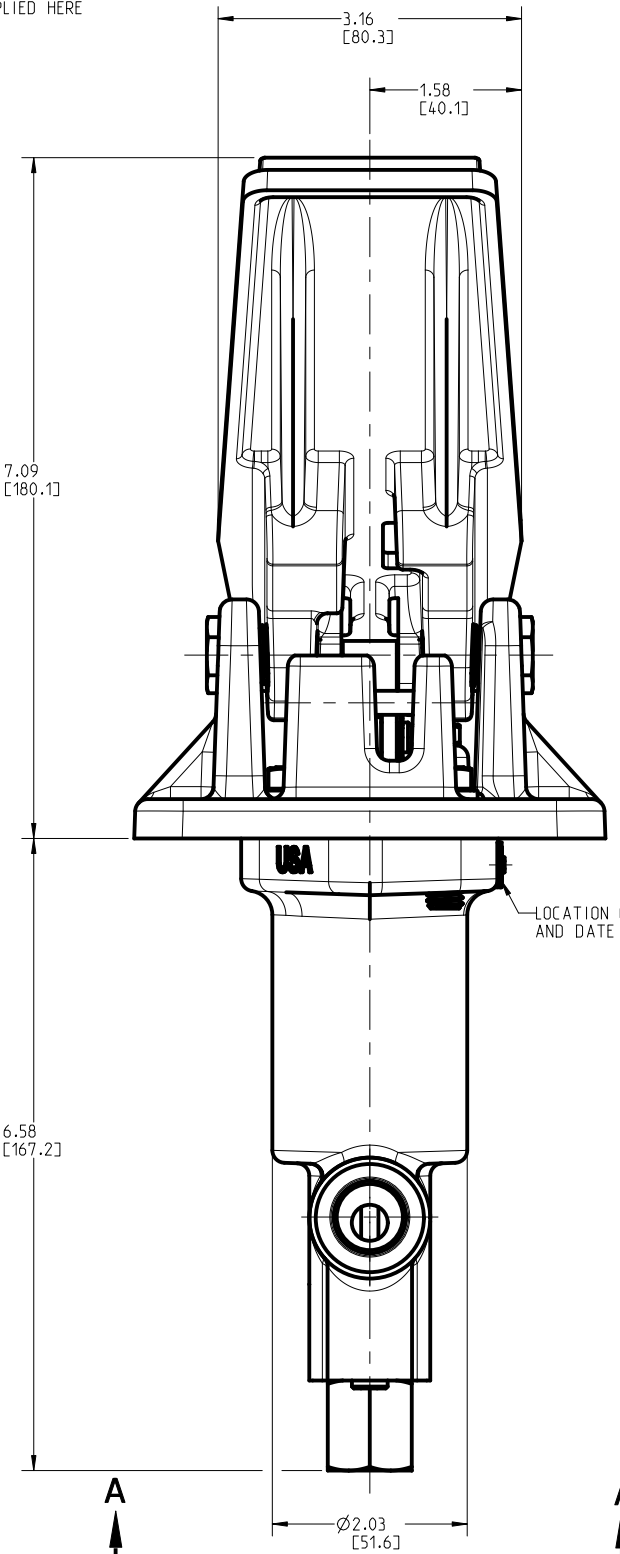
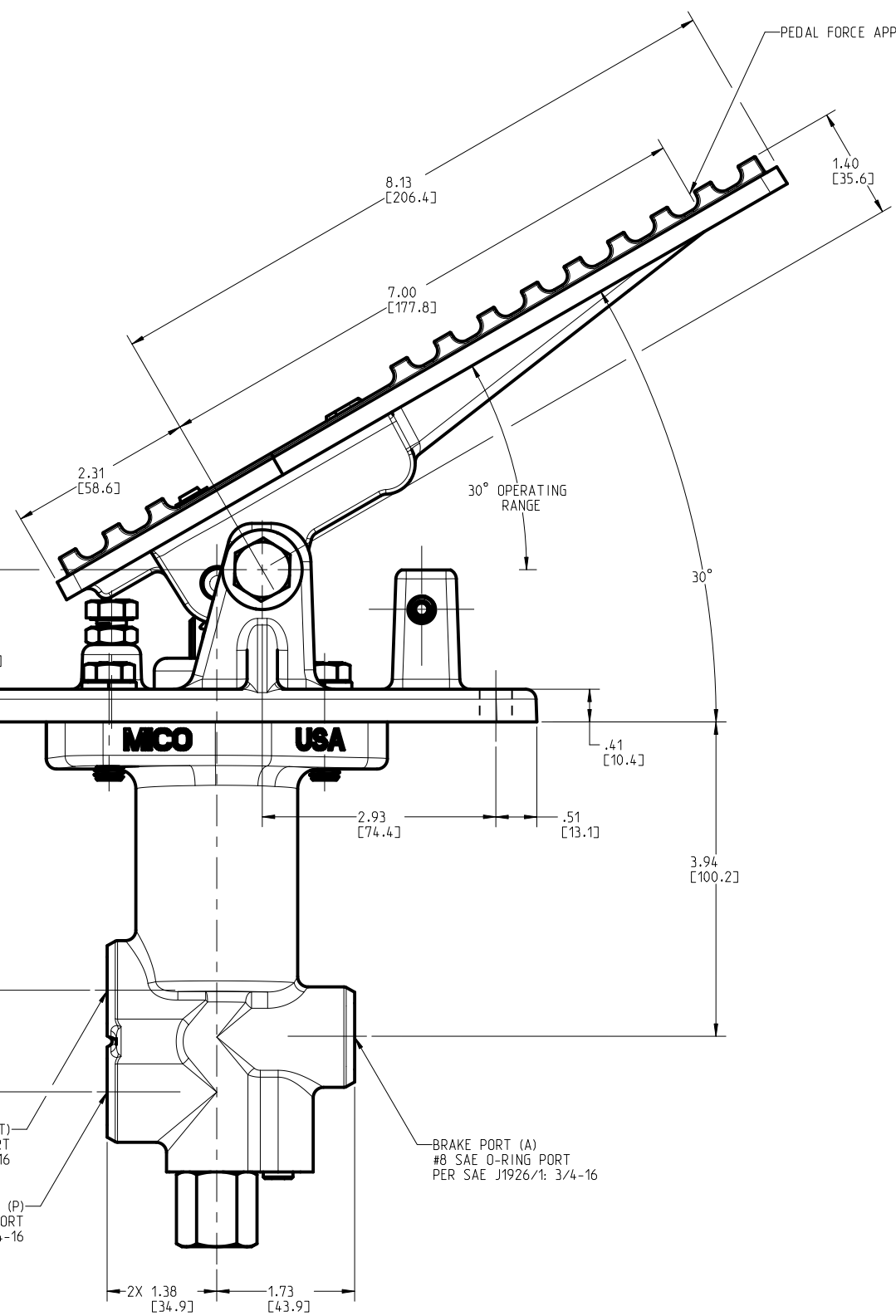
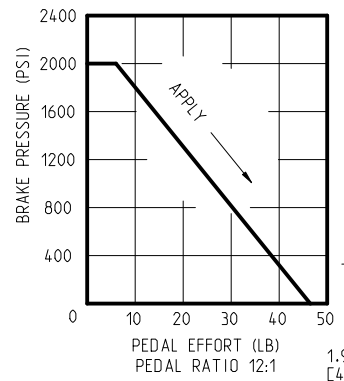
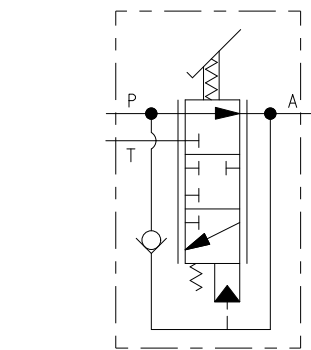


DRAWING NUMBER
03-460-442
NPI OR ECN NO
ECN A001568



VIEW A-A

INCH
[MILLIMETER]

- NOTES:**
- 1) TO BE USED WITH MINERAL BASE HYDRAULIC OIL ONLY.
 - 2) DIMENSIONS WITHOUT TOLERANCE MAY VARY BETWEEN UNITS AND ARE FOR REFERENCE PURPOSES ONLY. MILLIMETER VALUES MAY NOT BE AN EXACT CONVERSION OF INCH VALUES.
 - 3) WHEN THE VALVE IS ROTATED 180° THE P/N IS 03-460-442-R.
 - 4) VALVE SURFACE COATING: OLIVE DRAB PRIMER PAINT.
 - 5) BASE IS DUCTILE IRON AND PAINTED WITH A SEMI-GLOSS BLACK ENAMEL PAINT.
 - 6) PEDAL IS ALUMINUM.

- SERVICE PARTS:**
- 1) VALVE ASSEMBLY P/N 20-100-636.
 - 2) REPAIR KIT P/N 06-400-150.

PERFORMANCE CHARACTERISTICS

- 1) BRAKE PRESSURE SETTING IS 2000±100 PSI [138±7 bar] WITH 2500 PSI [172 bar] INLET PRESSURE AND 15 cSt OIL VISCOSITY.
- 2) MAXIMUM INLET PRESSURE IS 3336 PSI [230 bar].
- 3) OPERATING TEMPERATURE RANGE: -40 TO +225 °F [-40 TO +107 °C]

BRAKE PRESSURE	PEDAL FORCE	PEDAL ANGLE
2000 PSI	0 LB	30°
1995 PSI	6 LB	29°
0 PSI	47 LB	5°
0 PSI	56 LB	0°

COMPONENT AND SYSTEM RECOMMENDATIONS MADE BY MICO, INC. ARE BASED ON INFORMATION SUPPLIED BY POTENTIAL USER AND/OR SYSTEM DESIGNER. THE POTENTIAL USER AND/OR DESIGNER MUST MAKE FINAL ACCEPTANCE AND APPROVAL OF COMPONENTS AND SYSTEM AFTER TESTING PERFORMANCE ON AN ACTUAL APPLICATION FOR WHICH SYSTEM WAS DESIGNED.

MICO, INC. CLAIMS PROPRIETARY RIGHTS TO THE MATERIAL DISCLOSED IN THIS DOCUMENT. THIS DOCUMENT IS PROVIDED IN CONFIDENCE AND MAY NOT BE REPRODUCED OR DISCLOSED WITHOUT WRITTEN PERMISSION FROM MICO, INC. COPYRIGHT MICO, INC. ALL RIGHTS RESERVED.

MICO
a WABCO company

SCALE 0.500	TITLE REVERSE MODULATING VALVE		
DWN JJH 2016-08-09	APVD PROD ENGRG	SIZE B	DRAWING NUMBER 03-460-442
X NO 07-1432	APVD ENGRG STR 2016-08-11	REV C CUSTOMER COPY	