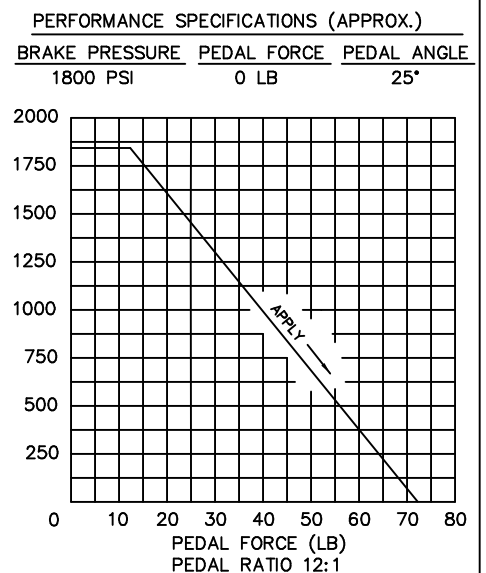
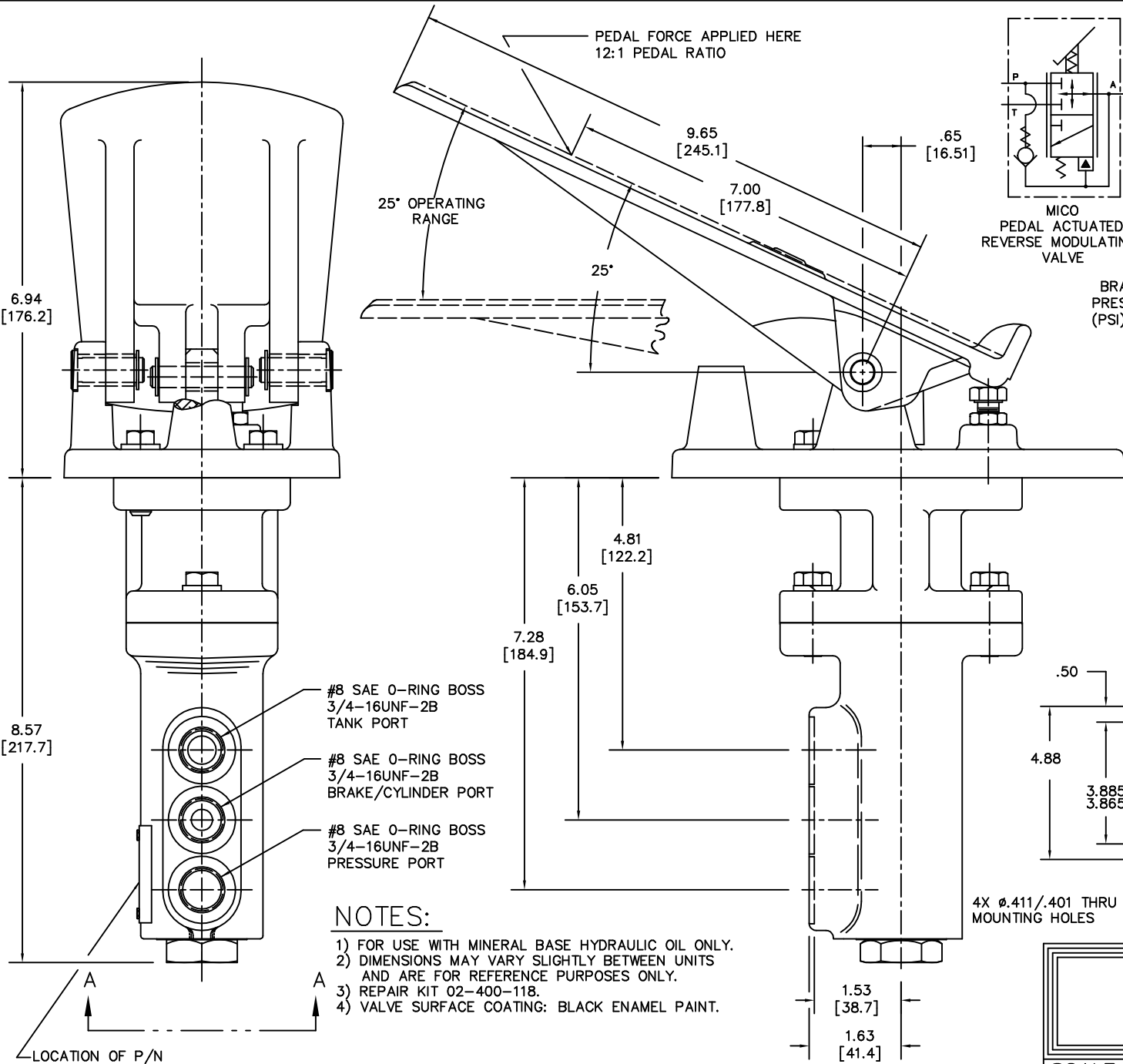


DRAWING NUMBER
03-460-362
NPI OR ECN NO
ECN A001485



- NOTES:
- 1) FOR USE WITH MINERAL BASE HYDRAULIC OIL ONLY.
 - 2) DIMENSIONS MAY VARY SLIGHTLY BETWEEN UNITS AND ARE FOR REFERENCE PURPOSES ONLY.
 - 3) REPAIR KIT 02-400-118.
 - 4) VALVE SURFACE COATING: BLACK ENAMEL PAINT.



INCH
[MILLIMETER]

COMPONENT AND SYSTEM RECOMMENDATIONS MADE BY MICO, INC ARE BASED ON INFORMATION SUPPLIED BY POTENTIAL USER AND/OR SYSTEM DESIGNER. THE POTENTIAL USER AND/OR DESIGNER MUST MAKE FINAL ACCEPTANCE AND APPROVAL OF COMPONENTS AND SYSTEM AFTER TESTING PERFORMANCE ON AN ACTUAL APPLICATION FOR WHICH SYSTEM WAS DESIGNED.

MICO, INC CLAIMS PROPRIETARY RIGHTS TO THE MATERIAL DISCLOSED IN THIS DOCUMENT. THIS DOCUMENT IS PROVIDED IN CONFIDENCE AND MAY NOT BE REPRODUCED OR DISCLOSED WITHOUT WRITTEN PERMISSION FROM MICO, INC. COPYRIGHT MICO, INC. ALL RIGHTS RESERVED.

SCALE	TITLE	SIZE	DRAWING NUMBER	REV
NONE	REVERSE MODULATING VALVE	A	03-460-362	B
DWN JRA 2015-12-04	APVD PROD ENGRG MWM 2015-12-07			
X NO 07-1355	APVD ENGRG JC 2015-12-04		CUSTOMER COPY	