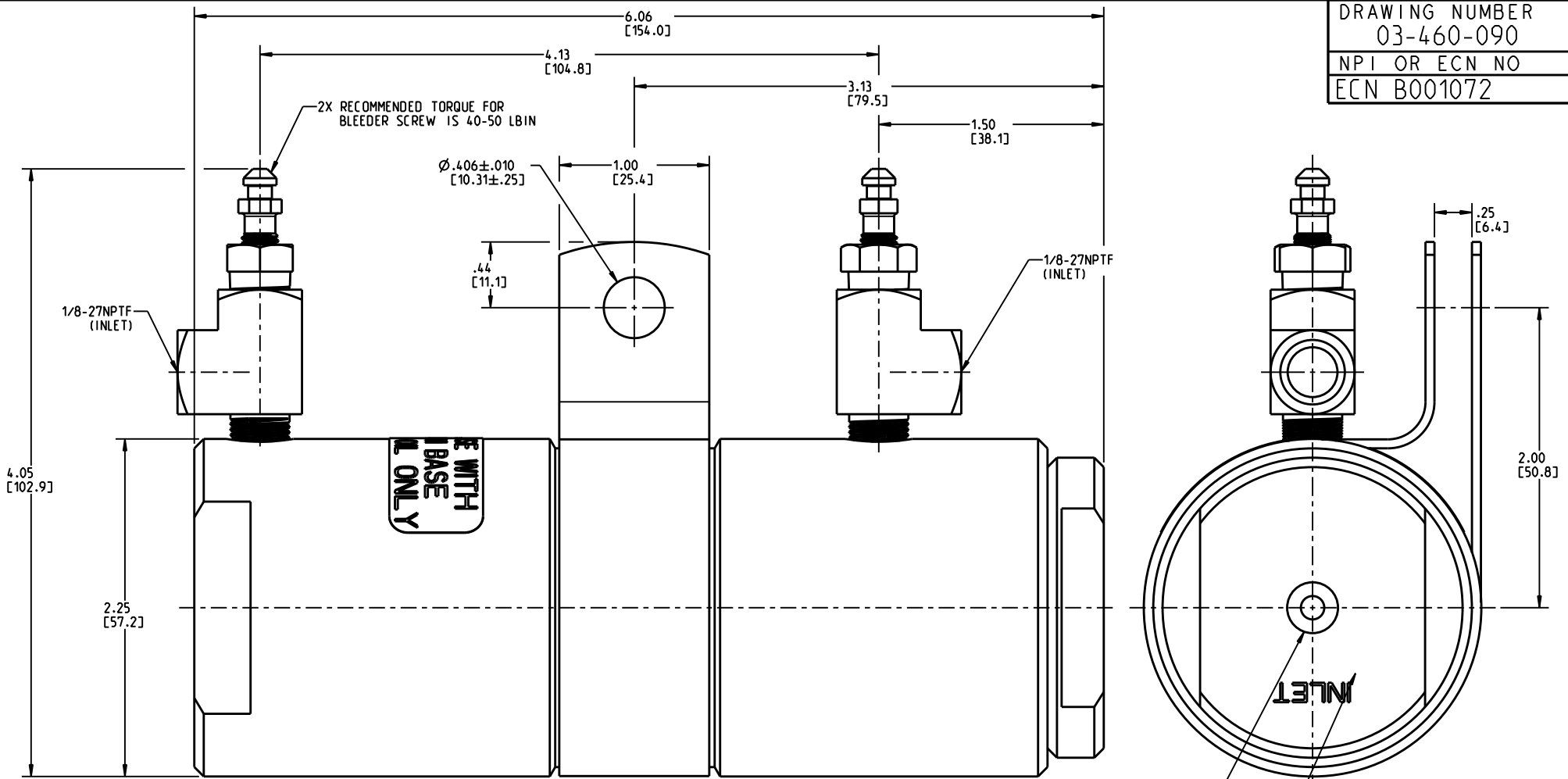


DRAWING NUMBER	03-460-090
NPI OR ECN NO	
ECN	B001072



NOTES:

1. TO BE USED WITH MINERAL BASE HYDRAULIC OIL ONLY.
2. DIMENSIONS MAY VARY BETWEEN UNITS AND ARE FOR REFERENCE PURPOSES ONLY. MILLIMETER VALUES MAY NOT BE AN EXACT CONVERSION OF INCH VALUES.
3. REPAIR KIT P/N 02-400-267.

PERFORMANCE CHARACTERISTICS:

1. BORE: $\phi 1.50$ IN.
2. STROKE: 1.05 IN.
3. EFFECTIVE STROKE: 0.96 IN.
4. DISPLACEMENT: 1.69 CU. IN
5. ACTUATING DISPLACEMENT: 1.85 CU. IN.

COMPONENT AND SYSTEM RECOMMENDATIONS MADE BY MICO, INC ARE BASED ON INFORMATION SUPPLIED BY POTENTIAL USER AND/OR SYSTEM DESIGNER. THE POTENTIAL USER AND/OR DESIGNER MUST MAKE FINAL ACCEPTANCE AND APPROVAL OF COMPONENTS AND SYSTEM AFTER TESTING PERFORMANCE ON AN ACTUAL APPLICATION FOR WHICH SYSTEM WAS DESIGNED.

MICO, INC CLAIMS PROPRIETARY RIGHTS TO THE MATERIAL DISCLOSED IN THIS DOCUMENT. THIS DOCUMENT IS PROVIDED IN CONFIDENCE AND MAY NOT BE REPRODUCED OR DISCLOSED WITHOUT WRITTEN PERMISSION FROM MICO, INC. COPYRIGHT MICO, INC. ALL RIGHTS RESERVED.



SCALE 1.000	TITLE REMOTE ACTUATOR			
DWN ETM 2013-03-27	APVD PROD ENGRG DPD 2013-04-11	SIZE A	DRAWING NUMBER 03-460-090	REV B
X NO	APVD ENGRG BSW 2013-04-05	CUSTOMER COPY		1 1