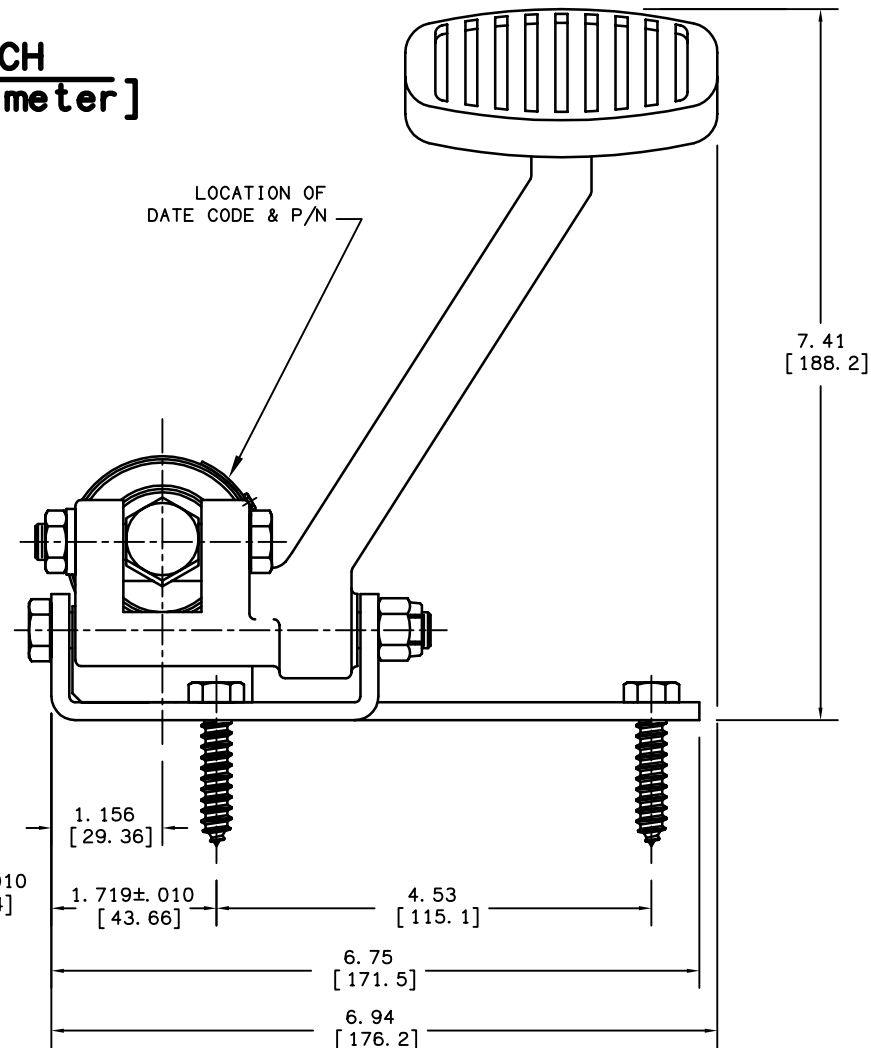
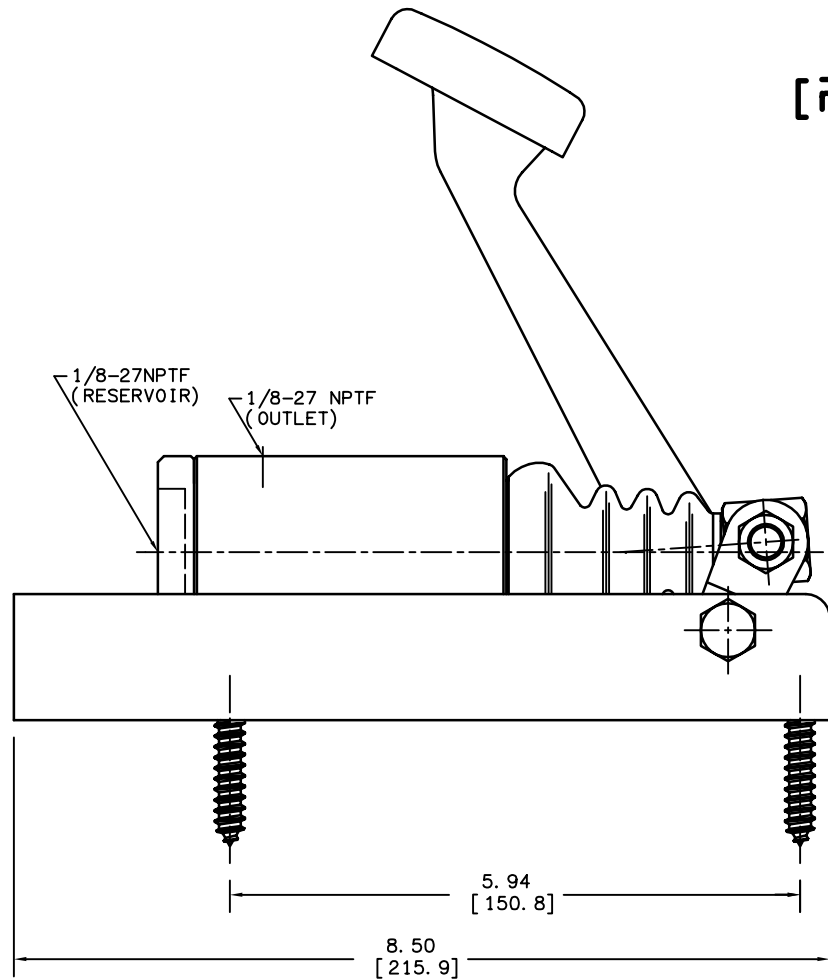


PART NUMBER
03-460-068
NPI OR ECN NO.
ECN B000049

INCH
[millimeter]



NOTES:

1. TO BE USED WITH MINERAL BASE HYDRAULIC OIL ONLY.
2. DIMENSIONS WILL VARY SLIGHTLY BETWEEN UNITS AND ARE TO BE USED FOR REFERENCE PURPOSES ONLY.
3. ACTUATOR REPAIR KIT P/N 02-400-067.

PERFORMANCE CHARACTERISTICS:

1. ACTUATOR:
PEDAL RATIO - 5:1
CYLINDER STROKE - 1.250
BORE - 1.125 DIA.
EFFECTIVE DISPLACEMENT - 1.18 CU. IN.

COMPONENT AND SYSTEM RECOMMENDATIONS MADE BY MICO, INC. ARE BASED ON INFORMATION SUPPLIED BY POTENTIAL USER AND/OR SYSTEM DESIGNER. THE POTENTIAL USER AND/OR DESIGNER MUST MAKE FINAL ACCEPTANCE AND APPROVAL OF COMPONENTS AND SYSTEM AFTER TESTING PERFORMANCE ON AN ACTUAL APPLICATION FOR WHICH SYSTEM WAS DESIGNED.

MICO, INC. CLAIMS PROPRIETARY RIGHTS TO THE MATERIAL DISCLOSED IN THIS DOCUMENT. THIS DOCUMENT IS PROVIDED IN CONFIDENCE AND MAY NOT BE REPRODUCED OR DISCLOSED WITHOUT WRITTEN PERMISSION FROM MICO, INC. COPYRIGHT MICO, INC. ALL RIGHTS RESERVED.



North Mankato, Minnesota U. S. A.

TITLE			
REMOTE ACTUATOR			
SCALE	CHECKED	PART NUMBER	REV
1/2	SH 4/9/01	03-460-068	F
DRN JJH	APP ENG	CUSTOMER COPY	
4-2-01	JC 4/4/01		