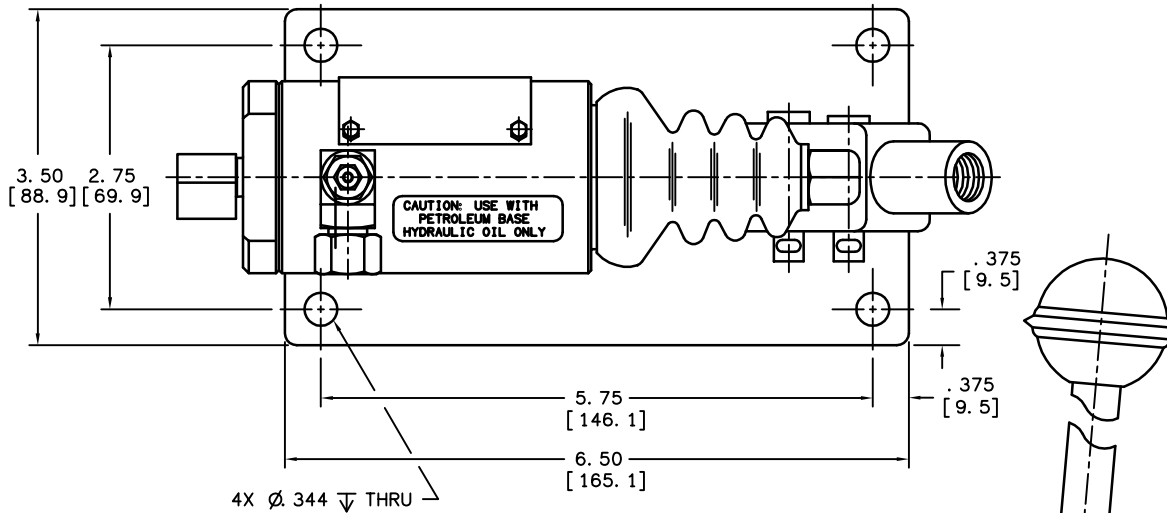
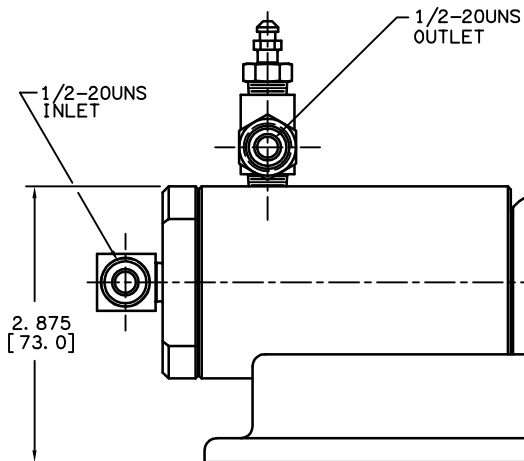


PART NUMBER
03-460-028
NPI OR ECN NO.
ECN B000859



INCH
[millimeter]



NOTES:

1. TO BE USED WITH MINERAL BASE HYDRAULIC OIL ONLY.
2. DIMENSIONS WILL VARY SLIGHTLY BETWEEN UNITS AND ARE TO BE USED FOR REFERENCE PURPOSES ONLY.
3. BLEEDER SCREW, TEE, ADAPTOR, NUT, HANDLE, KNOB AND ELBOW MAY BE SHIPPED UNASSEMBLED TO ACTUATOR.
4. REPAIR KIT P/N 02-400-067.

PERFORMANCE CHARACTERISTICS:

1. BORE: Ø1.125 IN.
2. STROKE: 1.250 IN.
3. EFFECTIVE DISPLACEMENT: 1.180 CUIN



COMPONENT AND SYSTEM RECOMMENDATIONS MADE BY MICO, INC. ARE BASED ON INFORMATION SUPPLIED BY POTENTIAL USER AND/OR SYSTEM DESIGNER. THE POTENTIAL USER AND/OR DESIGNER MUST MAKE FINAL ACCEPTANCE AND APPROVAL OF COMPONENTS AND SYSTEM AFTER TESTING PERFORMANCE ON AN ACTUAL APPLICATION FOR WHICH SYSTEM WAS DESIGNED.

MICO, INC. CLAIMS PROPRIETARY RIGHTS TO THE MATERIAL DISCLOSED IN THIS DOCUMENT. THIS DOCUMENT IS PROVIDED IN CONFIDENCE AND MAY NOT BE REPRODUCED OR DISCLOSED WITHOUT WRITTEN PERMISSION FROM MICO, INC. COPYRIGHT MICO, INC. ALL RIGHTS RESERVED.

TITLE			
REMOTE ACTUATOR			
SCALE	CHECKED	PART NUMBER	REV
1/2	DPD 2010-02-22	03-460-028	G
DRN MAP	APP ENG	CUSTOMER COPY	
2009-11-20	BSW 2010-01-08		