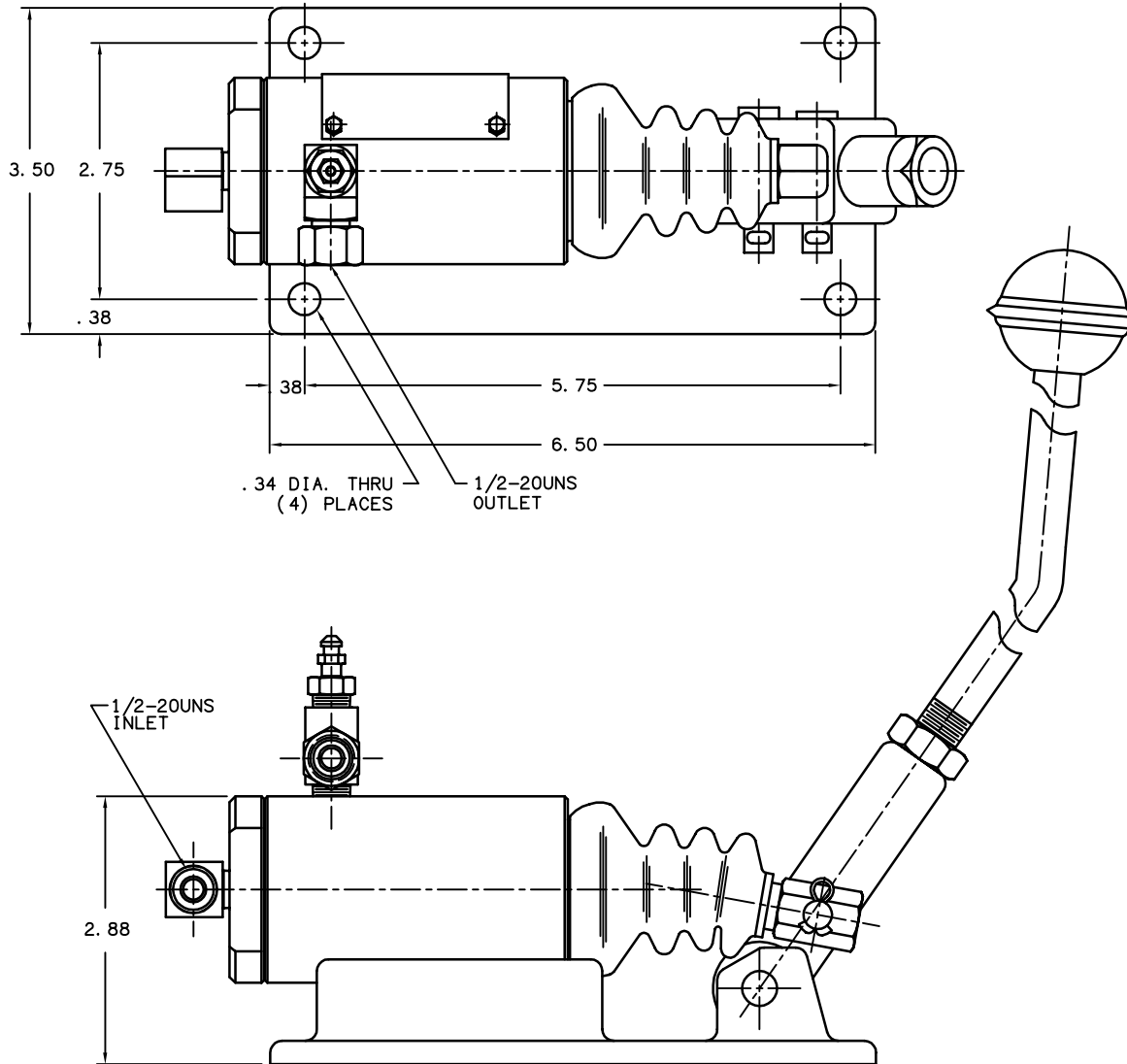


NAME		REMOTE ACTUATOR	PART NO.		03-460-026
LET.	E. C. O. NO.	OR CHANGE	AUTH	DATE	
A	N. P. R.				



NOTES:

1. TO BE USED WITH MINERAL BASE HYDRAULIC OIL ONLY.
2. DIMENSIONS WILL VARY SLIGHTLY BETWEEN UNITS AND ARE TO BE USED FOR REFERENCE PURPOSES ONLY.
3. BLEEDER SCREW, TEE, ADAPTOR, NUT, HANDLE, KNOB AND ELBOW MAY BE SHIPPED UNATTACHED TO ACTUATOR.
4. REPAIR KIT P/N 02-400-067.

PERFORMANCE CHARACTERISTICS:

1. BORE: 1.125 IN. DIA.
2. STROKE: 1.250 IN.
3. EFFECTIVE DISPLACEMENT: 1.180 CU. IN.

COMPONENT AND SYSTEM RECOMMENDATIONS MADE BY MICO, INC. ARE BASED ON INFORMATION SUPPLIED BY POTENTIAL USER AND/OR SYSTEM DESIGNER. THE POTENTIAL USER AND/OR DESIGNER MUST MAKE FINAL ACCEPTANCE AND APPROVAL OF COMPONENTS AND SYSTEM AFTER TESTING PERFORMANCE ON AN ACTUAL APPLICATION FOR WHICH SYSTEM WAS DESIGNED.

mico

North Mankato, Minnesota U. S. A.

MICO INC. CLAIMS PROPRIETARY RIGHTS TO THE MATERIAL DISCLOSED IN THIS DOCUMENT. THIS DOCUMENT IS PROVIDED IN CONFIDENCE AND MAY NOT BE REPRODUCED OR DISCLOSED WITHOUT WRITTEN PERMISSION FROM MICO INC. COPYRIGHT MICO INC. ALL RIGHTS RESERVED.

CHECKED	DRAWING NO.	REV.
APPROVED ENG.	03-460-026 CUSTOMER COPY	A
DRAWN: LAM	SCALE:	DATE: 8-29-96