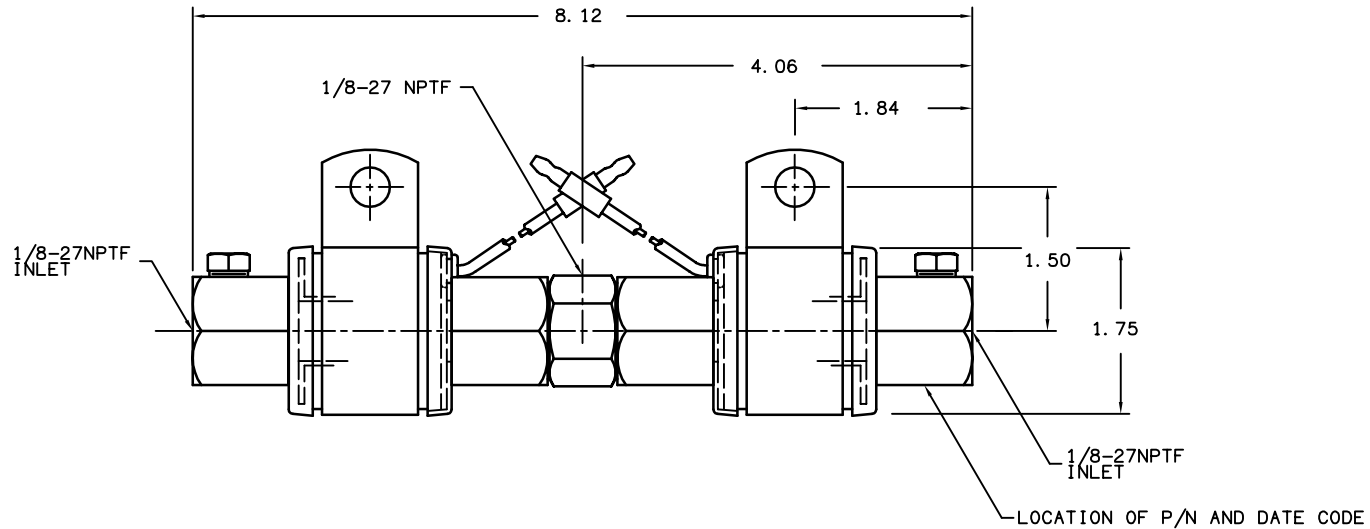


PART NUMBER 03-460-011
NPI OR ECN NO.
ECN C000111



NOTES:

1. FOR USE WITH DOT 3, 4 OR 5 BRAKE FLUID ONLY.
2. ALL DIMENSIONS ARE APPROXIMATE AND ARE TO BE USED FOR REFERENCE PURPOSES ONLY.



COMPONENT AND SYSTEM RECOMMENDATIONS MADE BY MICO, INC. ARE BASED ON INFORMATION SUPPLIED BY POTENTIAL USER AND/OR SYSTEM DESIGNER. THE POTENTIAL USER AND/OR DESIGNER MUST MAKE FINAL ACCEPTANCE AND APPROVAL OF COMPONENTS AND SYSTEM AFTER TESTING PERFORMANCE ON AN ACTUAL APPLICATION FOR WHICH SYSTEM WAS DESIGNED.

MICO, INC. CLAIMS PROPRIETARY RIGHTS TO THE MATERIAL DISCLOSED IN THIS DOCUMENT. THIS DOCUMENT IS PROVIDED IN CONFIDENCE AND MAY NOT BE REPRODUCED OR DISCLOSED WITHOUT WRITTEN PERMISSION FROM MICO, INC. COPYRIGHT MICO, INC. ALL RIGHTS RESERVED.

TITLE REMOTE ACTUATOR			
SCALE NONE	CHECKED SH	PART NUMBER 03-460-011	REV D
DRN JJH 11-14-01	APP ENG JC	CUSTOMER COPY	