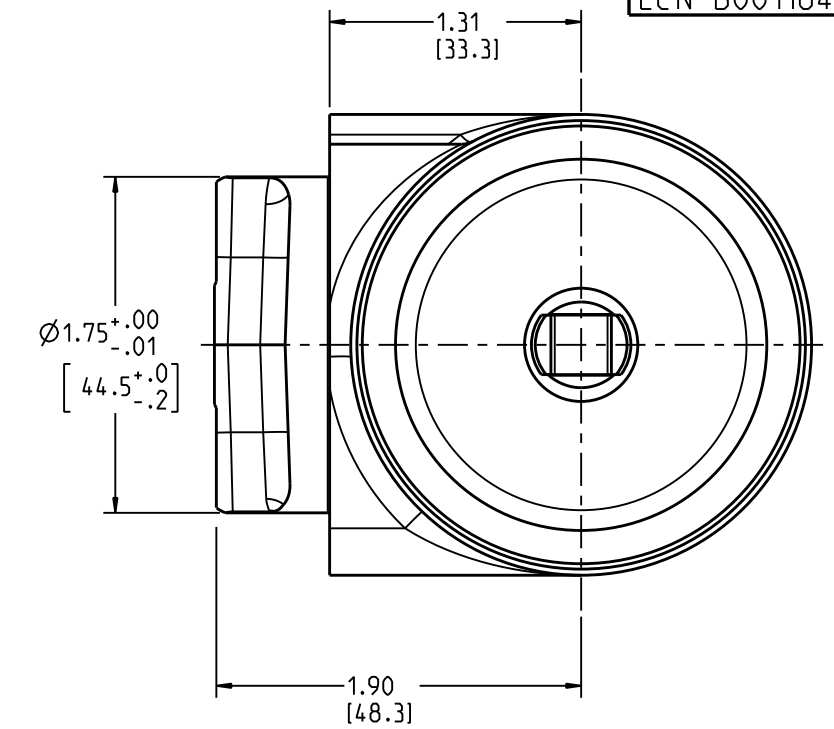
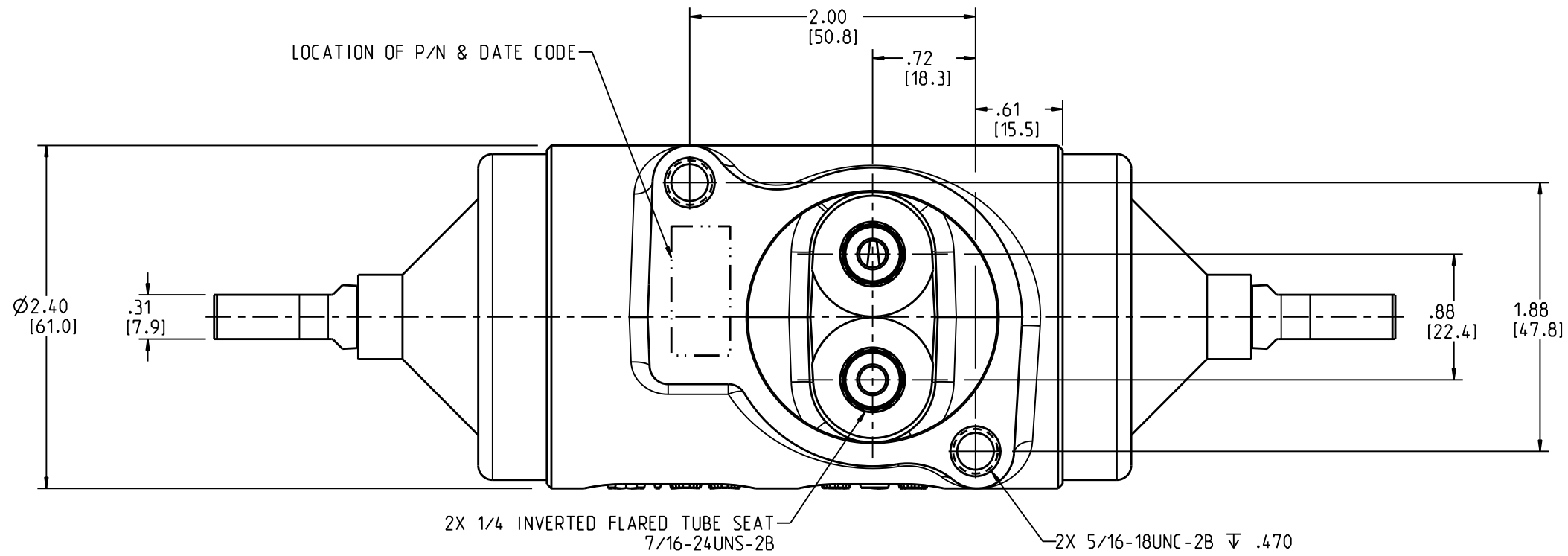
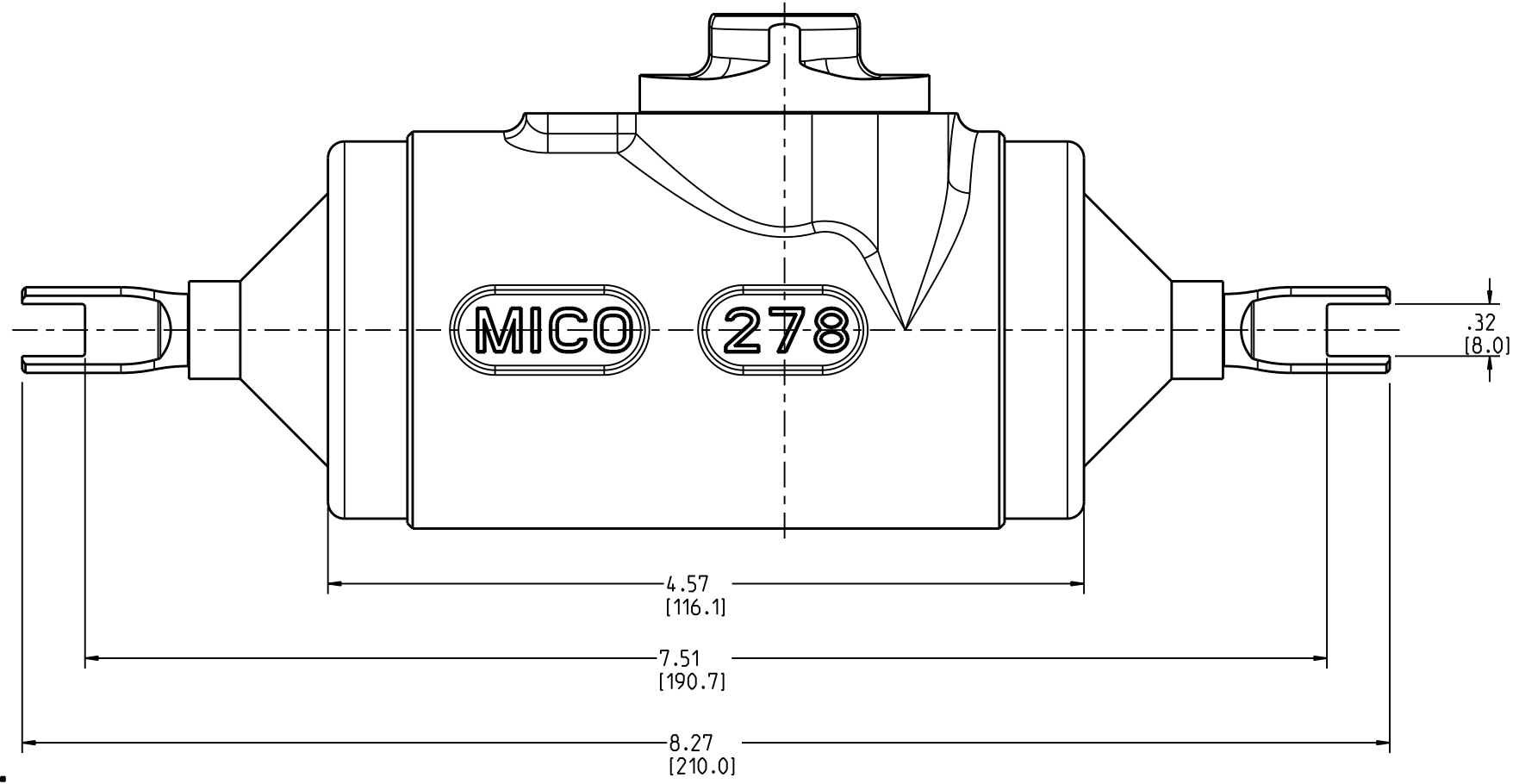


DRAWING NUMBER
03-140-011
NPI OR ECN NO
ECN B001184



2X 1/4 INVERTED FLARED TUBE SEAT
7/16-24UNS-2B

2X 5/16-18UNC-2B ▽ .470



NOTES:

- 1) BORE: Ø1.75
- 2) FOR USE WITH DOT 3, 4 OR 5 BRAKE FLUID ONLY.
- 3) DIMENSIONS MAY VARY BETWEEN UNITS AND ARE FOR REFERENCE PURPOSES ONLY. MILLIMETER VALUES MAY NOT BE AN EXACT CONVERSION OF INCH VALUES.
- 4) REPAIR KIT 02-100-038
- 5) PUSH ROD P/N 32-020-012 MAY BE PURCHASED AS A SERVICE ITEM.
- 6) SURFACE FINISH: BLACK SEMI-GLOSS PAINT.

COMPONENT AND SYSTEM RECOMMENDATIONS MADE BY MICO, INC ARE BASED ON INFORMATION SUPPLIED BY POTENTIAL USER AND/OR SYSTEM DESIGNER. THE POTENTIAL USER AND/OR DESIGNER MUST MAKE FINAL ACCEPTANCE AND APPROVAL OF COMPONENTS AND SYSTEM AFTER TESTING PERFORMANCE ON AN ACTUAL APPLICATION FOR WHICH SYSTEM WAS DESIGNED.

MICO, INC CLAIMS PROPRIETARY RIGHTS TO THE MATERIAL DISCLOSED IN THIS DOCUMENT. THIS DOCUMENT IS PROVIDED IN CONFIDENCE AND MAY NOT BE REPRODUCED OR DISCLOSED WITHOUT WRITTEN PERMISSION FROM MICO, INC. COPYRIGHT MICO, INC. ALL RIGHTS RESERVED.

MICO North Mankato, Minnesota USA				
SCALE 1.000	TITLE WHEEL CYLINDER			
DWN ETM 2014-08-08	APVD PROD ENGRG DPD 2014-08-13	SIZE B	DRAWING NUMBER 03-140-011	REV E
X NO .	APVD ENGRG BSW 2014-08-12		CUSTOMER COPY	2- 2