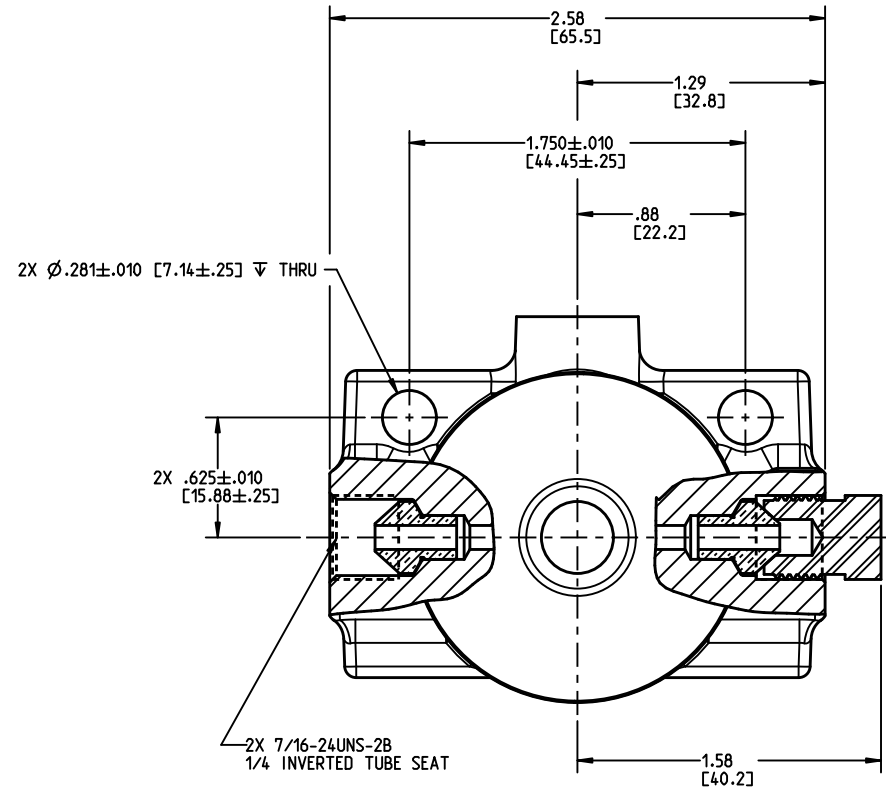
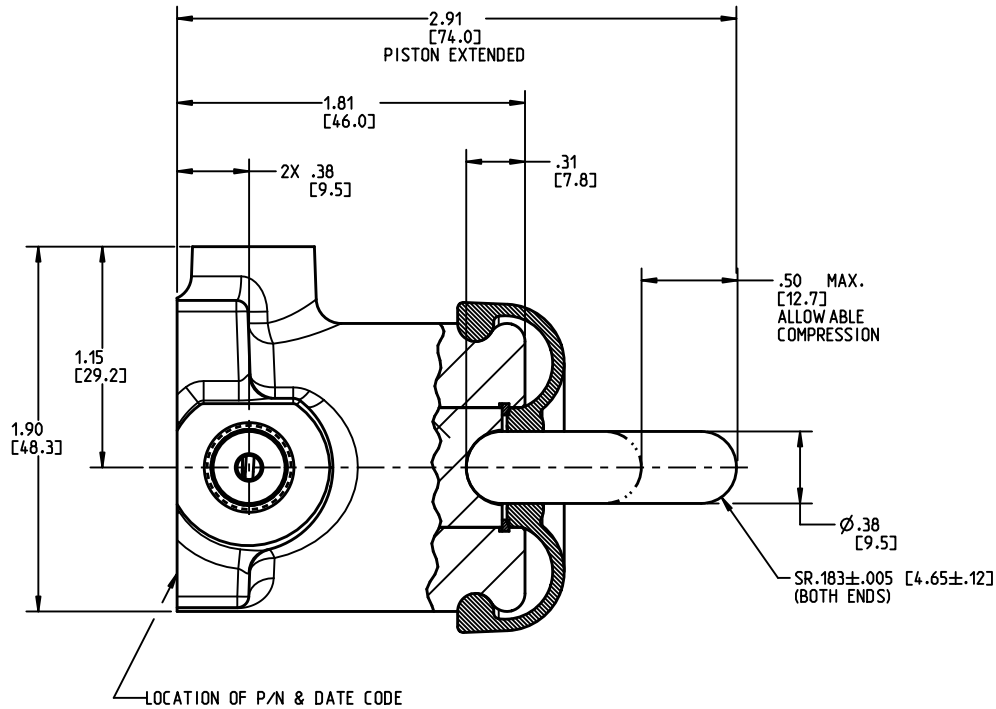


DRAWING NUMBER	03-120-072
NPI OR ECN NO	
ECN	C000519



**INCH**  
**[MILLIMETER]**

**NOTES:**

- 1) FOR USE WITH MINERAL BASE HYDRAULIC OIL ONLY.
- 2) DIMENSIONS MAY VARY SLIGHTLY BETWEEN UNITS AND ARE TO BE USED FOR REFERENCE PURPOSES ONLY. MILLIMETERS VALUES MAY NOT BE AN EXACT CONVERSION OF INCH VALUES.
- 3) REPAIR KIT P/N 02-100-049.

**PERFORMANCE CHARACTERISTICS:**

- 1) BORE: 0.625 IN. [15.8 mm]
- 2) STROKE: .500 IN. [12.7mm]

COMPONENT AND SYSTEM RECOMMENDATIONS MADE BY MICO, INC ARE BASED ON INFORMATION SUPPLIED BY POTENTIAL USER AND/OR SYSTEM DESIGNER. THE POTENTIAL USER AND/OR DESIGNER MUST MAKE FINAL ACCEPTANCE AND APPROVAL OF COMPONENTS AND SYSTEM AFTER TESTING PERFORMANCE ON AN ACTUAL APPLICATION FOR WHICH SYSTEM WAS DESIGNED.

MICO, INC CLAIMS PROPRIETARY RIGHTS TO THE MATERIAL DISCLOSED IN THIS DOCUMENT. THIS DOCUMENT IS PROVIDED IN CONFIDENCE AND MAY NOT BE REPRODUCED OR DISCLOSED WITHOUT WRITTEN PERMISSION FROM MICO, INC. COPYRIGHT MICO, INC. ALL RIGHTS RESERVED.



SCALE 1.000	TITLE SLAVE CYLINDER			
DWN SHYPO 2014-12-17	APVD PROD ENGRG	SIZE A	DRAWING NUMBER 03-120-072	REV E
X NO X7227	APVD ENGRG BSW 2014-12-29	CUSTOMER COPY		6