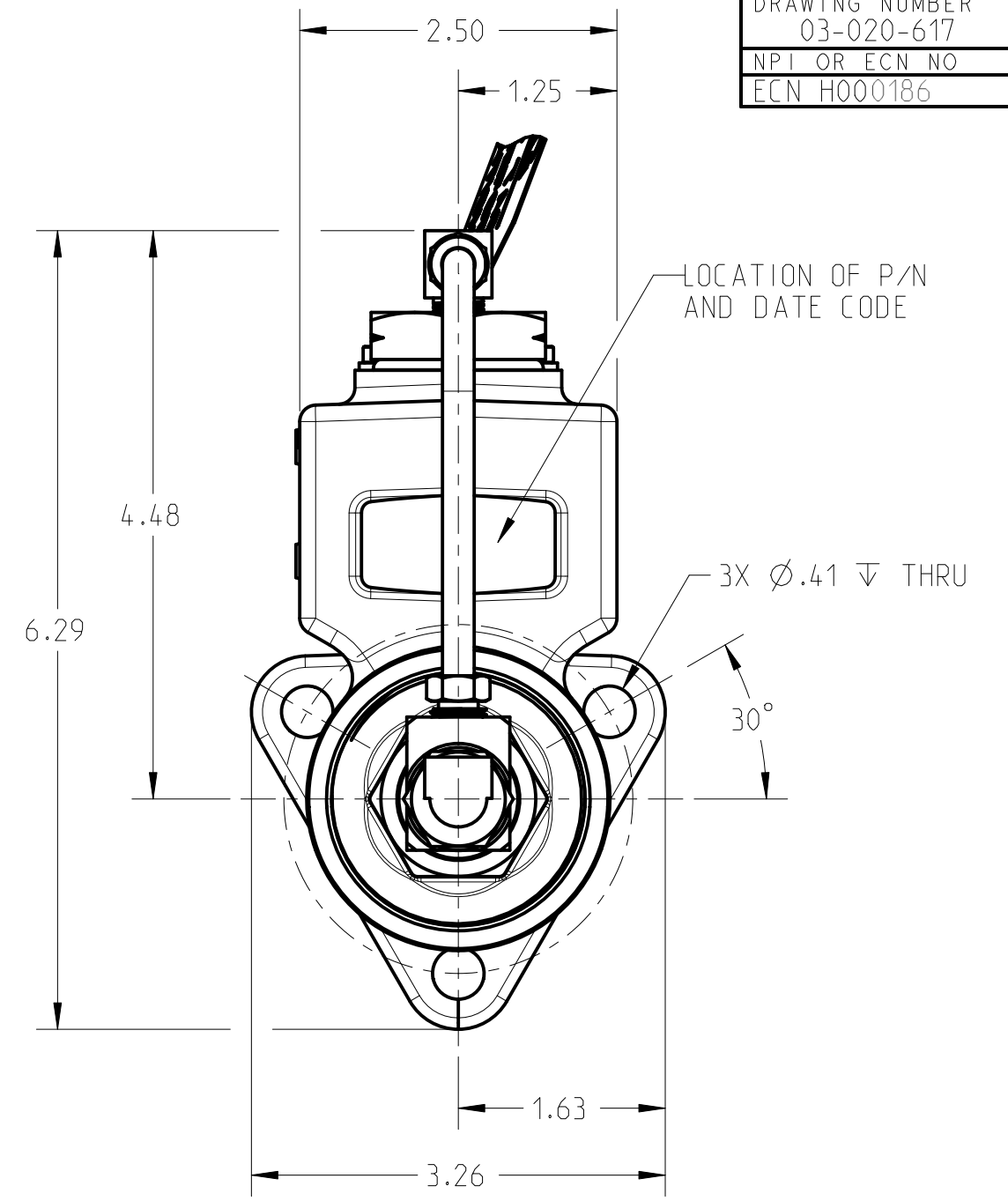
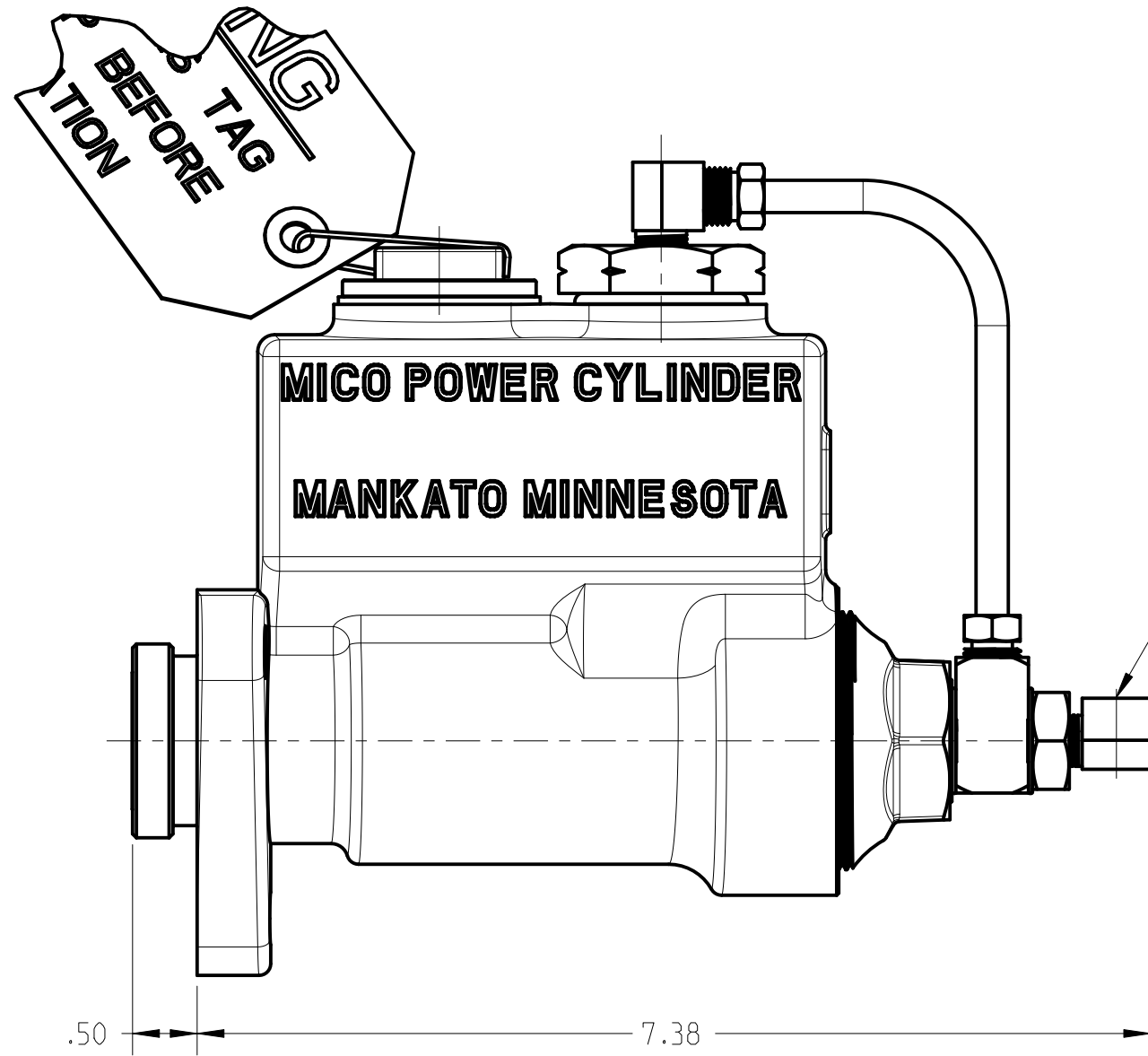


DRAWING NUMBER	03-020-617
NPI OR ECN NO	
ECN	H000186



NOTES:

1. TO BE USED WITH MINERAL BASE HYDRAULIC OIL ONLY.
2. DIMENSIONS MAY VARY BETWEEN UNITS AND ARE FOR REFERENCE PURPOSES ONLY. MILLIMETER VALUES MAY NOT BE AN EXACT CONVERSION OF INCH VALUES.
3. BOOT AND PUSHROD MAY BE SHIPPED UNASSEMBLED.
4. REPAIR KIT P/N 02-001-080.
5. SURFACE FINISH: PRIMER PAINT.
6. WHEN CHECK VALVE IS REMOVED THE P/N IS 03-021-617.

PERFORMANCE CHARACTERISTICS:

1. RELIEF VALVE SETTING IS 170±10 PSI.
2. LOW PRESSURE BORE: Ø1.50 [38.1]
3. HIGH PRESSURE BORE: Ø.88 [22.4]
4. STROKE: 1.44 [36.6]

INCH
[MILLIMETER]



COMPONENT AND SYSTEM RECOMMENDATIONS MADE BY MICO, INC. ARE BASED ON INFORMATION SUPPLIED BY POTENTIAL USER AND/OR SYSTEM DESIGNER. THE POTENTIAL USER AND/OR DESIGNER MUST MAKE FINAL ACCEPTANCE AND APPROVAL OF COMPONENTS AND SYSTEM AFTER TESTING PERFORMANCE ON AN ACTUAL APPLICATION FOR WHICH SYSTEM WAS DESIGNED.		MICO, INC. CLAIMS PROPRIETARY RIGHTS TO THE MATERIAL DISCLOSED IN THIS DOCUMENT. THIS DOCUMENT IS PROVIDED IN CONFIDENCE AND MAY NOT BE REPRODUCED OR DISCLOSED WITHOUT WRITTEN PERMISSION FROM MICO, INC. COPYRIGHT MICO, INC. ALL RIGHTS RESERVED.		SCALE 0.750	TITLE POWER CYLINDER	SIZE B	DRAWING NUMBER 03-020-617	REV B
DWN JJH 2016-04-15	APVD PROD ENGRG PJS 2016-04-27	X NO X06-1155	APVD ENGRG BSW 2016-04-19	CUSTOMER COPY				1 1