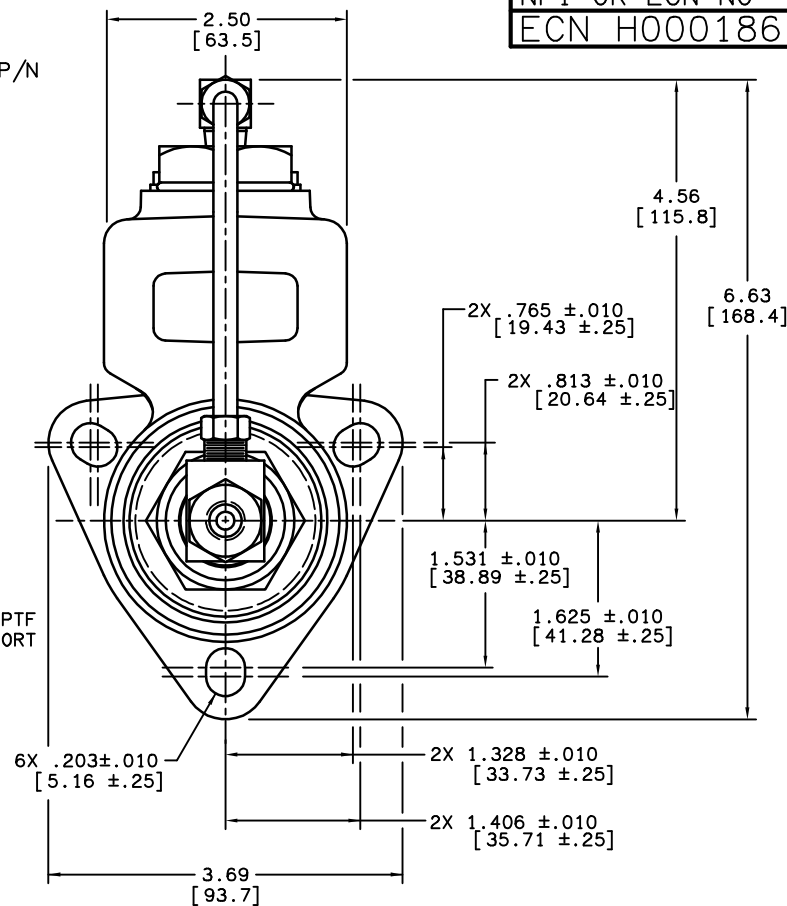
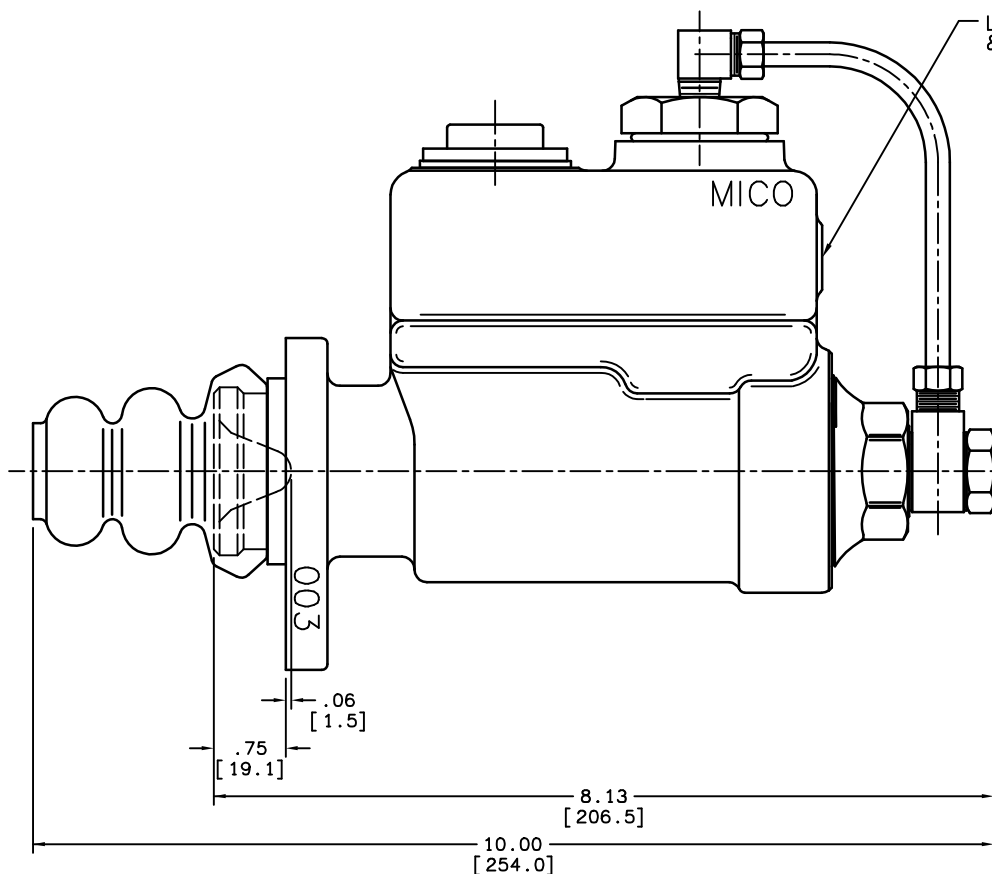


DRAWING NUMBER
03-020-597
NPI OR ECN NO
ECN H000186



NOTES:

1. FOR USE WITH DOT 3,4,OR 5 BRAKE FLUID ONLY.
2. DIMENSIONS MAY VARY SLIGHTLY BETWEEN UNITS AND ARE TO BE USED FOR REFERENCE PURPOSES ONLY.
3. WHEN CHECK VALVE IS REMOVED THE P/N IS 03-021-597.
4. BOOT MAY BE SHIPPED UNASSEMBLED TO CYLINDER.
5. PUSH ROD TO HAVE SPHERICAL R.22 ROD & Ø.44.
6. REPAIR KIT P/N 02-001-096. ALL PARTS FOR THE RELIEF VALVE, EXCEPT FOR THE FILLER PLUG AND INTERNAL SPRING, ARE INCLUDED IN REPAIR KIT.
7. SURFACE FINISH: PRIMER PAINT.

PERFORMANCE CHARACTERISTICS:

1. RELIEF VALVE SETTING IS 125 PSI.
2. LOW PRESSURE BORE: Ø1.75
3. HIGH PRESSURE BORE: Ø1.00
4. STROKE: 1.44

**INCH
[MILLIMETER]**

MICO[®]
a WABCO company

COMPONENT AND SYSTEM RECOMMENDATIONS MADE BY MICO, INC ARE BASED ON INFORMATION SUPPLIED BY POTENTIAL USER AND/OR SYSTEM DESIGNER. THE POTENTIAL USER AND/OR DESIGNER MUST MAKE FINAL ACCEPTANCE AND APPROVAL OF COMPONENTS AND SYSTEM AFTER TESTING PERFORMANCE ON AN ACTUAL APPLICATION FOR WHICH SYSTEM WAS DESIGNED.

MICO, INC CLAIMS PROPRIETARY RIGHTS TO THE MATERIAL DISCLOSED IN THIS DOCUMENT. THIS DOCUMENT IS PROVIDED IN CONFIDENCE AND MAY NOT BE REPRODUCED OR DISCLOSED WITHOUT WRITTEN PERMISSION FROM MICO, INC. COPYRIGHT MICO, INC. ALL RIGHTS RESERVED.

SCALE .5=1	TITLE POWER CYLINDER	SIZE A	DRAWING NUMBER 03-020-597	REV G
DWN JJH 2016-04-21	APVD PROD ENGRG PJS 2016-04-29			
X NO	APVD ENGRG BSW 2016-04-21		CUSTOMER COPY	