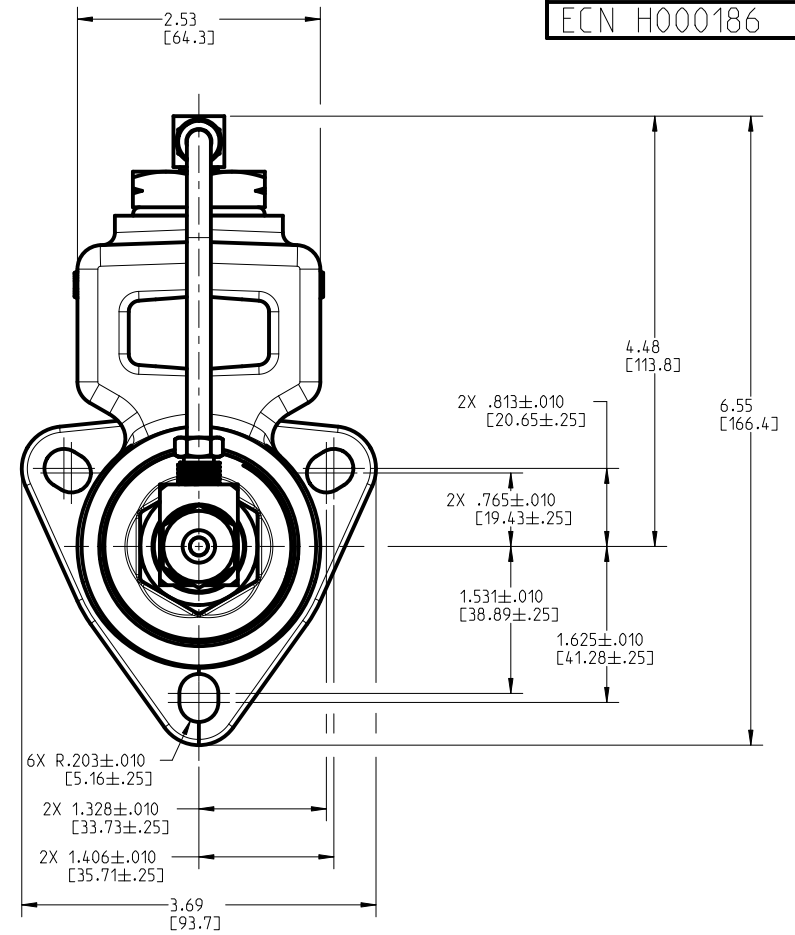
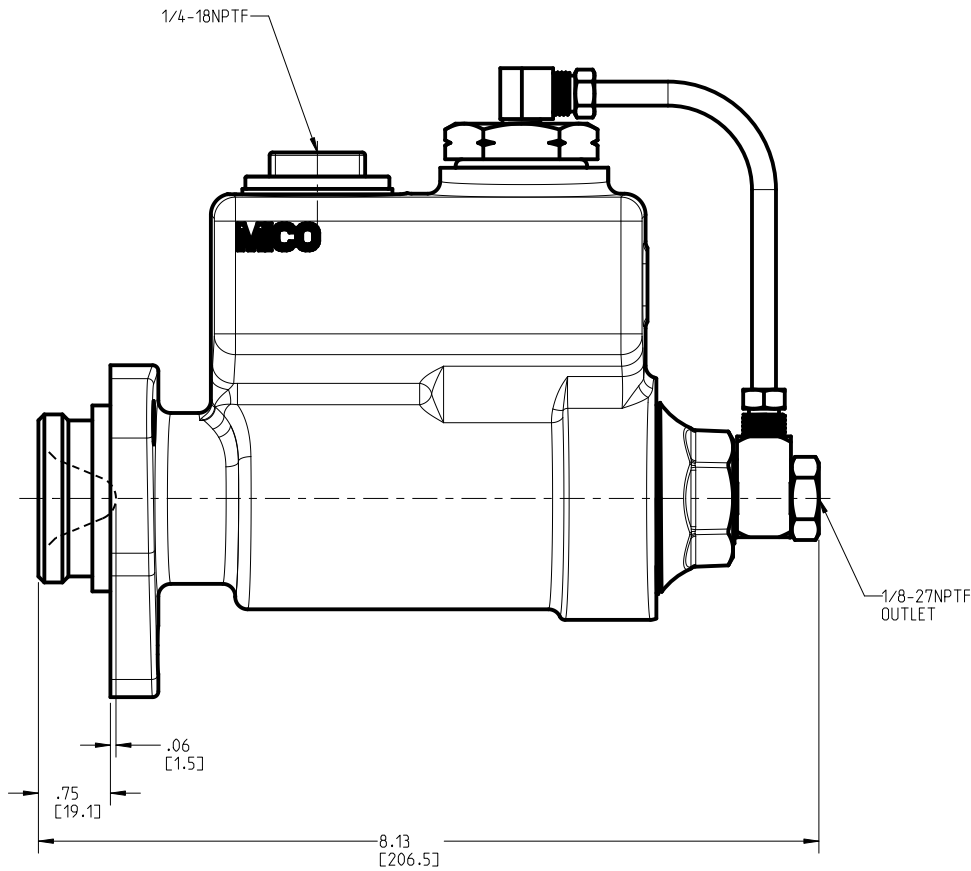


DRAWING NUMBER
03-020-577
NPI OR ECN NO
ECN H000186



NOTES:

1. FOR USE WITH DOT 3, 4 OR 5 BRAKE FLUID ONLY.
2. DIMENSIONS MAY VARY BETWEEN UNITS AND ARE TO BE USED FOR REFERENCE PURPOSES ONLY. MILLIMETER VALUES MAY NOT BE AN EXACT CONVERSION OF INCH VALUES.
3. SURFACE FINISH: PRIMER PAINT.
4. REPAIR KIT P/N 02-001-174. ALL PARTS FOR THE RELIEF VALVE, EXCEPT FOR THE FILLER PLUG, ARE INCLUDED IN REPAIR KIT.
5. PUSH ROD TO HAVE .21 SPHERICAL RADIUS AND .43 ROD DIA.

PERFORMANCE CHARACTERISTICS:

1. RELIEF VALVE SETTING IS 90 PSI.
2. LOW PRESSURE BORE: $\varnothing 1.75$
3. HIGH PRESSURE BORE: $\varnothing 1.00$
4. STROKE: 1.44

INCH
[MILLIMETER]



COMPONENT AND SYSTEM RECOMMENDATIONS MADE BY MICO, INC. ARE BASED ON INFORMATION SUPPLIED BY POTENTIAL USER AND/OR SYSTEM DESIGNER. THE POTENTIAL USER AND/OR DESIGNER MUST MAKE FINAL ACCEPTANCE AND APPROVAL OF COMPONENTS AND SYSTEM AFTER TESTING PERFORMANCE ON AN ACTUAL APPLICATION FOR WHICH SYSTEM WAS DESIGNED.

MICO, INC. CLAIMS PROPRIETARY RIGHTS TO THE MATERIAL DISCLOSED IN THIS DOCUMENT. THIS DOCUMENT IS PROVIDED IN CONFIDENCE AND MAY NOT BE REPRODUCED OR DISCLOSED WITHOUT WRITTEN PERMISSION FROM MICO, INC. COPYRIGHT MICO, INC. ALL RIGHTS RESERVED.

SCALE 0.500		TITLE POWER CYLINDER		
DWN JJH 2016-04-15	APVD PROD ENGRG PJS 2016-04-27	SIZE A	DRAWING NUMBER 03-020-577	REV F
X NO	APVD ENGRG BSW 2016-04-19		CUSTOMER COPY	1 1