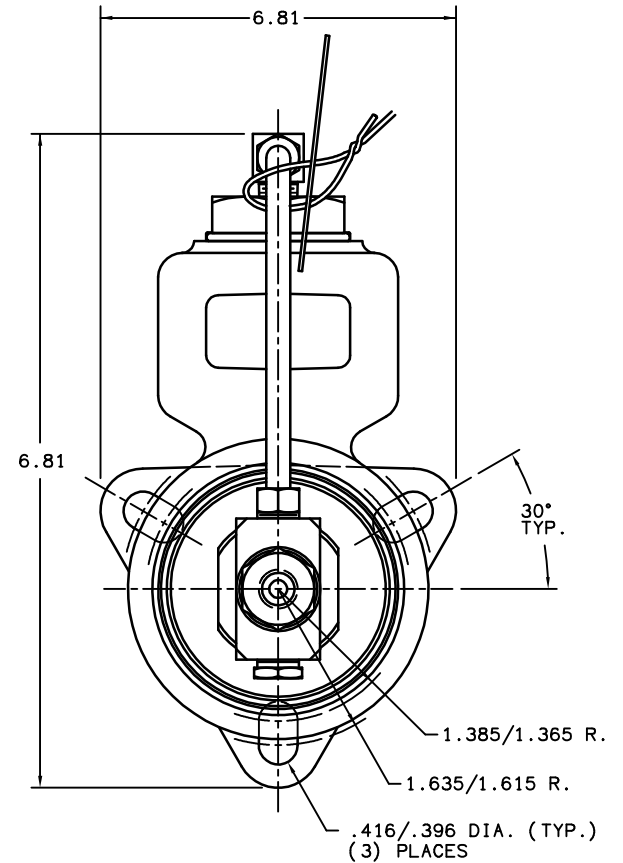
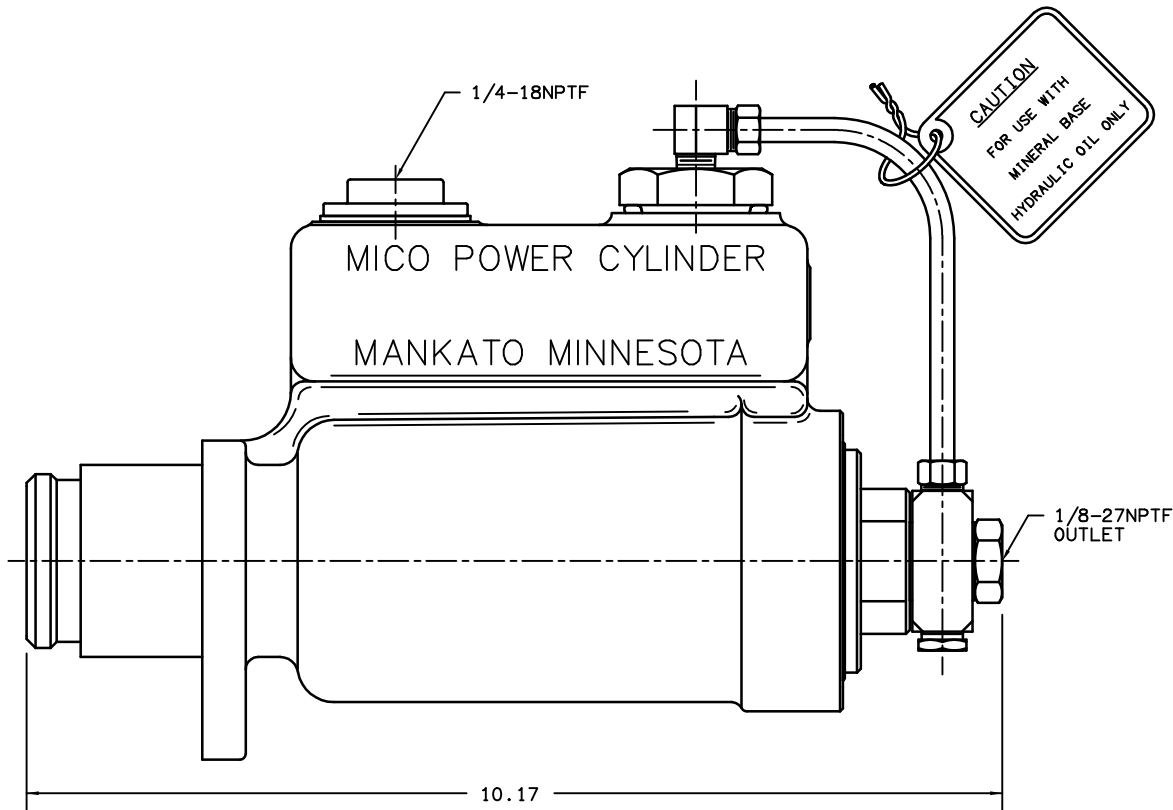


DRAWING NUMBER
03-020-458
NPI OR ECN NO
ECN H000186



NOTES:

1. FOR USE WITH MINERAL BASE HYDRAULIC OIL ONLY.
2. DIMENSIONS MAY VARY SLIGHTLY BETWEEN UNITS AND ARE TO BE USED FOR REFERENCE PURPOSES ONLY.
3. REPAIR KIT P/N 02-001-039.
4. SURFACE FINISH: PRIMER PAINT.

PERFORMANCE CHARACTERISTICS:

1. LOW PRESSURE BORE IS 2.25 DIA.
2. HIGH PRESSURE BORE IS 1.13 DIA.
3. RELIEF VALVE SETTING IS 90 PSI.
4. STROKE: 1.44 MAX.

COMPONENT AND SYSTEM RECOMMENDATIONS MADE BY MICO, INC ARE BASED ON INFORMATION SUPPLIED BY POTENTIAL USER AND/OR SYSTEM DESIGNER. THE POTENTIAL USER AND/OR DESIGNER MUST MAKE FINAL ACCEPTANCE AND APPROVAL OF COMPONENTS AND SYSTEM AFTER TESTING PERFORMANCE ON AN ACTUAL APPLICATION FOR WHICH SYSTEM WAS DESIGNED.

MICO, INC CLAIMS PROPRIETARY RIGHTS TO THE MATERIAL DISCLOSED IN THIS DOCUMENT. THIS DOCUMENT IS PROVIDED IN CONFIDENCE AND MAY NOT BE REPRODUCED OR DISCLOSED WITHOUT WRITTEN PERMISSION FROM MICO, INC. COPYRIGHT MICO, INC. ALL RIGHTS RESERVED.



SCALE 1/2=1	TITLE POWER CYLINDER	SIZE A	DRAWING NUMBER 03-020-458	REV F
DWN JJH 2016-04-20	APVD PROD ENGRG PJS 2016-04-29		CUSTOMER COPY	
X NO	APVD ENGRG BSW 2016-04-21			