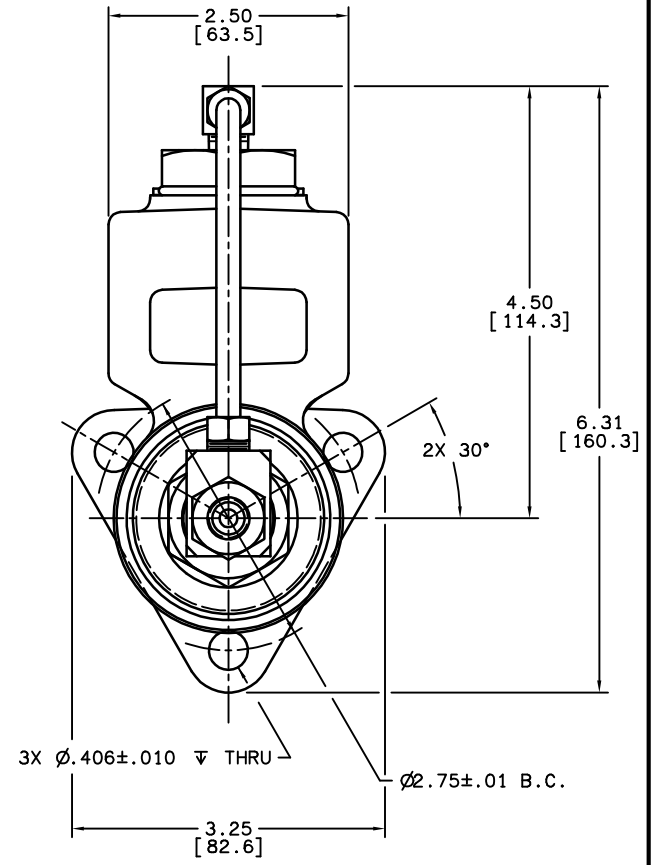
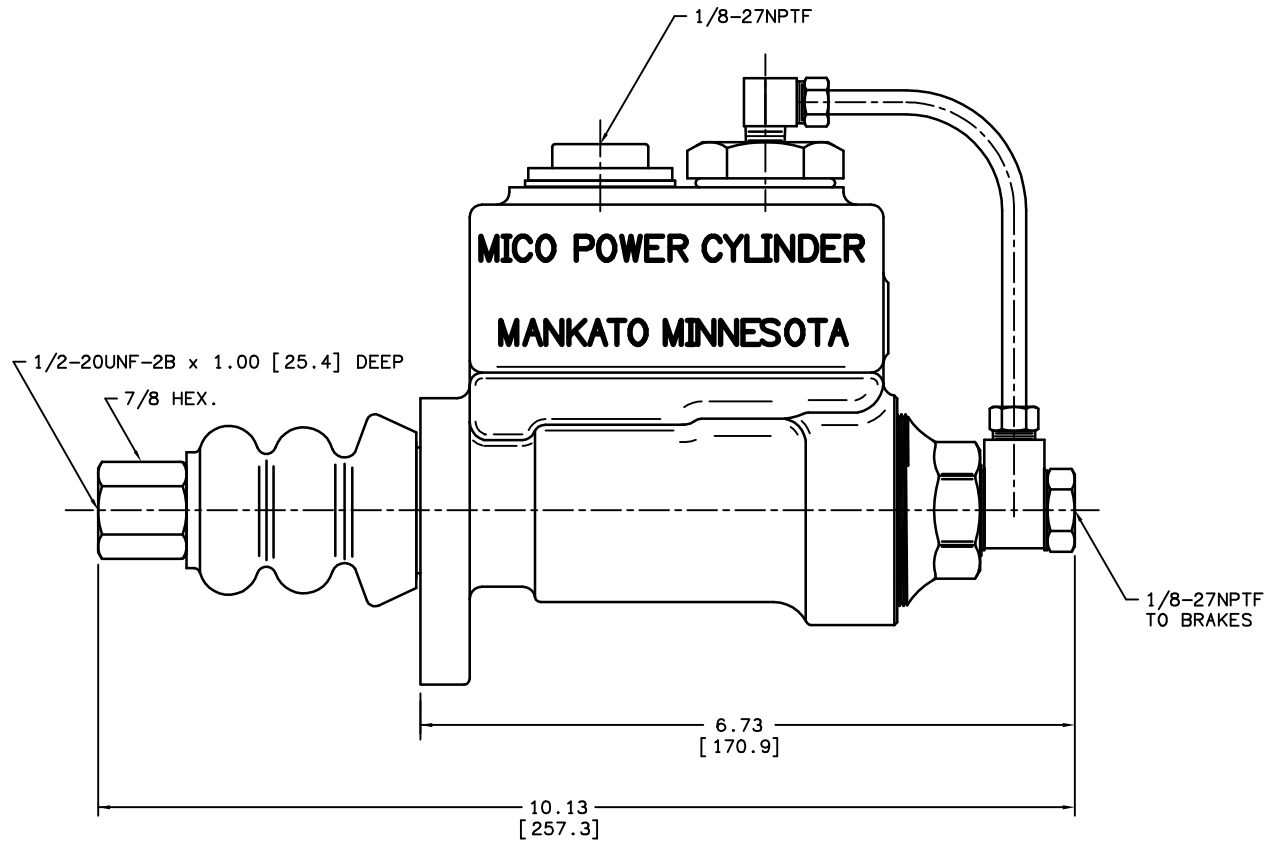


DRAWING NUMBER
03-020-402
NPI OR ECN NO
ECN H000186



NOTES:

1. FOR USE WITH MINERAL BASE HYDRAULIC OIL ONLY.
2. DIMENSIONS MAY VARY BETWEEN UNITS AND ARE FOR REFERENCE PURPOSES ONLY. MILLIMETER VALUES MAY NOT BE AN EXACT CONVERSION OF INCH VALUES.
3. PUSH ROD AND BOOT MAY BE SHIPPED UNASSEMBLED TO CYLINDER.
4. REPAIR KIT P/N 02-001-080.
5. SURFACE FINISH: PRIMER PAINT.

PERFORMANCE CHARACTERISTICS:

1. RELIEF VALVE SETTING IS 170±5 PSI.
2. LOW PRESSURE BORE: $\phi 1.50$
3. HIGH PRESSURE BORE: $\phi .88$
4. STROKE: 1.44

COMPONENT AND SYSTEM RECOMMENDATIONS MADE BY MICO, INC ARE BASED ON INFORMATION SUPPLIED BY POTENTIAL USER AND/OR SYSTEM DESIGNER. THE POTENTIAL USER AND/OR DESIGNER MUST MAKE FINAL ACCEPTANCE AND APPROVAL OF COMPONENTS AND SYSTEM AFTER TESTING PERFORMANCE ON AN ACTUAL APPLICATION FOR WHICH SYSTEM WAS DESIGNED.

MICO, INC CLAIMS PROPRIETARY RIGHTS TO THE MATERIAL DISCLOSED IN THIS DOCUMENT. THIS DOCUMENT IS PROVIDED IN CONFIDENCE AND MAY NOT BE REPRODUCED OR DISCLOSED WITHOUT WRITTEN PERMISSION FROM MICO, INC. COPYRIGHT MICO, INC. ALL RIGHTS RESERVED.

INCH
[MILLIMETER]



SCALE 1/2-1	TITLE POWER CYLINDER			
DWN JJH 2016-04-20	APVD PROD ENGRG	SIZE A	DRAWING NUMBER 03-020-402	REV K
X NO	APVD ENGRG BSW 2016-04-21		CUSTOMER COPY	