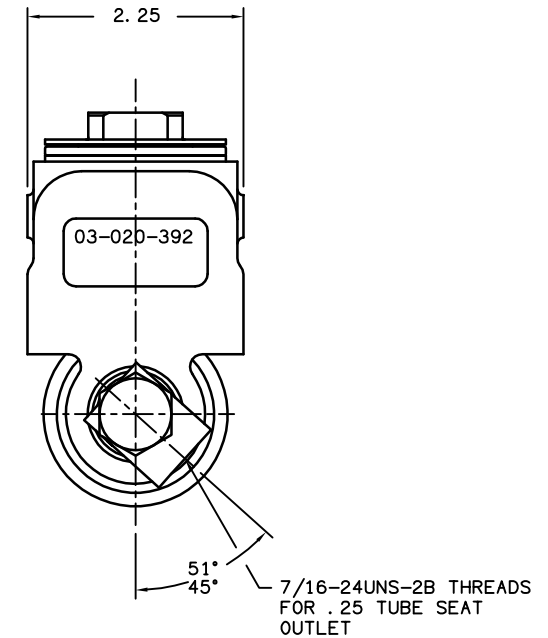
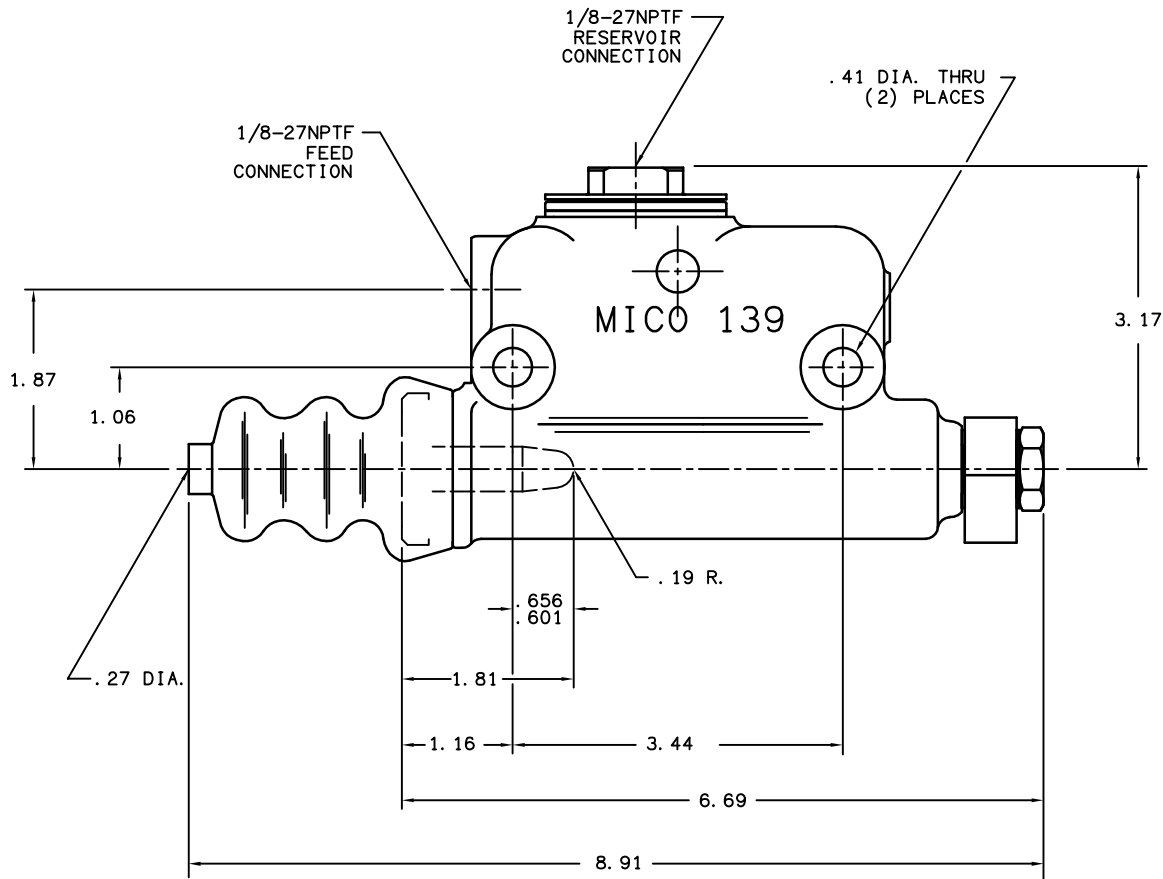


DRAWING NUMBER
03-020-392
NPI OR ECN NO
ECN N000920



NOTES:

1. FOR USE WITH MINERAL BASE HYDRAULIC OIL ONLY.
2. DIMENSIONS MAY VARY SLIGHTLY BETWEEN UNITS AND ARE TO BE USED FOR REFERENCE PURPOSES ONLY.
3. CLARK P/N 2771979.
4. REPAIR KIT P/N 02-001-251.
5. BOOT MAY BE SHIPPED UNASSEMBLED TO CYLINDER.

PERFORMANCE CHARACTERISTICS:

1. BORE IS 1.00 DIA.
2. STROKE IS 1.44 INCHES.

COMPONENT AND SYSTEM RECOMMENDATIONS MADE BY MICO, INC. ARE BASED ON INFORMATION SUPPLIED BY POTENTIAL USER AND/OR SYSTEM DESIGNER. THE POTENTIAL USER AND/OR DESIGNER MUST MAKE FINAL ACCEPTANCE AND APPROVAL OF COMPONENTS AND SYSTEM AFTER TESTING PERFORMANCE ON AN ACTUAL APPLICATION FOR WHICH SYSTEM WAS DESIGNED.

MICO, INC CLAIMS PROPRIETARY RIGHTS TO THE MATERIAL DISCLOSED IN THIS DOCUMENT. THIS DOCUMENT IS PROVIDED IN CONFIDENCE AND MAY NOT BE REPRODUCED OR DISCLOSED WITHOUT WRITTEN PERMISSION FROM MICO, INC. COPYRIGHT MICO, INC. ALL RIGHTS RESERVED.



SCALE NONE	TITLE MASTER CYLINDER		
DWN MAP 2009-12-16	APVD PROD ENGRG DPD 2009-12-28	SIZE A	DRAWING NUMBER 03-020-392
X NO -	APVD ENGRG BSW 2009-12-17		REV N
		CUSTOMER COPY	