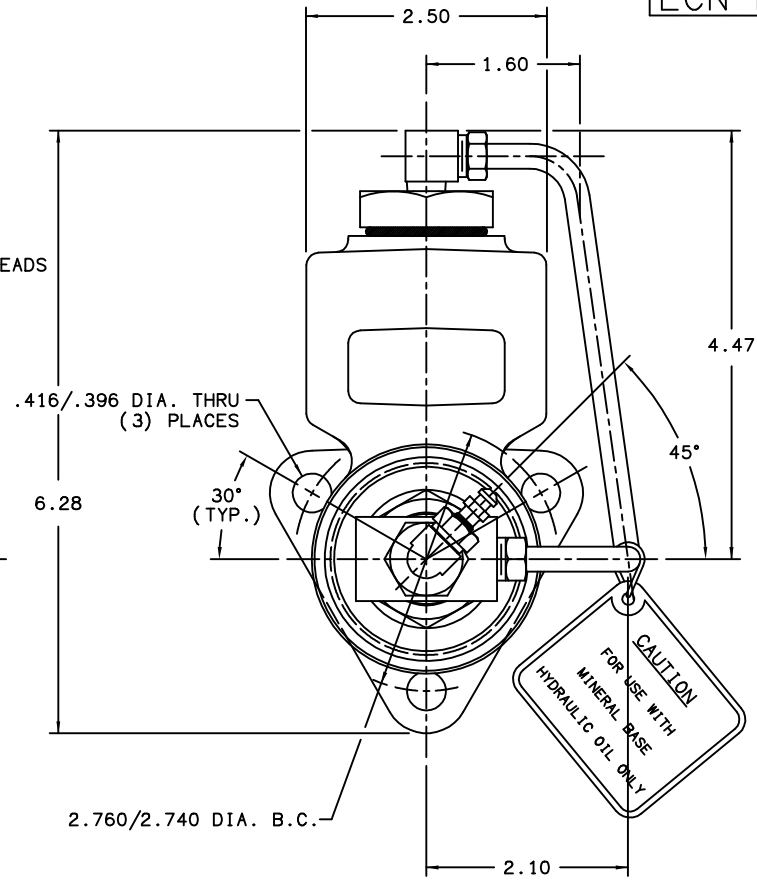
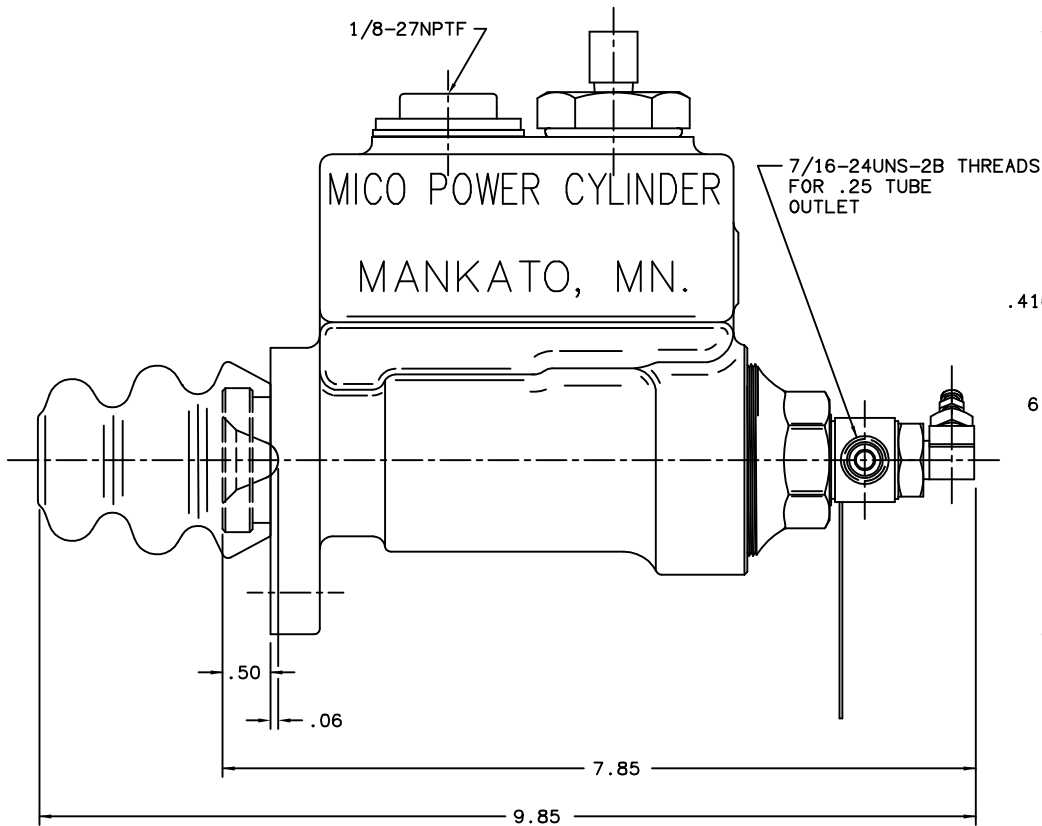


DRAWING NUMBER
03-020-382
NPI OR ECN NO
ECN H000186



NOTES:

1. FOR USE WITH HYDRAULIC OIL ONLY.
2. DIMENSIONS MAY VARY SLIGHTLY BETWEEN UNITS AND ARE TO BE USED FOR REFERENCE PURPOSES ONLY.
3. REPAIR KIT P/N 02-001-100. ALL PARTS FOR THE RELIEF VALVE, EXCEPT FOR THE FILLER PLUG AND INTERNAL SPRING, ARE INCLUDED IN REPAIR KIT.
4. BOOT MAY BE SHIPPED UNASSEMBLED TO CYLINDER.
5. CLARK P/N 1925018.
6. PUSH ROD TO HAVE .21 SPHERICAL R. & .43 ROD DIA.
7. SURFACE FINISH: PRIMER PAINT.

PERFORMANCE CHARACTERISTICS:

1. RELIEF VALVE SETTING IS 190 PSI.
2. LOW PRESSURE BORE: 1.50 DIA.
3. HIGH PRESSURE BORE: .75 DIA.
4. STROKE: 1.44

COMPONENT AND SYSTEM RECOMMENDATIONS MADE BY MICO, INC ARE BASED ON INFORMATION SUPPLIED BY POTENTIAL USER AND/OR SYSTEM DESIGNER. THE POTENTIAL USER AND/OR DESIGNER MUST MAKE FINAL ACCEPTANCE AND APPROVAL OF COMPONENTS AND SYSTEM AFTER TESTING PERFORMANCE ON AN ACTUAL APPLICATION FOR WHICH SYSTEM WAS DESIGNED.

MICO, INC CLAIMS PROPRIETARY RIGHTS TO THE MATERIAL DISCLOSED IN THIS DOCUMENT. THIS DOCUMENT IS PROVIDED IN CONFIDENCE AND MAY NOT BE REPRODUCED OR DISCLOSED WITHOUT WRITTEN PERMISSION FROM MICO, INC. COPYRIGHT MICO, INC. ALL RIGHTS RESERVED.



SCALE NONE		TITLE POWER CYLINDER		
DWN JJH 2016-04-14	APVD PROD ENGRG PJS 2016-04-27	SIZE A	DRAWING NUMBER 03-020-382	REV J
X NO	APVD ENGRG BSW 2016-04-19		CUSTOMER COPY	