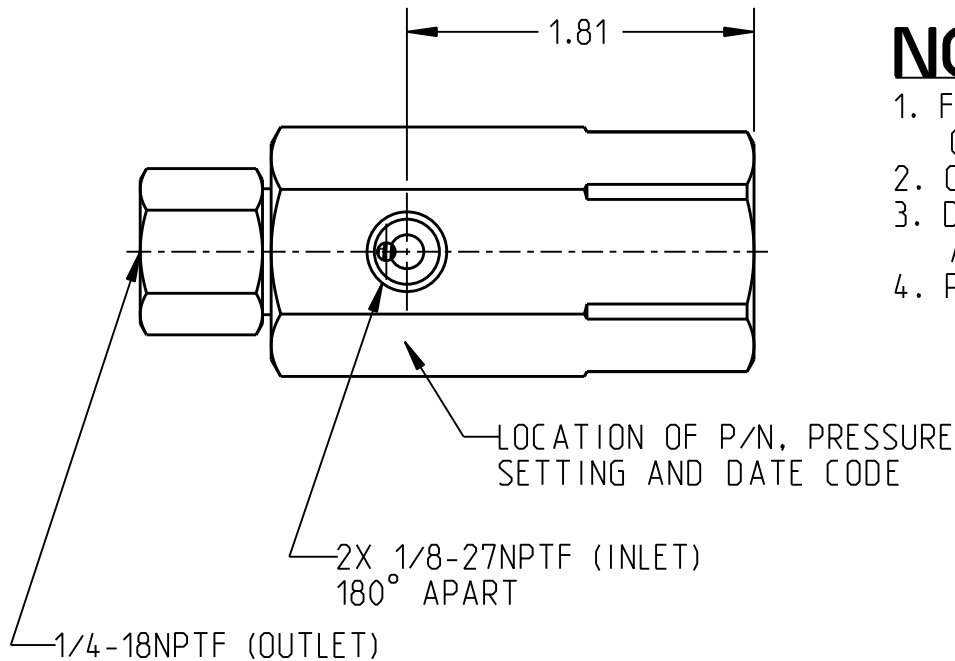
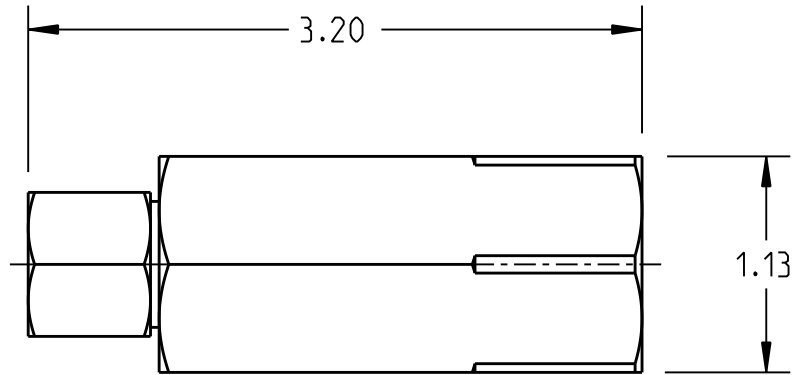


DRAWING NUMBER 02-740-058
NPI OR ECN NO
ECN B000899



NOTES:

1. FOR USE WITH DOT 3, 4, OR 5 BRAKE FLUID OR MINERAL BASE HYDRAULIC OIL.
2. CUT OUT RANGE IS 700 PSI \pm 5%.
3. DIMENSIONS MAY VARY BETWEEN UNITS AND ARE TO BE USED FOR REFERENCE PURPOSES ONLY.
4. PIPE PLUG MAY BE SHIPPED UNASSEMBLED.



North Mankato, Minnesota USA

COMPONENT AND SYSTEM RECOMMENDATIONS MADE BY MICO, INC ARE BASED ON INFORMATION SUPPLIED BY POTENTIAL USER AND/OR SYSTEM DESIGNER. THE POTENTIAL USER AND/OR DESIGNER MUST MAKE FINAL ACCEPTANCE AND APPROVAL OF COMPONENTS AND SYSTEM AFTER TESTING PERFORMANCE ON AN ACTUAL APPLICATION FOR WHICH SYSTEM WAS DESIGNED.

MICO, INC CLAIMS PROPRIETARY RIGHTS TO THE MATERIAL DISCLOSED IN THIS DOCUMENT. THIS DOCUMENT IS PROVIDED IN CONFIDENCE AND MAY NOT BE REPRODUCED OR DISCLOSED WITHOUT WRITTEN PERMISSION FROM MICO, INC. COPYRIGHT MICO, INC. ALL RIGHTS RESERVED.

SCALE 1.000	TITLE PRESSURE LIMITER			
DWN MAP 2009-11-11	APVD PROD ENGRG DPD 2009-11-13	SIZE A	DRAWING NUMBER 02-740-058	REV G
X NO .	APVD ENGRG BSW 2009-11-12		CUSTOMER COPY	1 1