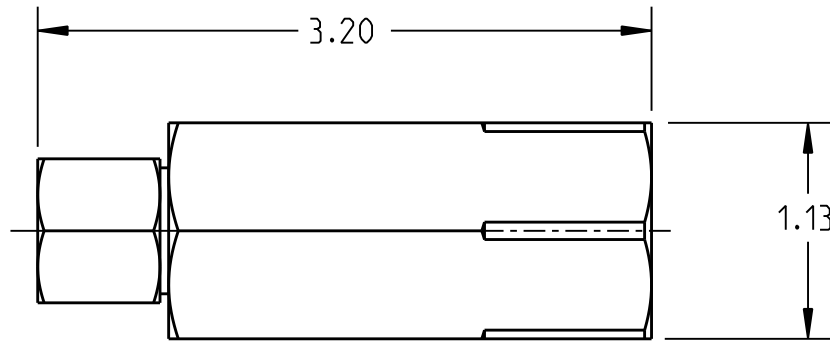
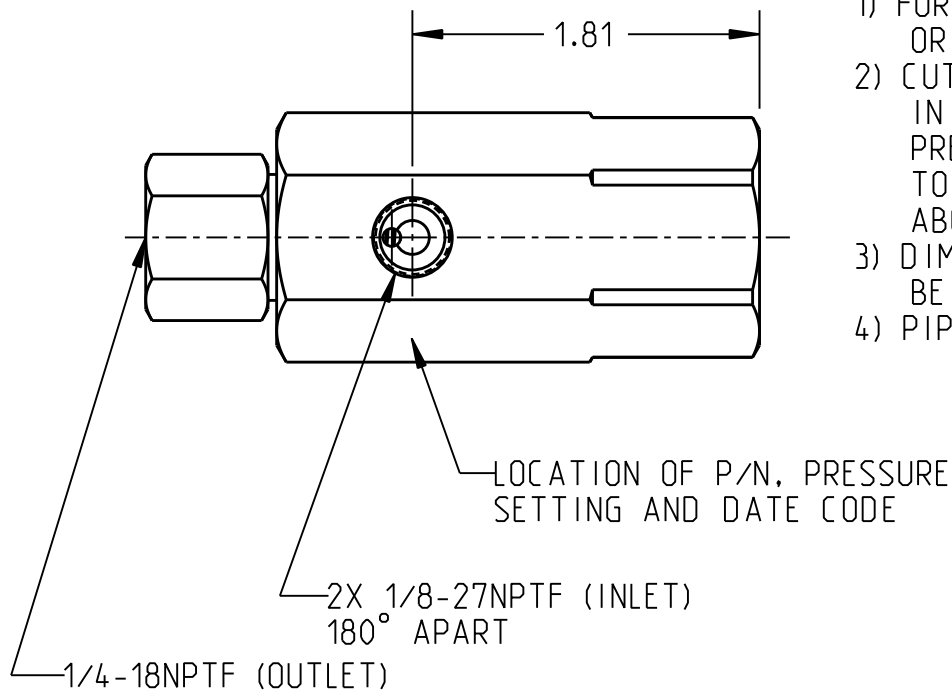


DRAWING NUMBER 02-740-052
NPI OR ECN NO
ECN D000106



NOTES:

- 1) FOR USE WITH DOT 3, 4, OR 5 BRAKE FLUID OR MINERAL BASE HYDRAULIC OIL.
- 2) CUT OUT RANGE IS 700-2000 PSI. THE LAST FOUR DIGITS IN THE PART NUMBER (02-740-052-XXXX) REFER TO SPECIFIC PRESSURE SETTING $\pm 5\%$ (INCREMENTS OF 25 PSI UP TO 1000 PSI SETTING, INCREMENTS OF 50 PSI FOR SETTINGS ABOVE 1000 PSI).
- 3) DIMENSIONS MAY VARY SLIGHTLY BETWEEN UNITS AND SHOULD BE USED FOR REFERENCE PURPOSES ONLY.
- 4) PIPE PLUG MAY BE SHIPPED UNASSEMBLED.



North Mankato, Minnesota USA

COMPONENT AND SYSTEM RECOMMENDATIONS MADE BY MICO, INC ARE BASED ON INFORMATION SUPPLIED BY POTENTIAL USER AND/OR SYSTEM DESIGNER. THE POTENTIAL USER AND/OR DESIGNER MUST MAKE FINAL ACCEPTANCE AND APPROVAL OF COMPONENTS AND SYSTEM AFTER TESTING PERFORMANCE ON AN ACTUAL APPLICATION FOR WHICH SYSTEM WAS DESIGNED.

MICO, INC CLAIMS PROPRIETARY RIGHTS TO THE MATERIAL DISCLOSED IN THIS DOCUMENT. THIS DOCUMENT IS PROVIDED IN CONFIDENCE AND MAY NOT BE REPRODUCED OR DISCLOSED WITHOUT WRITTEN PERMISSION FROM MICO, INC. COPYRIGHT MICO, INC. ALL RIGHTS RESERVED.

SCALE 1.000	TITLE PRESSURE LIMITER			
DWN JJH 2011-01-11	APVD PROD ENGRG DPD 2011-01-17	SIZE A	DRAWING NUMBER 02-740-052	REV H
X NO .	APVD ENGRG BSW 2011-01-13		CUSTOMER COPY	0 0