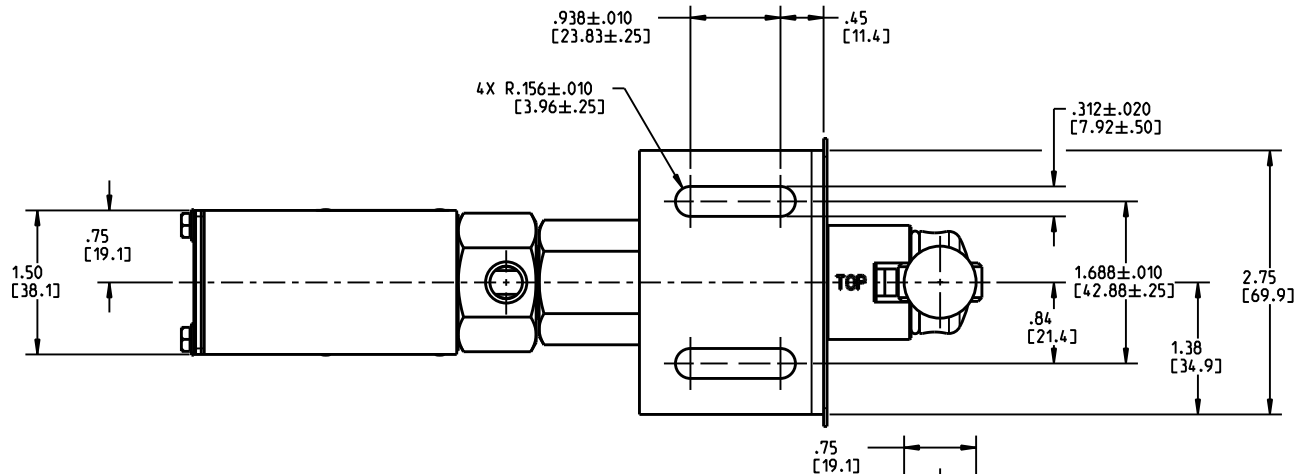


DRAWING NUMBER  
02-640-126  
NPI OR ECN NO  
ECN C000308



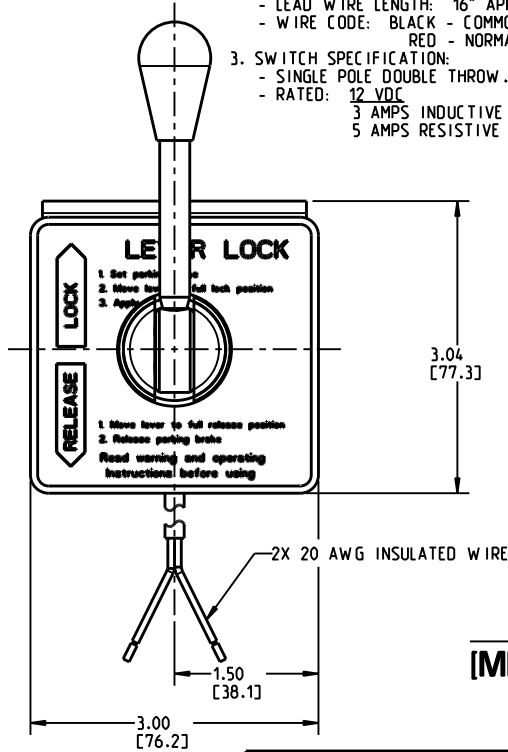
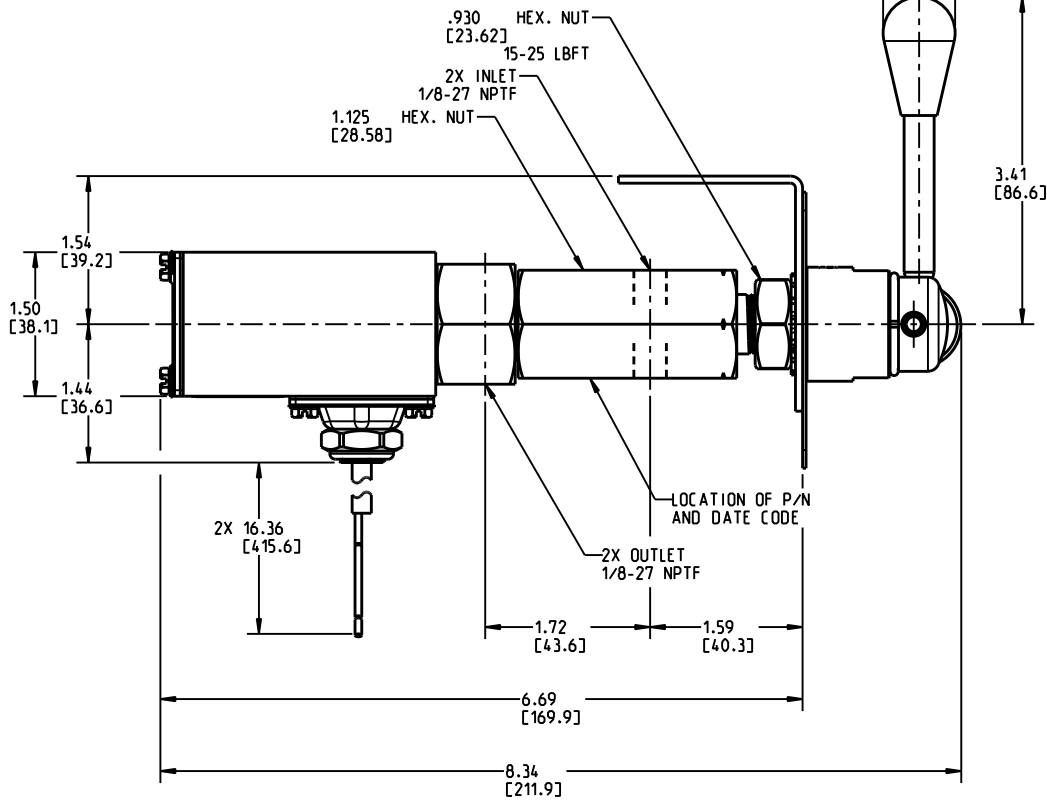
**NOTES:**

1. TO BE USED WITH MINERAL BASE HYDRAULIC OIL ONLY.
2. DIMENSIONS MAY VARY BETWEEN UNITS AND ARE TO BE USED FOR REFERENCE PURPOSES ONLY. MILLIMETER VALUES MAY NOT BE AN EXACT CONVERSION OF INCH VALUES.
3. LABEL MAY BE SHIPPED UNASSEMBLED.
4. 20-000-017 FITTING KIT INCLUDED.

**PERFORMANCE CHARACTERISTICS:**

1. PRESSURE SETTING TO BE AS FOLLOWS:
  - CONTACTS OPEN BY 750 PSI MAX. INCREASING.
  - CONTACTS CLOSE BY 550 PSI MIN. DECREASING.
2. WEATHER RESISTANT ADJUSTABLE PRESSURE SWITCH:
  - PROOF PRESSURE: 15,000 PSI.
  - LEAD WIRE LENGTH: 16" APPROXIMATE.
  - WIRE CODE: BLACK - COMMON  
RED - NORMALLY CLOSED
3. SWITCH SPECIFICATION:
  - SINGLE POLE DOUBLE THROW.
  - RATED:
 

12 VDC	30 VDC	125 VAC	250 VAC
3 AMPS INDUCTIVE	3 AMPS INDUCTIVE	5 AMPS	5 AMPS
5 AMPS RESISTIVE	5 AMPS RESISTIVE		



**INCH**  
**[MILLIMETER]**



North Mankato, Minnesota USA

COMPONENT AND SYSTEM RECOMMENDATIONS MADE BY MICO, INC ARE BASED ON INFORMATION SUPPLIED BY POTENTIAL USER AND/OR SYSTEM DESIGNER. THE POTENTIAL USER AND/OR DESIGNER MUST MAKE FINAL ACCEPTANCE AND APPROVAL OF COMPONENTS AND SYSTEM AFTER TESTING PERFORMANCE ON AN ACTUAL APPLICATION FOR WHICH SYSTEM WAS DESIGNED.

MICO, INC CLAIMS PROPRIETARY RIGHTS TO THE MATERIAL DISCLOSED IN THIS DOCUMENT. THIS DOCUMENT IS PROVIDED IN CONFIDENCE AND MAY NOT BE REPRODUCED OR DISCLOSED WITHOUT WRITTEN PERMISSION FROM MICO, INC. COPYRIGHT MICO, INC. ALL RIGHTS RESERVED.

SCALE 0.500	TITLE LEVER LOCK WITH PRESSURE SWITCH			
DWN MAP 28-Nov-07	APVD PROD ENGRG AB 17-JUL-2008	SIZE A	DRAWING NUMBER 02-640-126	REV J
X NO	APVD ENGRG BSW 2008-07-10		CUSTOMER COPY	0 2