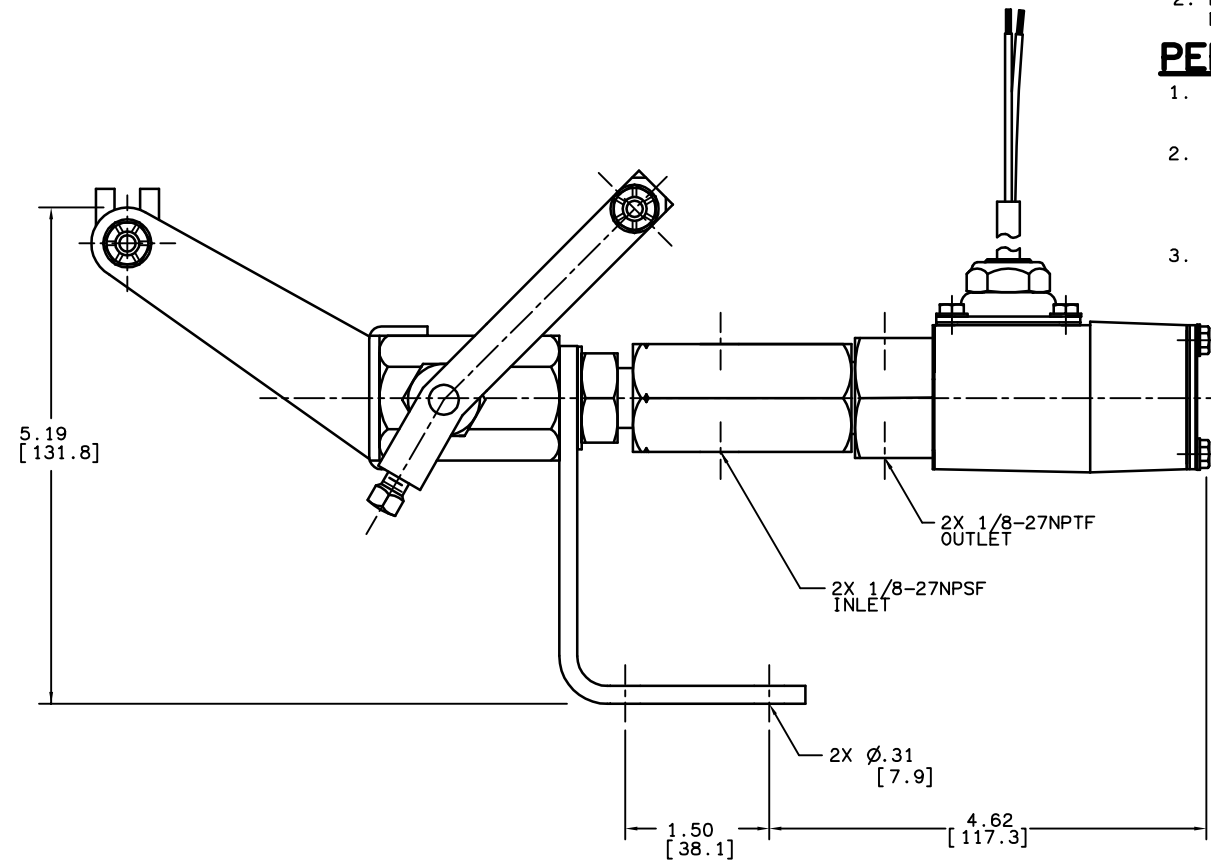
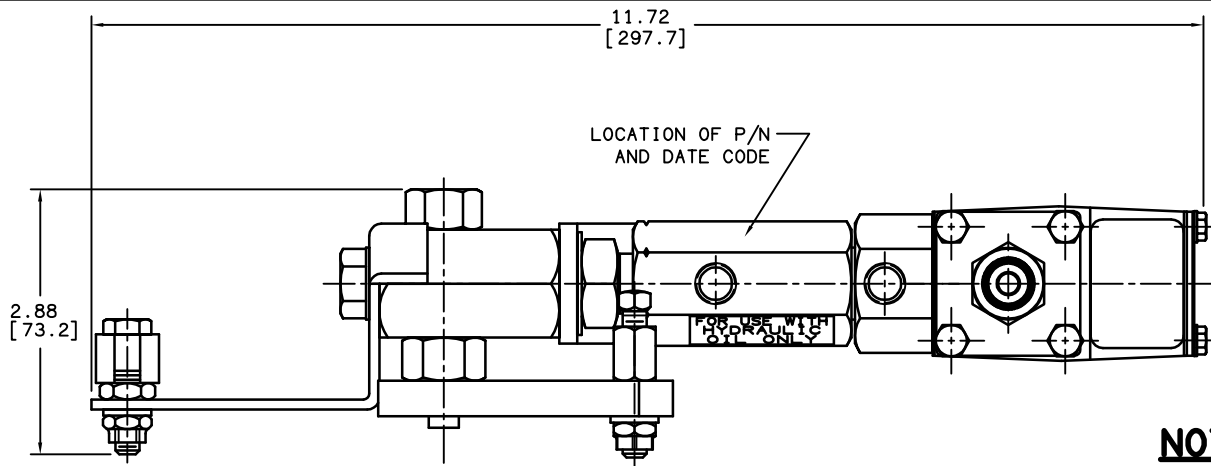


DRAWING NUMBER
02-640-122
NPI OR ECN NO
ECN C000457



NOTES:

1. FOR USE WITH MINERAL BASE HYDRAULIC OIL ONLY.
2. DIMENSIONS VARY BETWEEN UNITS AND ARE FOR REFERENCE PURPOSES ONLY. MILLIMETER VALUES MAY NOT BE EXACT CONVERSION OF INCH VALUES.

PERFORMANCE CHARACTERISTICS:

1. PRESSURE SETTING TO BE AS FOLLOWS:
 - CONTACTS OPEN BY 750 PSI MAX. INCREASING.
 - CONTACTS CLOSE BY 550 PSI MIN. DECREASING.
2. WEATHER RESISTANT ADJUSTABLE PRESSURE SWITCH.
 - PROOF PRESSURE: 15,000 PSI.
 - LEAD WIRE LENGTH: 16" APPROXIMATE.
 - WIRE CODE: BLACK - COMMON
 - RED - NORMALLY CLOSED.
3. SWITCH SPECIFICATIONS.
 - SINGLE POLE DOUBLE THROW.
 - RATED: 12 VDC 30 VDC 125 VAC 250 VDC
 - 3 AMPS INDUCTIVE 3 AMPS INDUCTIVE 5 AMPS 5 AMPS
 - 5 AMPS RESISTIVE 5 AMPS RESISTIVE

INCH
[MILLIMETER]



COMPONENT AND SYSTEM RECOMMENDATIONS MADE BY MICO, INC ARE BASED ON INFORMATION SUPPLIED BY POTENTIAL USER AND/OR SYSTEM DESIGNER. THE POTENTIAL USER AND/OR DESIGNER MUST MAKE FINAL ACCEPTANCE AND APPROVAL OF COMPONENTS AND SYSTEM AFTER TESTING PERFORMANCE ON AN ACTUAL APPLICATION FOR WHICH SYSTEM WAS DESIGNED.

MICO, INC CLAIMS PROPRIETARY RIGHTS TO THE MATERIAL DISCLOSED IN THIS DOCUMENT. THIS DOCUMENT IS PROVIDED IN CONFIDENCE AND MAY NOT BE REPRODUCED OR DISCLOSED WITHOUT WRITTEN PERMISSION FROM MICO, INC. COPYRIGHT MICO, INC. ALL RIGHTS RESERVED.

SCALE 1/2-1	TITLE SINGLE LOCK			
DWN JRA 2012-11-30	APVD PROD ENGRG DPD 2013-02-14	SIZE A	DRAWING NUMBER 02-640-122	REV G
X NO	APVD ENGRG BSW 2013-02-05	CUSTOMER COPY		