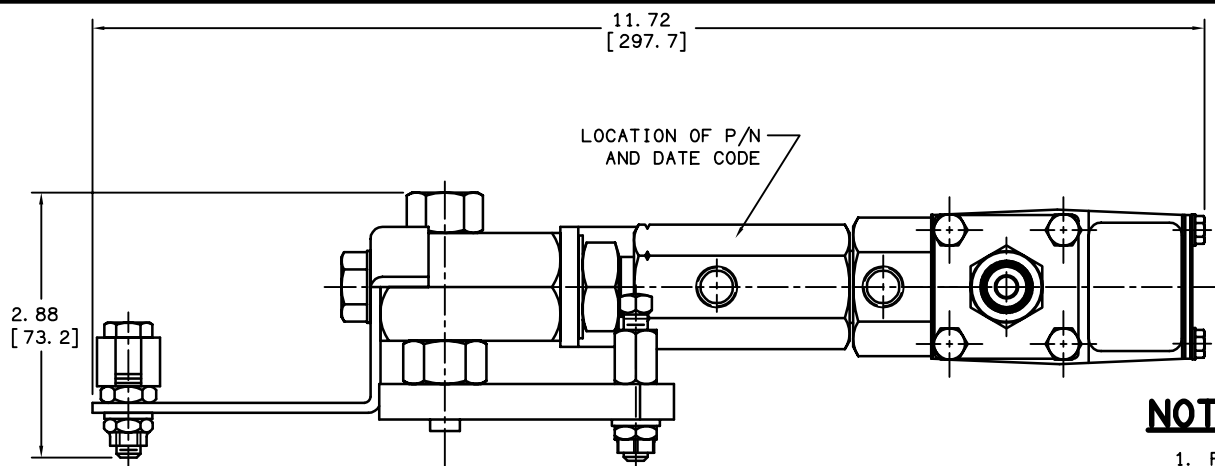


PART NUMBER
02-640-023
NPI OR ECN NO.
ECN C000125



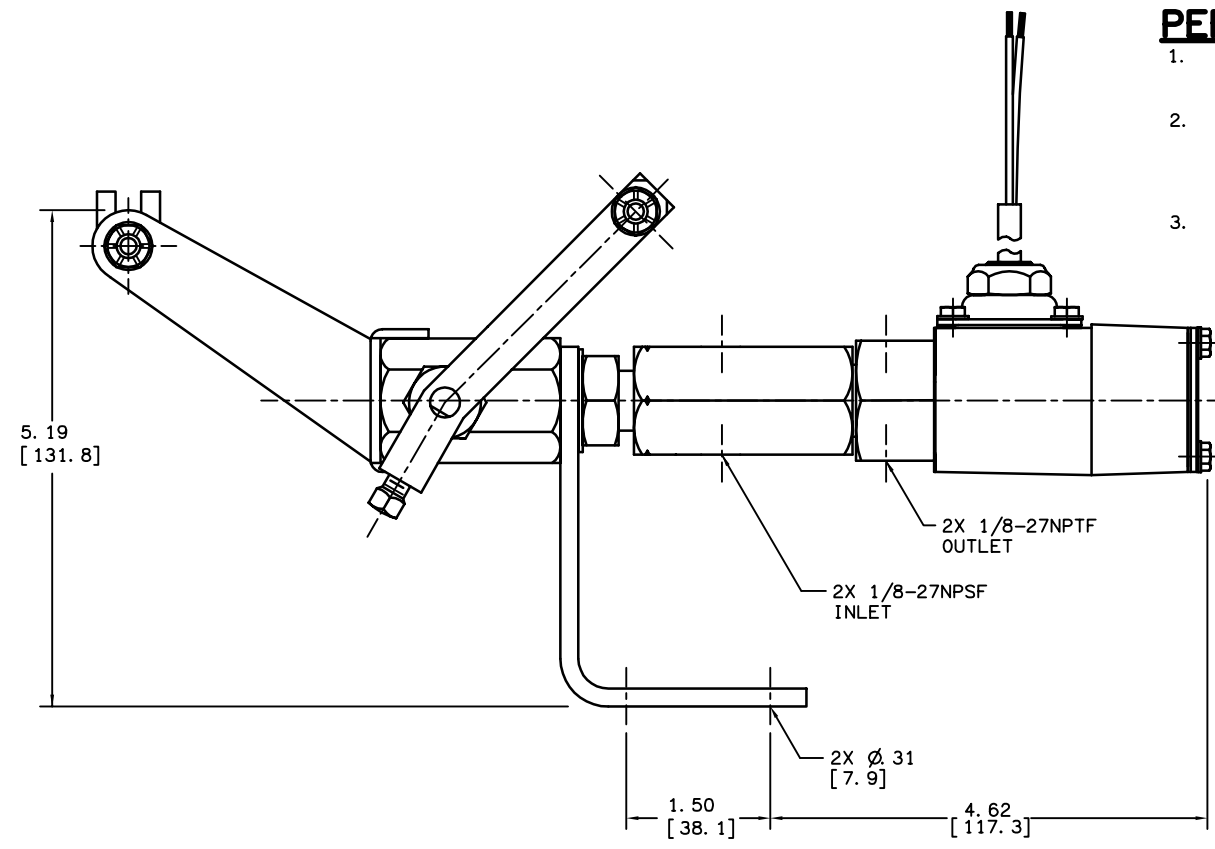
NOTES:

- FOR USE WITH DOT 3, 4 OR 5 BRAKE FLUID ONLY.
- DIMENSIONS MAY VARY SLIGHTLY BETWEEN UNITS AND ARE TO BE USED FOR REFERENCE PURPOSES ONLY.

PERFORMANCE CHARACTERISTICS:

- PRESSURE SETTING TO BE AS FOLLOWS:
 - CONTACTS OPEN BY 750 PSI MAX. INCREASING.
 - CONTACTS CLOSE BY 550 PSI MIN. DECREASING.
- WEATHER RESISTANT ADJUSTABLE PRESSURE SWITCH.
 - PROOF PRESSURE: 15,000 PSI.
 - LEAD WIRE LENGTH: 16" APPROXIMATE.
 - WIRE CODE: BLACK - COMMON
 - RED - NORMALLY CLOSED.
- SWITCH SPECIFICATIONS.
 - SINGLE POLE DOUBLE THROW.
 - RATED:

12 VDC	30 VDC	125 VAC	250 VDC
3 AMPS INDUCTIVE	3 AMPS INDUCTIVE	5 AMPS	5 AMPS
5 AMPS RESISTIVE	5 AMPS RESISTIVE		



INCH
[MILLIMETER]



COMPONENT AND SYSTEM RECOMMENDATIONS MADE BY MICO, INC. ARE BASED ON INFORMATION SUPPLIED BY POTENTIAL USER AND/OR SYSTEM DESIGNER. THE POTENTIAL USER AND/OR DESIGNER MUST MAKE FINAL ACCEPTANCE AND APPROVAL OF COMPONENTS AND SYSTEM AFTER TESTING PERFORMANCE ON AN ACTUAL APPLICATION FOR WHICH SYSTEM WAS DESIGNED.

MICO, INC. CLAIMS PROPRIETARY RIGHTS TO THE MATERIAL DISCLOSED IN THIS DOCUMENT. THIS DOCUMENT IS PROVIDED IN CONFIDENCE AND MAY NOT BE REPRODUCED OR DISCLOSED WITHOUT WRITTEN PERMISSION FROM MICO, INC. COPYRIGHT MICO, INC. ALL RIGHTS RESERVED.

TITLE		CABLE LEVER LOCK	
SCALE	CHECKED	PART NUMBER	REV
1/2	.	02-640-023	G
DRN MAP	APP ENG	CUSTOMER COPY	
4-Aug-03	JC		