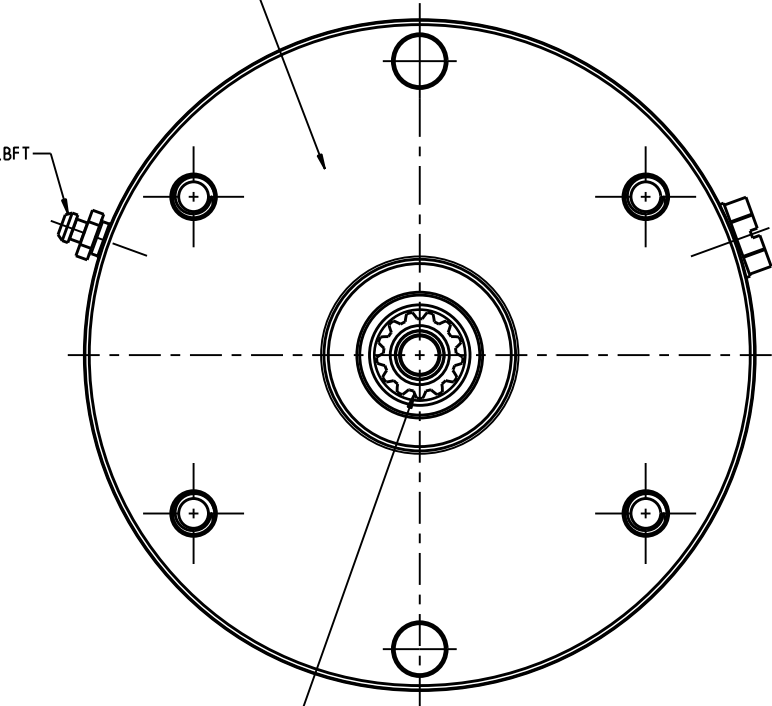
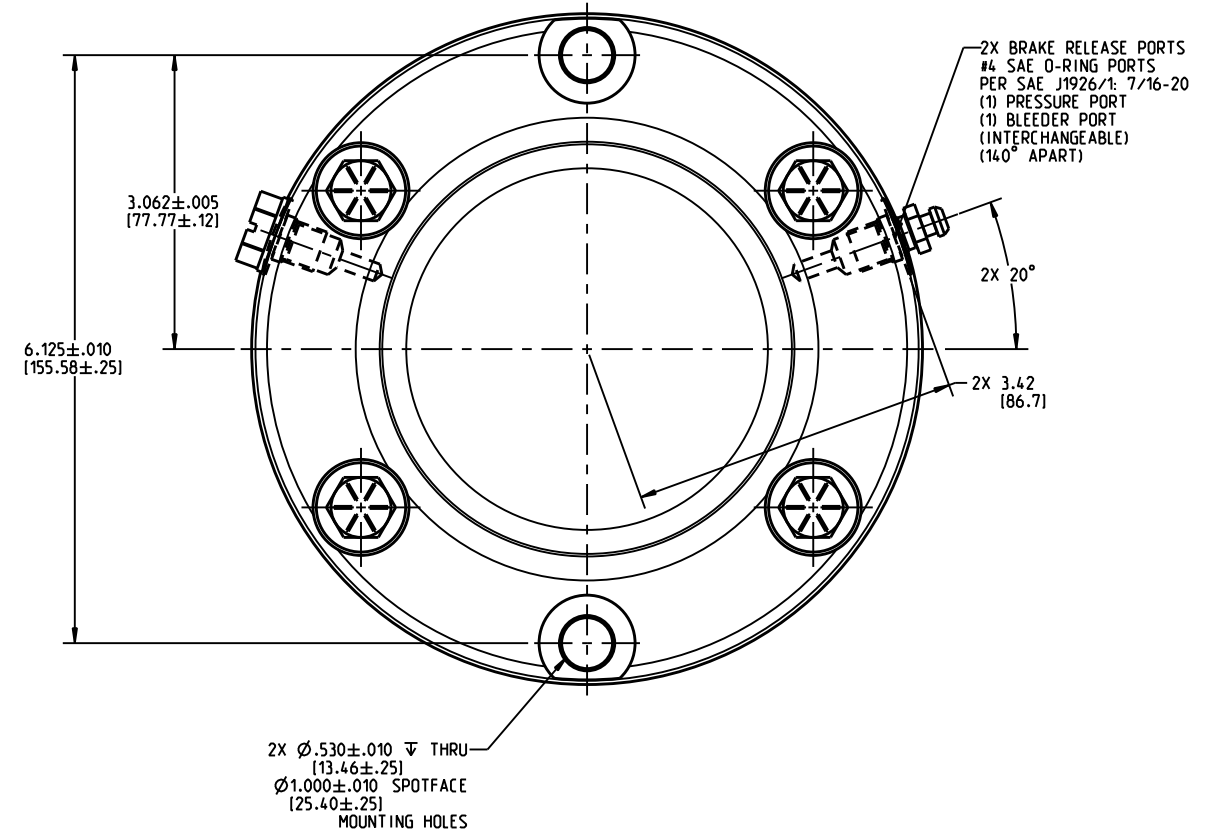
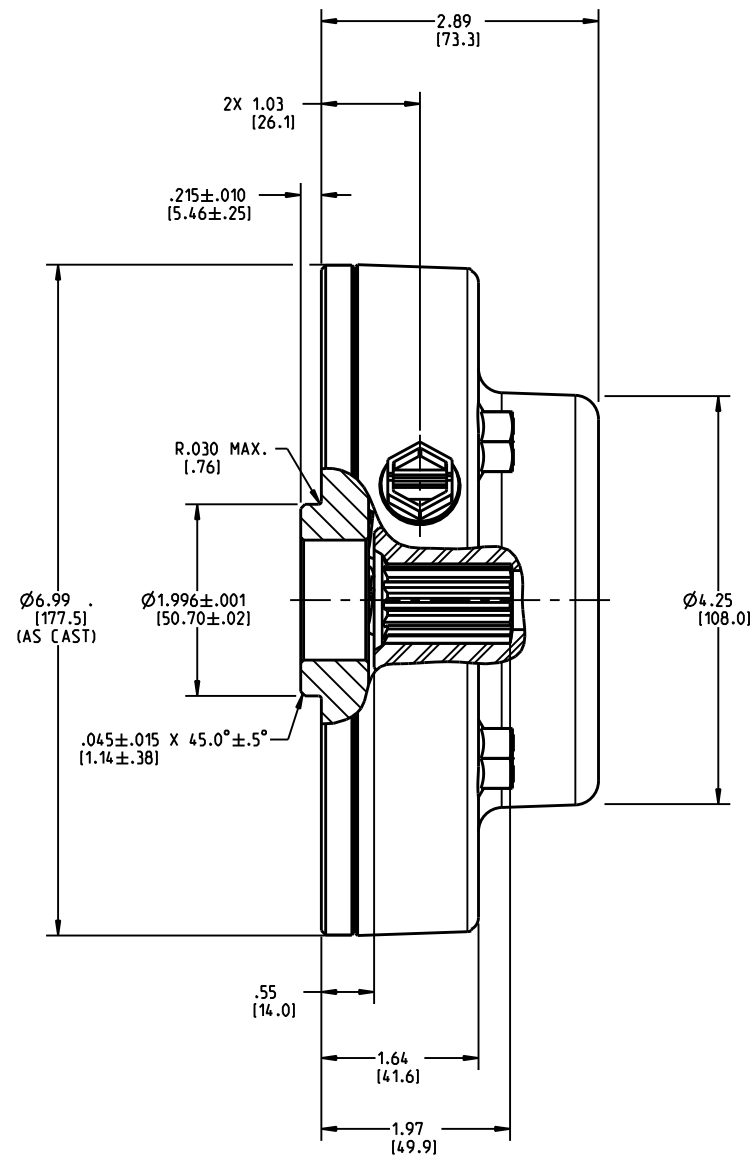


PART NUMBER AND DATE CODE STAMPED ON COVER IN THIS APPROXIMATE AREA

TORQUE: 9-15 LBFT



30° INVOLUTE SPLINE-INTERNAL  
13 TOOTH, 16/32 PITCH  
FLAT ROOT, SIDE FIT, CLASS 7  
PER ANSI B92.1-1970



2X BRAKE RELEASE PORTS  
#4 SAE O-RING PORTS  
PER SAE J1926/1: 7/16-20  
(1) PRESSURE PORT  
(1) BLEEDER PORT  
(INTERCHANGEABLE)  
(140° APART)

**NOTES:**

1. USE MINERAL BASE HYDRAULIC OIL ONLY FOR BRAKE RELEASE.
2. DIMENSIONS MAY VARY BETWEEN UNITS.  
MILLIMETER VALUES MAY NOT BE AN EXACT CONVERSION OF INCH VALUES.  
DIMENSIONS WITHOUT TOLERANCES ARE FOR REFERENCE PURPOSES ONLY.
3. LINING REPAIR KIT P/N 20-060-085
4. O-RING REPAIR KIT P/N 02-500-249
5. SPRING REPAIR KIT P/N 02-500-250

**SPECIFICATIONS:**

TYPE:	DRY MULTIPLE DISC BRAKE, SPRING APPLY, HYDRAULIC RELEASE
TORQUE RATING:	2,500 LBIN STATIC (BREAKAWAY) AT 0 PSI BACK PRESSURE
RELEASE PRESSURE:	195 PSI INITIAL, 250 PSI FULL
MAXIMUM OPERATING PRESSURE:	3,000 PSI
MAXIMUM SPEED:	4,000 RPM
LINING MATERIAL:	SINTERED BRONZE
APPROXIMATE WEIGHT:	18 LB

**INCH**  
**(MILLIMETER)**



North Mankato, Minnesota USA

COMPONENT AND SYSTEM RECOMMENDATIONS MADE BY MICO, INC ARE BASED ON INFORMATION SUPPLIED BY POTENTIAL USER AND/OR SYSTEM DESIGNER. THE POTENTIAL USER AND/OR DESIGNER MUST MAKE FINAL ACCEPTANCE AND APPROVAL OF COMPONENTS AND SYSTEM AFTER TESTING PERFORMANCE ON AN ACTUAL APPLICATION FOR WHICH SYSTEM WAS DESIGNED.

MICO, INC CLAIMS PROPRIETARY RIGHTS TO THE MATERIAL DISCLOSED IN THIS DOCUMENT. THIS DOCUMENT IS PROVIDED IN CONFIDENCE AND MAY NOT BE REPRODUCED OR DISCLOSED WITHOUT WRITTEN PERMISSION FROM MICO, INC. COPYRIGHT MICO, INC. ALL RIGHTS RESERVED.

SCALE	0.500	TITLE	MS-1325-M46V THRU SHAFT MOTOR BRAKE
DWN RGS1	2010-03-03	APVD PROD ENGRG	PJS 2010-04-05
X NO	X6648	APVD ENGRG	BLF 2010-03-22
SIZE	B	DRAWING NUMBER	02-550-130
REV	C	CUSTOMER COPY	