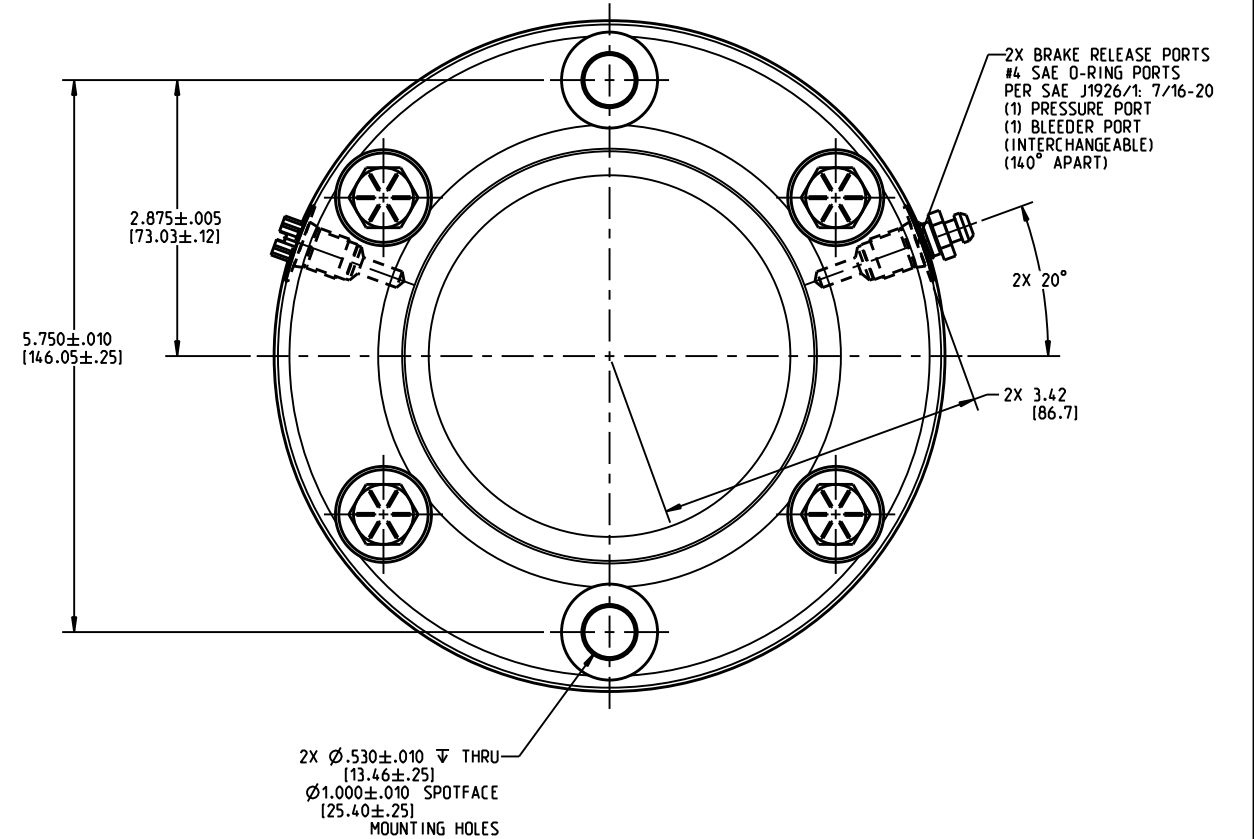
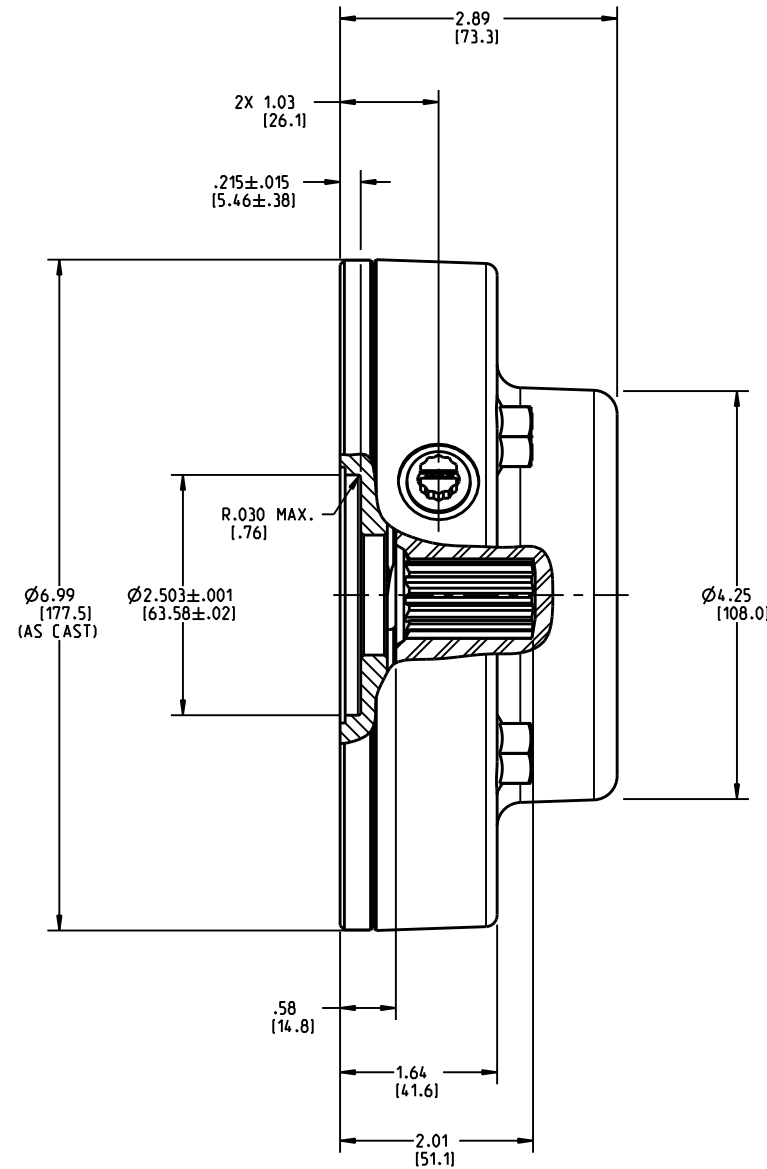


PART NUMBER & DATE CODE STAMPED ON COVER IN THIS APPROXIMATE AREA

TORQUE: 9-15 LBFT

30° INVOLUTE SPLINE-INTERNAL
13 TOOTH, 16/32 PITCH
FLAT ROOT, SIDE FIT, CLASS 7
PER ANSI B92.1-1970



INCH
(MILLIMETER)

NOTES:

1. USE MINERAL BASE HYDRAULIC OIL ONLY FOR BRAKE RELEASE.
2. DIMENSIONS MAY VARY BETWEEN UNITS. MILLIMETER VALUES MAY NOT BE AN EXACT CONVERSION OF INCH VALUES. DIMENSIONS WITHOUT TOLERANCES ARE FOR REFERENCE PURPOSES ONLY.
3. LINING REPAIR KIT P/N 20-060-083
4. O-RING REPAIR KIT P/N 12-501-382
5. SPRING REPAIR KIT P/N 02-500-221

SPECIFICATIONS:

TYPE:	DRY MULTIPLE DISC BRAKE, SPRING APPLY, HYDRAULIC RELEASE
TORQUE RATING:	4,200 LBIN STATIC (BREAKAWAY) AT 0 PSI BACK PRESSURE
RELEASE PRESSURE:	190 PSI INITIAL, 250 PSI FULL
MAXIMUM OPERATING PRESSURE:	3,000 PSI MAX. CONTINUOUS
MAXIMUM SPEED:	1,000 RPM
LINING MATERIAL:	SINTERED BRONZE
APPROXIMATE WEIGHT:	18 LB

mico North Mankato, Minnesota USA				
SCALE	TITLE	MN-1342-V THRU SHAFT BRAKE		
0.500		SIZE	DRAWING NUMBER	REV
DWN RGS1 2010-03-03	APVD PROD ENGRG PJS 2010-03-31	B	02-550-128	E
X NO X6306	APVD ENGRG BLF 2010-03-22		CUSTOMER COPY	0

COMPONENT AND SYSTEM RECOMMENDATIONS MADE BY MICO, INC ARE BASED ON INFORMATION SUPPLIED BY POTENTIAL USER AND/OR SYSTEM DESIGNER. THE POTENTIAL USER AND/OR DESIGNER MUST MAKE FINAL ACCEPTANCE AND APPROVAL OF COMPONENTS AND SYSTEM AFTER TESTING PERFORMANCE ON AN ACTUAL APPLICATION FOR WHICH SYSTEM WAS DESIGNED.

MICO, INC CLAIMS PROPRIETARY RIGHTS TO THE MATERIAL DISCLOSED IN THIS DOCUMENT. THIS DOCUMENT IS PROVIDED IN CONFIDENCE AND MAY NOT BE REPRODUCED OR DISCLOSED WITHOUT WRITTEN PERMISSION FROM MICO, INC. COPYRIGHT MICO, INC. ALL RIGHTS RESERVED.