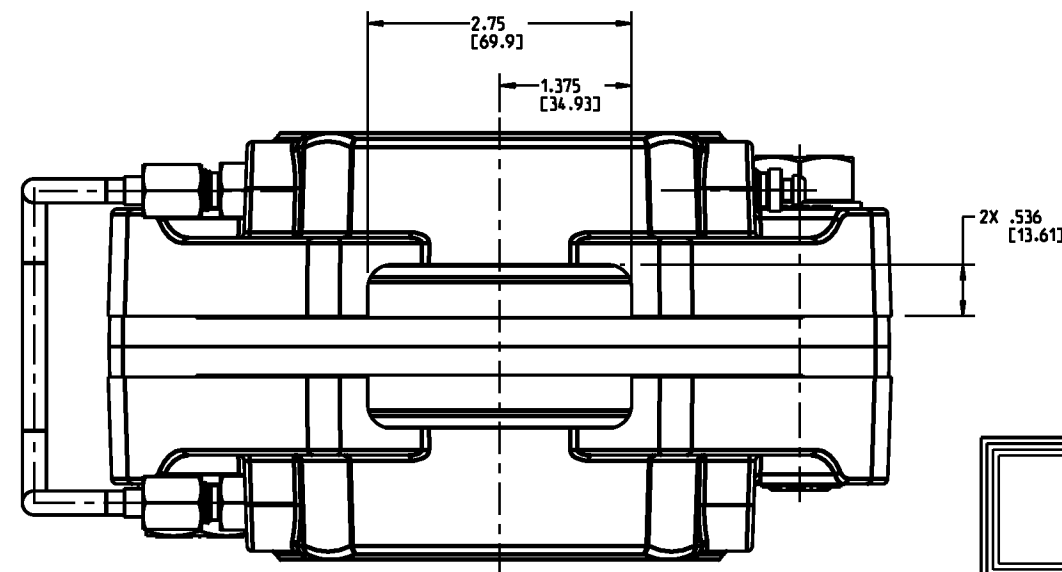
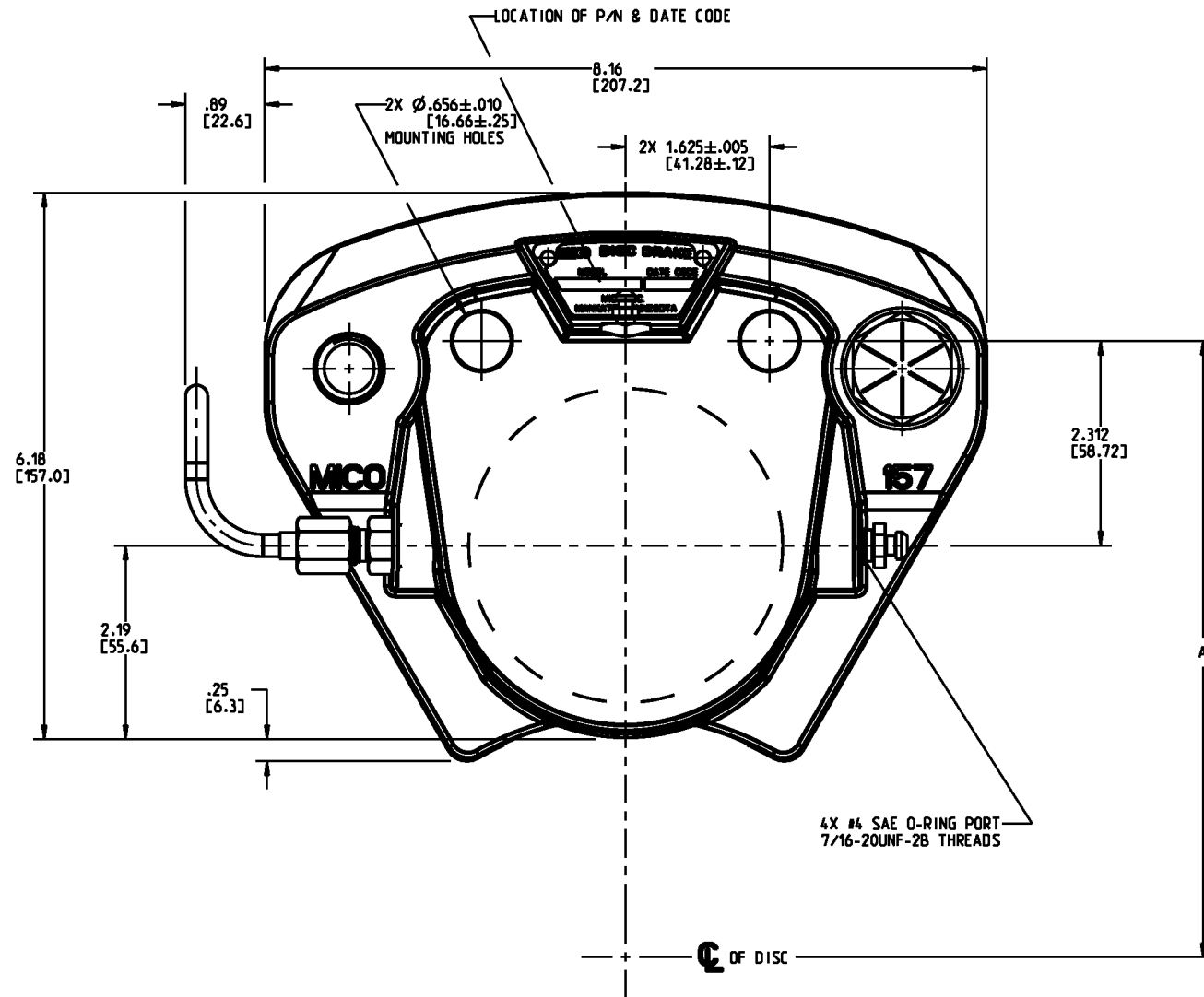
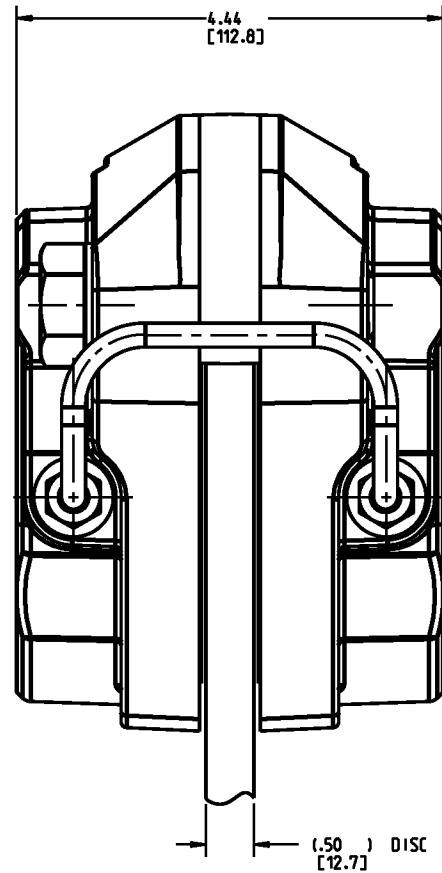


PART NUMBER
02-520-268
NPI OR ECN NO.
ECN C000157



INCH
(MILLIMETER)

NOTES:

- 1) FOR USE WITH MINERAL BASE HYDRAULIC OIL ONLY.
- 2) DIMENSIONS MAY VARY SLIGHTLY BETWEEN UNITS AND ARE TO BE USED FOR REFERENCE PURPOSES ONLY.
- 3) REPAIR KIT P/N 02-500-234.
- 4) LINING KIT P/N 20-060-013.

PERFORMANCE CHARACTERISTICS:

- 1) DISC DIAMETER: 12.00 TO 36.00 IN.
- 2) DISC THICKNESS: .500 IN.
- 3) "A" DIMENSION = DISC RADIUS + .62 IN.
- 4) MAXIMUM INPUT PRESSURE: 2000 PSI CONTINUOUS, 2500 PSI INTERMITTENT.
- 5) BRAKE TORQUE: Bt (LBIN) = 6.72 X INPUT PRESSURE (PSI) X (DISC RADIUS-2.00) IN.
- 6) CAUTION: DISC RUBBING SPEED SHOULD NOT EXCEED 5000 FT./MIN.

COMPONENT AND SYSTEM RECOMMENDATIONS MADE BY MICO, INC. ARE BASED ON INFORMATION SUPPLIED BY POTENTIAL USER AND/OR SYSTEM DESIGNER. THE POTENTIAL USER AND/OR DESIGNER MUST MAKE FINAL ACCEPTANCE AND APPROVAL OF COMPONENTS AND SYSTEM AFTER TESTING PERFORMANCE ON AN ACTUAL APPLICATION FOR WHICH SYSTEM WAS DESIGNED.

MICO, INC. CLAIMS PROPRIETARY RIGHTS TO THE MATERIAL DISCLOSED IN THIS DOCUMENT. THIS DOCUMENT IS PROVIDED IN CONFIDENCE AND MAY NOT BE REPRODUCED OR DISCLOSED WITHOUT WRITTEN PERMISSION FROM MICO, INC. COPYRIGHT MICO, INC. ALL RIGHTS RESERVED.

MICO North Mankato, Minnesota U.S.A.			
TITLE DISC BRAKE			
SCALE 0.500	CHECKED JRA	PART NUMBER 02-520-268	REV B
DRN JRA 05-Dec-02	APP ENG JC	CUSTOMER COPY *	